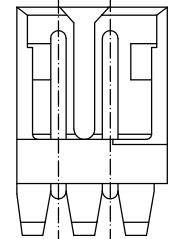
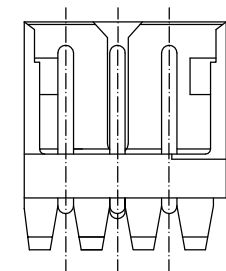
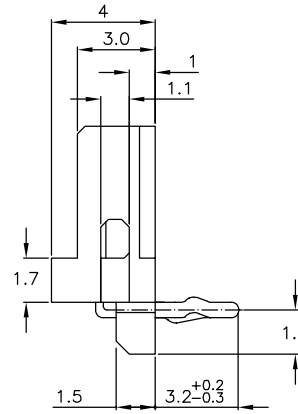
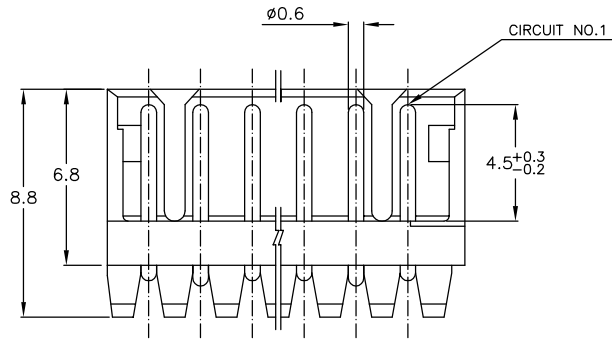
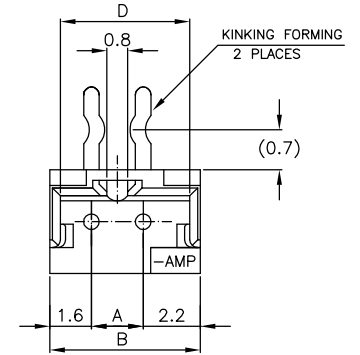
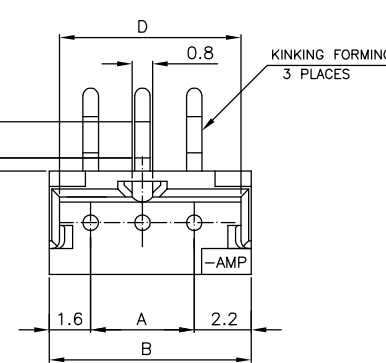
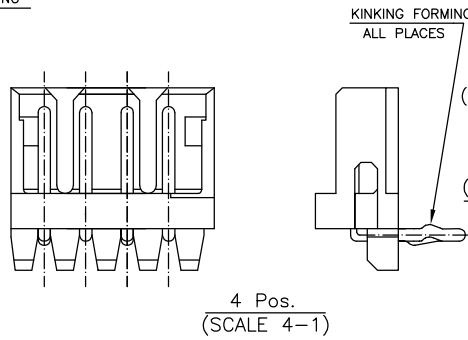
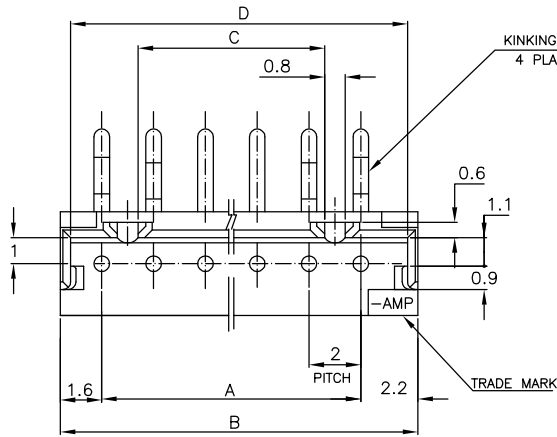


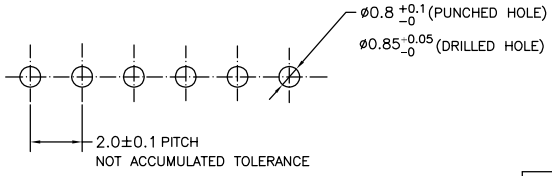
THIS DRAWING IS UNPUBLISHED. RELEASED FOR PUBLICATION
 © COPYRIGHT BY TYCO ELECTRONICS CORPORATION. ALL RIGHTS RESERVED.

LOC	DIST	REVISIONS					
ES	00	P	LTR	DESCRIPTION	DATE	DWN	APVD
		A	REVISED	ECR-07-000873	16JAN07	C.Z	S.Y



7-292253-5	5-292253-5	3-292253-5	1-292253-5	15	28	31.8	25.2	31.0		
7-	4-	5-	4-	3-	4-	14	26	29.8	23.2	29.0
7-	-3	5-	-3	3-	-3	13	24	27.8	21.2	27.0
7-	-2	5-	-2	3-	-2	12	22	25.8	19.2	25.0
7-	-1	5-	-1	3-	-1	11	20	23.8	17.2	23.0
7-	0	5-	0	3-	0	10	18	21.8	15.2	21.0
6-	-9	4-	-9	2-	-9	9	16	19.8	13.2	19.0
6-	-8	4-	-8	2-	-8	8	14	17.8	11.2	17.0
6-	-7	4-	-7	2-	-7	7	12	15.8	9.2	15.0
6-	-6	4-	-6	2-	-6	6	10	13.8	7.2	13.0
6-	-5	4-	-5	2-	-5	5	8	11.8	5.2	11.0
6-	3	4-	-4	2-	-4	4	6	9.8	3.2	9.0
6-	-3	4-	-3	2-	-3	3	4	7.8	—	7.0
6-292253-2	4-292253-2	2-292253-2	292253-2	2	2	5.8	—	5.0		
BLACK	YELLOW	BLUE	NATURAL	Pos.	A	B	C	D		

- NOTES:
- MATERIAL: HOUSING - NYLON 66 (UL94V-0)
POST - TIN BRASS
 - APPLICABLE RECEPTACLE P/N 173977
 - THIS PART HAS BEEN OBSOLETE.



RECOMMENDABLE PCB LAYOUT
 (PCB THK:0.8-1.6)

TOLERANCES UNLESS OTHERWISE SPECIFIED:

10 > *	: ±0.2
30 > * > 10	: ±0.25
100 > * > 30	: ±0.3
ANGLE	: ±3°

THIS DRAWING IS A CONTROLLED DOCUMENT.

DWN	S.XU	31JAN03	 Tyco Electronics Corporation SHANGHAI, CHINA
CHK	S.YAO	31JAN03	
APVD	T.SASAKI	31JAN03	
NAME	T.SASAKI		
PRODUCT SPEC	108-60016		
APPLICATION SPEC	-		
WEIGHT	-		
CUSTOMER DRAWING	SCALE	5:1	SHEET 1 OF 1
			REV A