

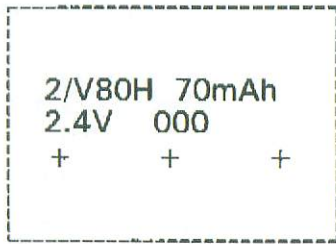
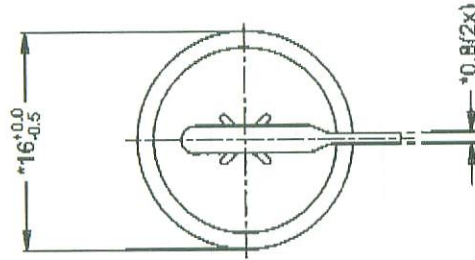
VARTA Microbattery

mobility for you

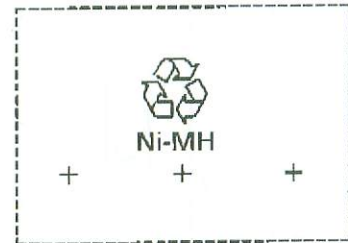
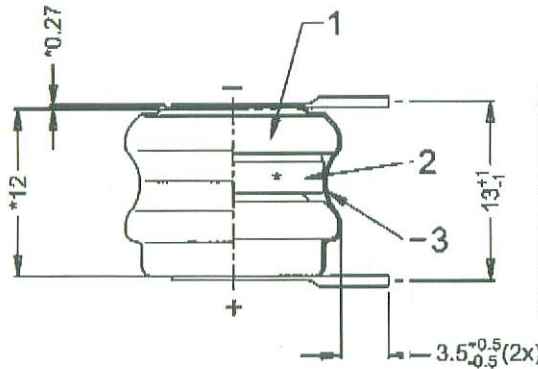
Not Released Copy

SAF data still maintain with old revision.
 Updating to be execute upon receiving Customer Approval.

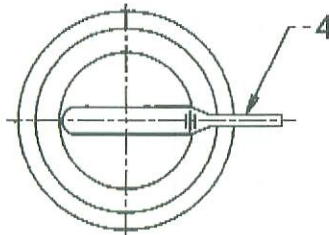
Customer Approval / Date :



Front artwork



Rear artwork



Note: 1) *Dimensions for reference only
 2) Battery with orange sleeve & black printed

Approx. wt : 9 g

Customer : Japan		Material:		Description:	
Projection:		Refer to part list no: 074545		2/V80H SK S TP with shrink sleeve & T-pin	
Dimensions in mm		Prepared & Checked	Verified & Approved	Dwg. l lo:	074545
Tolerance: As specified		2004-01-12	Ratna	VKB C rder No:	55608 302 017
Scale: 2 : 1					4 0 1
Rights reserved to make technical changes, as a result of further development, without notice. This drawing is the property of VARTA Microbattery and must not be copied or disclosed to a third party without the written consent of VARTA Microbattery.					