

MATERIALS:

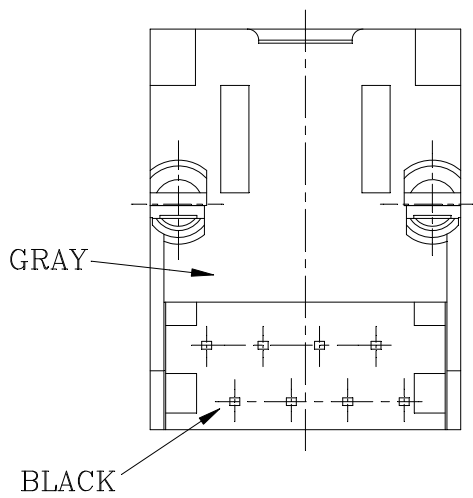
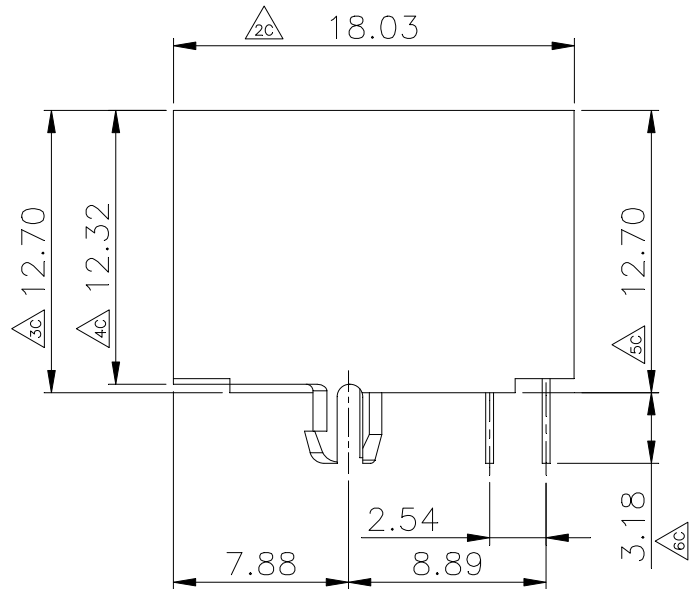
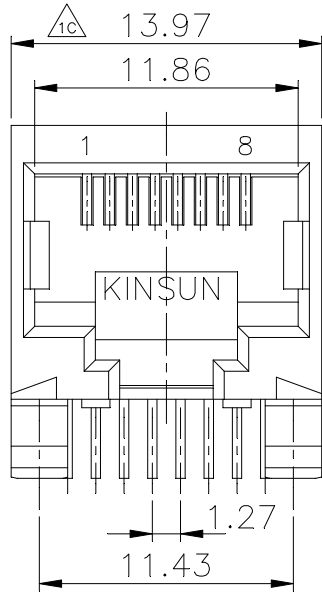
PLASTIC HOUSING: ENGINEERING THERMOPLASTIC
 FLAMMABILITY RATING UL 94V-0.(PANTONE COOL GRAY 5U)

CONTACTS: PHOSPHOR BRONZE

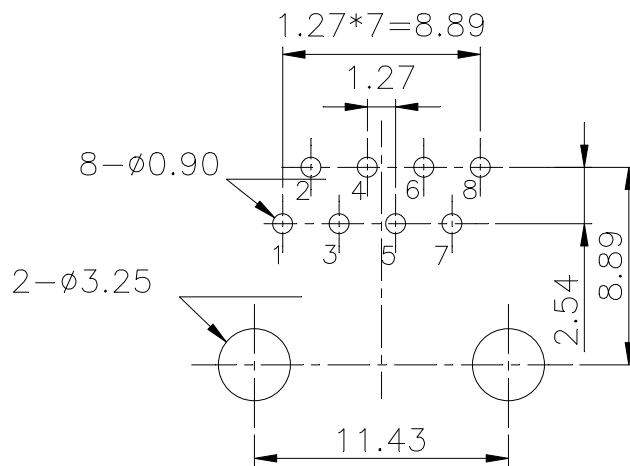
PLATING: GOLD PLATING OVER NICKEL IN CONTACT.

TIN PLATING OVER NICKEL IN SOLDER AREA.

RoHS COMPLIANT



PCB LAYOUT/TOP VIEW



6u" P/N 3010-880

※ 凡標註記號者, 為品管檢驗之尺寸

設計 DR. LILY 2010-08-26	核准 APPD. Jerry 2010-08-26	容許公差 .XXX ±0.10 .XX ±0.25 .X ±0.38 X ±0.50 ANG ±3°	TOLERANCE	品名 ARTICLE SIDE ENTRY PCB JACK(8P8C)
版本說明 REVISION NOTE				圖號 DWG NO. 3010-880
依設備通知單 NO: 3010-010 KS 改為 , 發 C 版				單位 UNIT 比例 SCALE 張數 SHEET 版本 REV.
				mm 3/1 1/1 C