

MATERIALS:

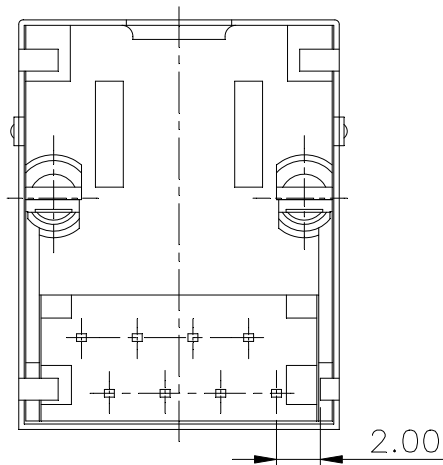
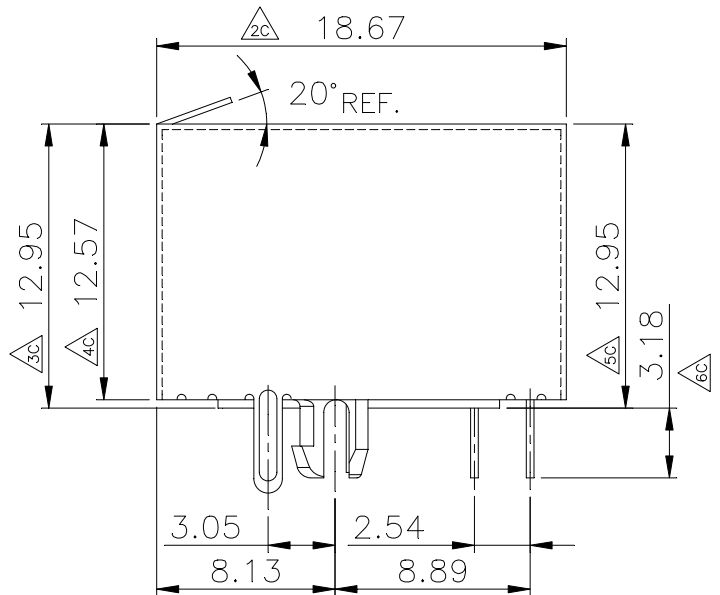
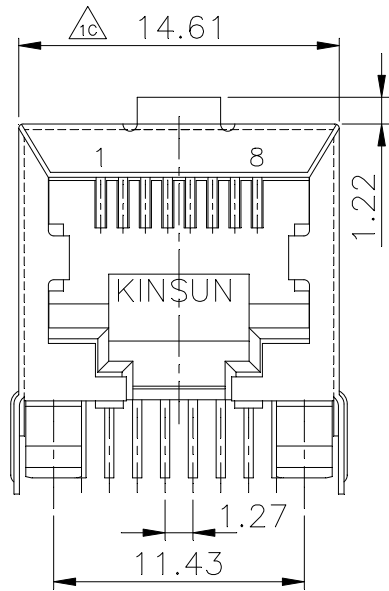
PLASTIC HOUSING: ENGINEERING THERMOPLASTIC
 FLAMMABILITY RATING UL 94V-0.

CONTACTS: PHOSPHOR BRONZE

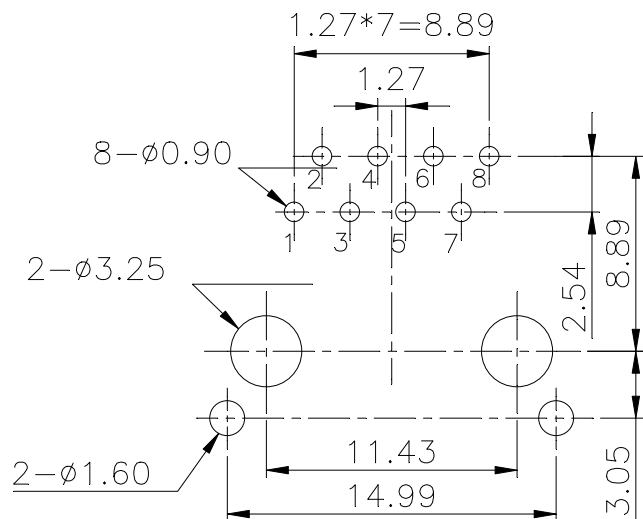
PLATING: GOLD PLATING OVER NICKEL IN CONTACT.
 TIN PLATING OVER NICKEL IN SOLDER AREA.

SHIELDED: BRASS WITH NICKEL PLATED

RoHS COMPLIANT



PCB LAYOUT/TOP VIEW



- 3u" P/N 3010655502
- 6u" P/N 3010655802
- 15u" P/N 3010656402
- 30u" P/N 3010657002
- 50u" P/N 3010657602

※ 凡標註△記號者,為品管檢驗之尺寸

設計 DR. LILY 2010-08-26	核准 APPD. Jerry 2010-08-26	容許公差 .XXX ±0.10 .XX ±0.25 .X ±0.38 X ±0.50 ANG ±3°	TOLERANCE	品名 ARTICLE SIDE ENTRY PCB JACK(8P8C)
版本說明 REVISION NOTE				圖號 DWG NO. 3010S-880
依設變通知單 NO: 3010-010 KS改為 ,發F版				單位 UNIT mm
		比例 SCALE 3/1		張數 SHEET 1/1
				版本 REV. F

