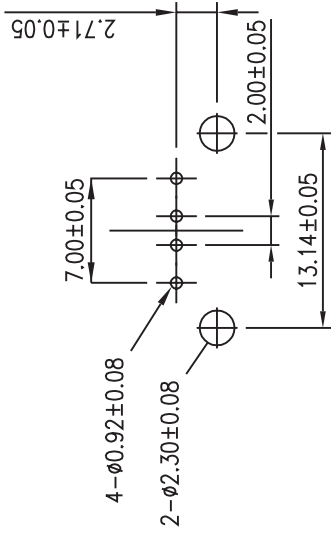
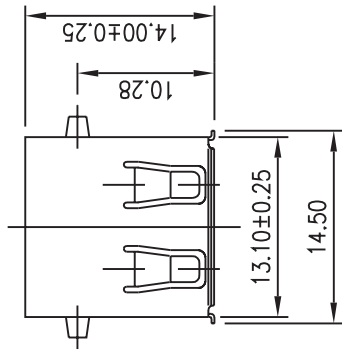
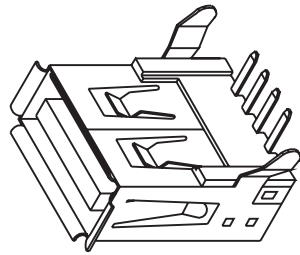


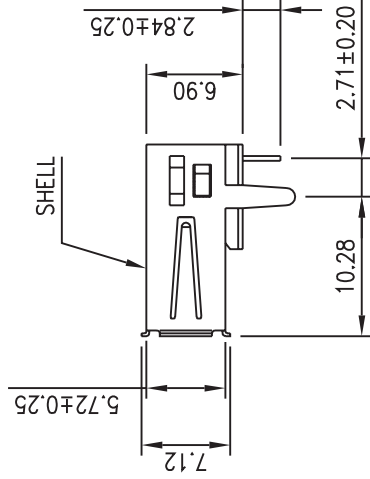
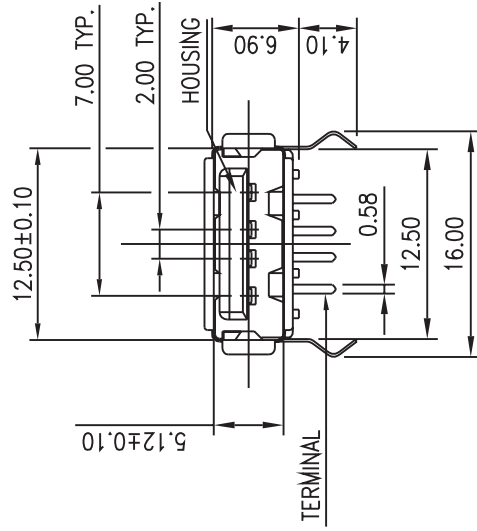
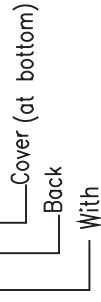
# USB A TYPE, FEMALE SING DECK (RIGHT ANGLE, THRU-HOLE)



PC BOARD LAYOUT

## ORDER INFORMATION

3210-W1BC



## Specification:

- Housing: PBT+Glass Fiber, UL94V-0
- Contact: Phosphor Bronze (0.25mm)
- Shell: Phosphor Bronze (0.3mm)
- Voltage Current Rating: 1A, 30Vac
- Insulation Resistance: 1000M $\Omega$  Min.
- Contact Resistance: 30m $\Omega$  Max.
- Dielectric Withstanding Voltage: AC 500V for 1 minute
- Temperature Rating: -55°C to +105°C