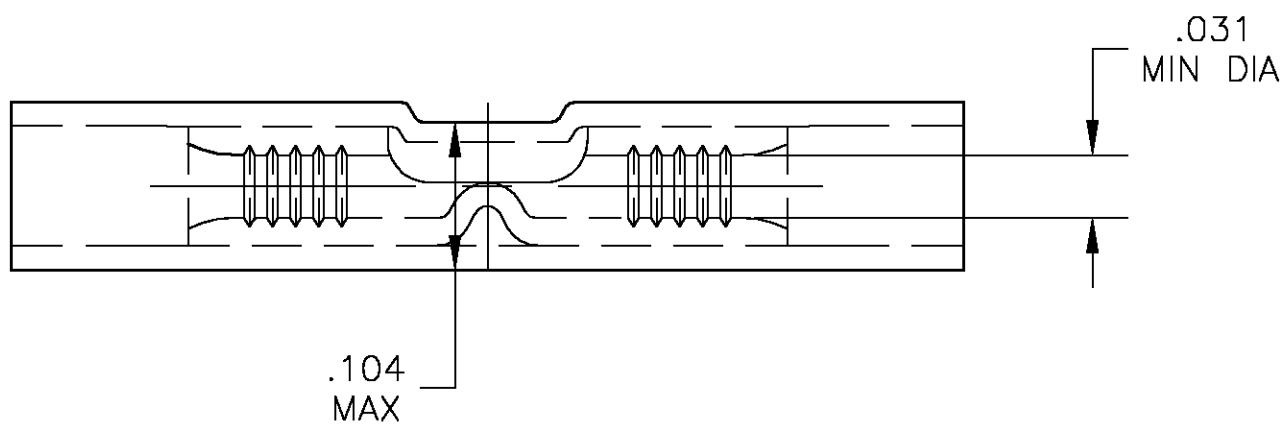
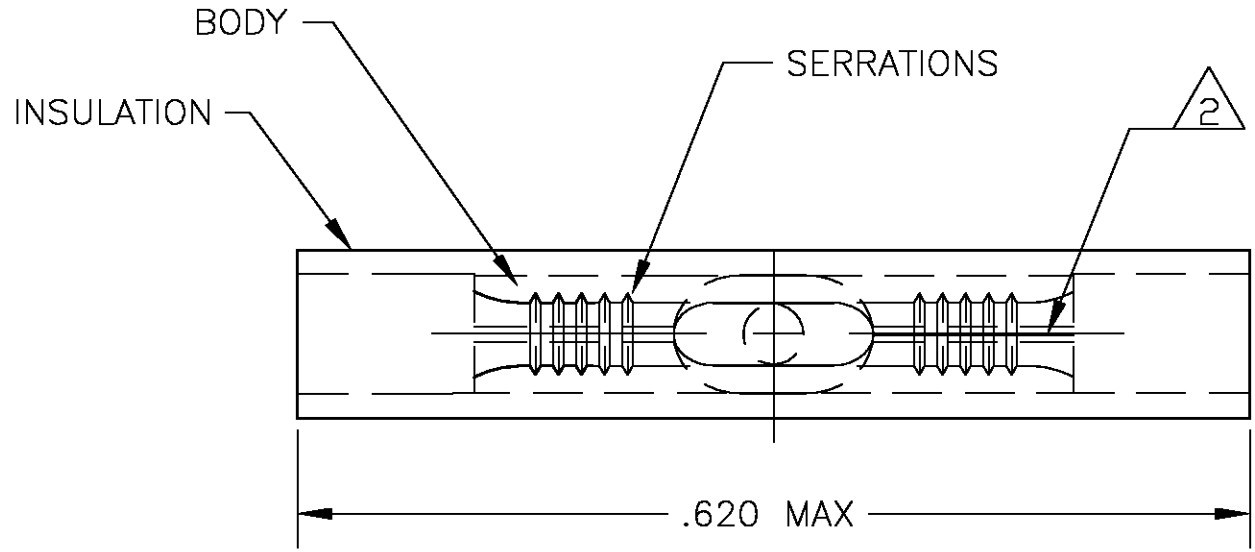


THIS DRAWING IS UNPUBLISHED. RELEASED FOR PUBLICATION
 © COPYRIGHT BY TYCO ELECTRONICS CORPORATION. ALL RIGHTS RESERVED.

LOC	DIST	REVISIONS					
		P	LTR	DESCRIPTION	DATE	DWN	APVD
G	14		F2	REV PER ECR 05-003131	16MAY05	JR	TM



- 1 FOR .050 TO .080 WIRE INSULATION DIA.
- △2 BRAZED SEAM ON BUTT SPLICE BODY
- △3 MATERIAL: INSULATION - PVC
 COLOR - YELLOW
 BODY - COPPER PER ASTM B152
 FINISH - TIN PL. PER ASTM B545

100	LOOSE PIECE	8-321026-1
4000	ON TAPE	2-321026-1
1000	LOOSE PIECE	321026
QTY	DESCRIPTION	PART NO

THIS DRAWING IS A CONTROLLED DOCUMENT.		DWN jr_ruth 27OCT04	Tyco Electronics Corporation Harrisburg, Pa 17105-3608	
DIMENSIONS: INCHES		CHK T MICHIELUTTI 27OCT04		
		APVD T MICHIELUTTI 27OCT04	NAME WIRE BUTT SPLICE, PLASTI-GRIP, WIRE SIZE: 26-22	
TOLERANCES UNLESS OTHERWISE SPECIFIED:		PRODUCT SPEC	RESTRICTED TO	
0 PLC ± - 1 PLC ± - 2 PLC ± - 3 PLC ± .008 4 PLC ± - ANGLES ± 5°		APPLICATION SPEC 114-2161	SIZE A3	CAGE CODE 00779
MATERIAL - △3		WEIGHT -	DRAWING NO C-321026	REV F2
FINISH - △3		CUSTOMER DRAWING		SCALE 1:1 SHEET 1 OF 1