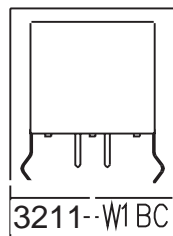
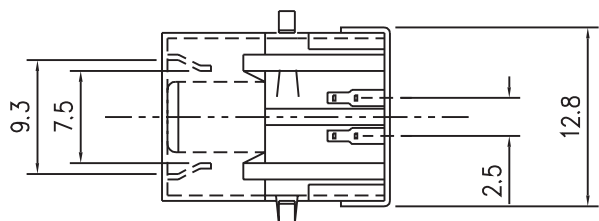
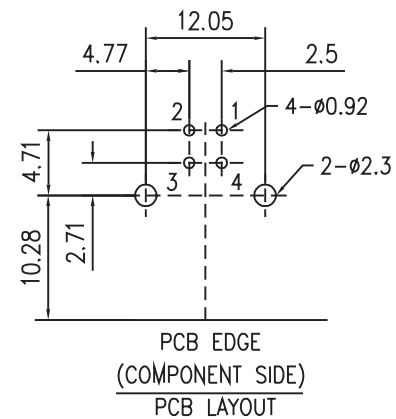
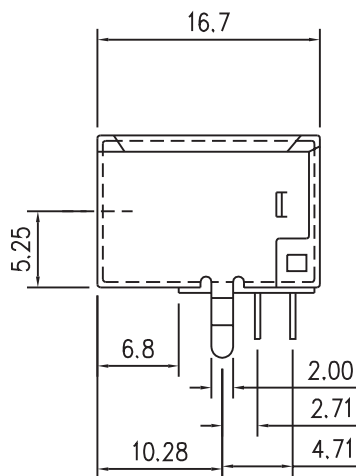
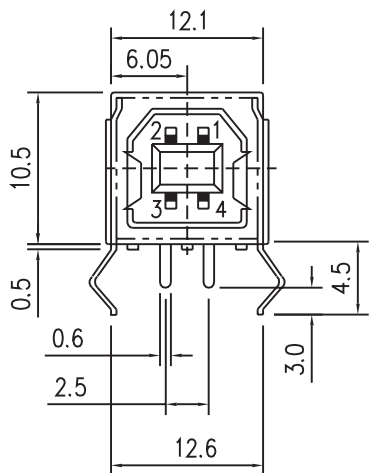
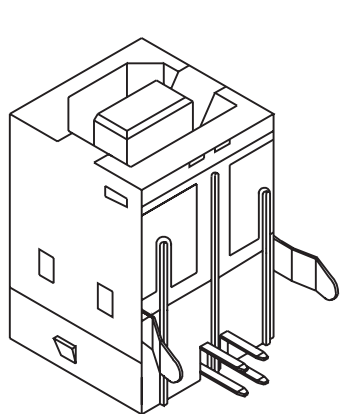


USB B TYPE, FEMALE, RIGHT ANGLE (THRU-HOLE)



ORDER INFORMATION

NO	NAME	MATERIAL	FINISH	REMARK	Q'TY
1	HOUSING	P.B.T	WHITE		1
2	PIN TERMINAL	PHOS BRASSt:0.25	GOLD/TIN PLATED	GOLD:1~3u' NI:1~1.5u' TIN:3u	4
3	SHELL	BRASSt:0.3	NICKEL PLATED		1