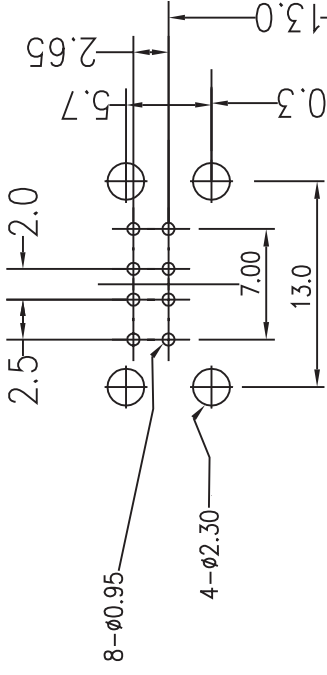
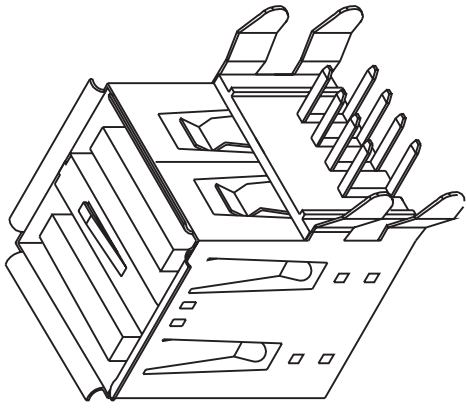


USB A TYPE, FEMALE, DOUBLE DECK (RIGHT ANGLE, THRU-HOLE)



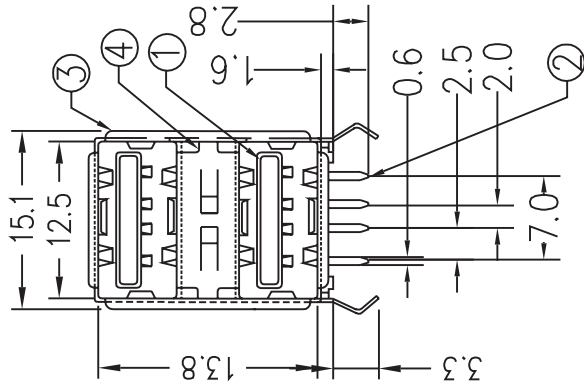
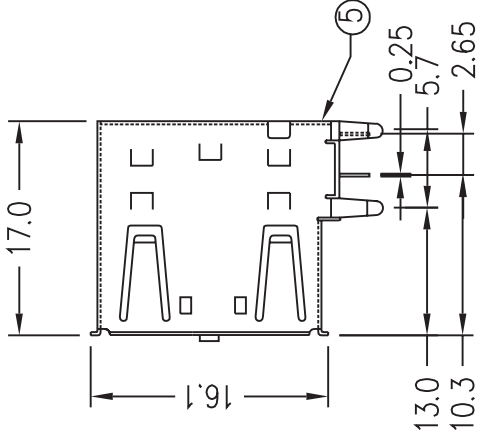
PCB EDGE

PC BOARD LAYOUT
(BOTTOM VIEW)

ORDER INFORMATION

3212-2B

BLACK
DOUBLE DECK



NO.	NAME	MATERIAL	FINISH	REMARK	Q'TY
1	HOUSING	P.B.T	WHITE		1
2	PIN TERM.	PHOS. BRONZE	GOLD/TIN PLATED	Ni:1~1.5u;TIN:3u GOLD:1~3u	8
3	SHELL	BRASS 0.3mm	TIN PLATED	TIN:3~5u	1
4	SHELL	BRASS 0.3mm	TIN PLATED	TIN:3~5u	1
5	SHELL	SPCC 0.3mm	NICKEL PLATED		1