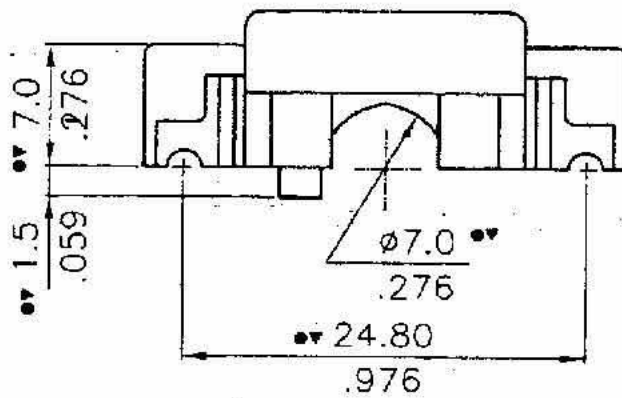
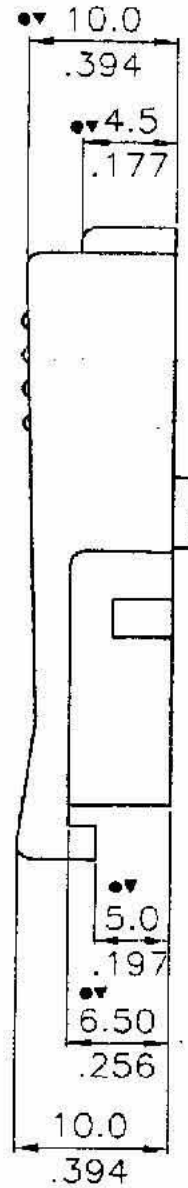
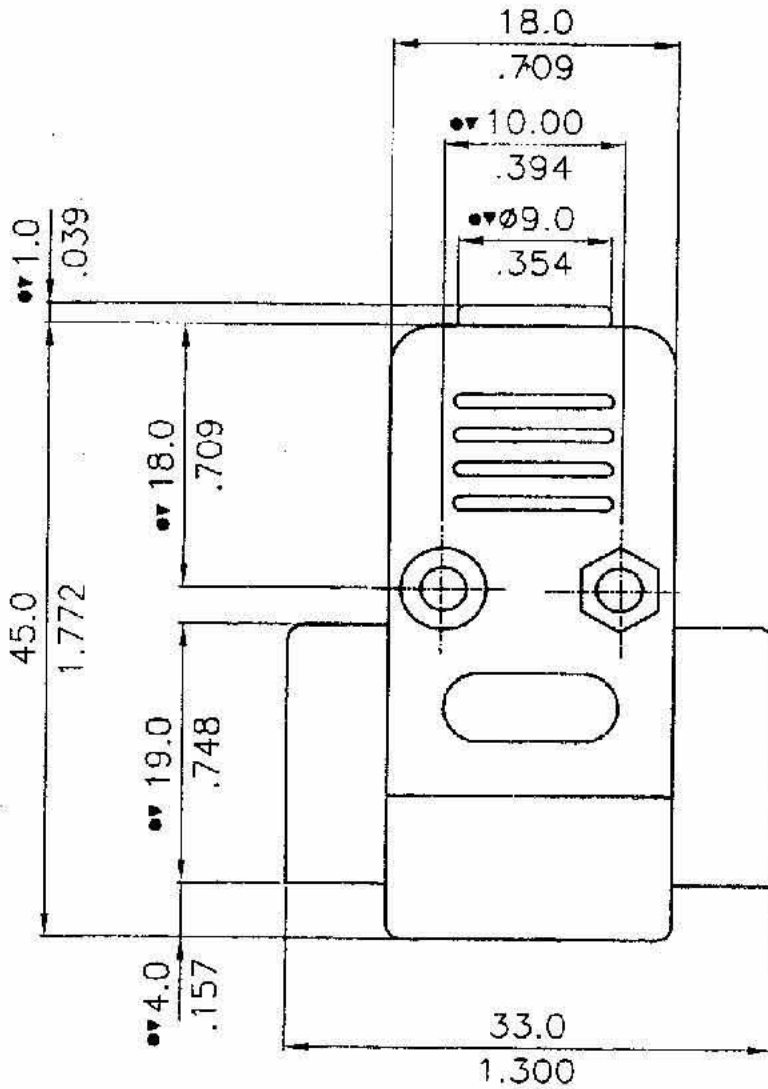


ENGINEERING DRAWING



Material :

Insulator : ABS UL94-HB

Color :

X= G : Gray

X= B : Black

X= C : Nickel Plated

TOLERANCE

X.	±0.3
.X	±0.2
.XX	±0.10
.XXX	±0.005

Check: James Chen 2007/10/24

Drawing: Amy Shen 2007/10/24

TITLE: PLASTIC HOOD for D-Sub.

Series No.: 3220-CT

Drawing No: 3220-09CT

Rev.