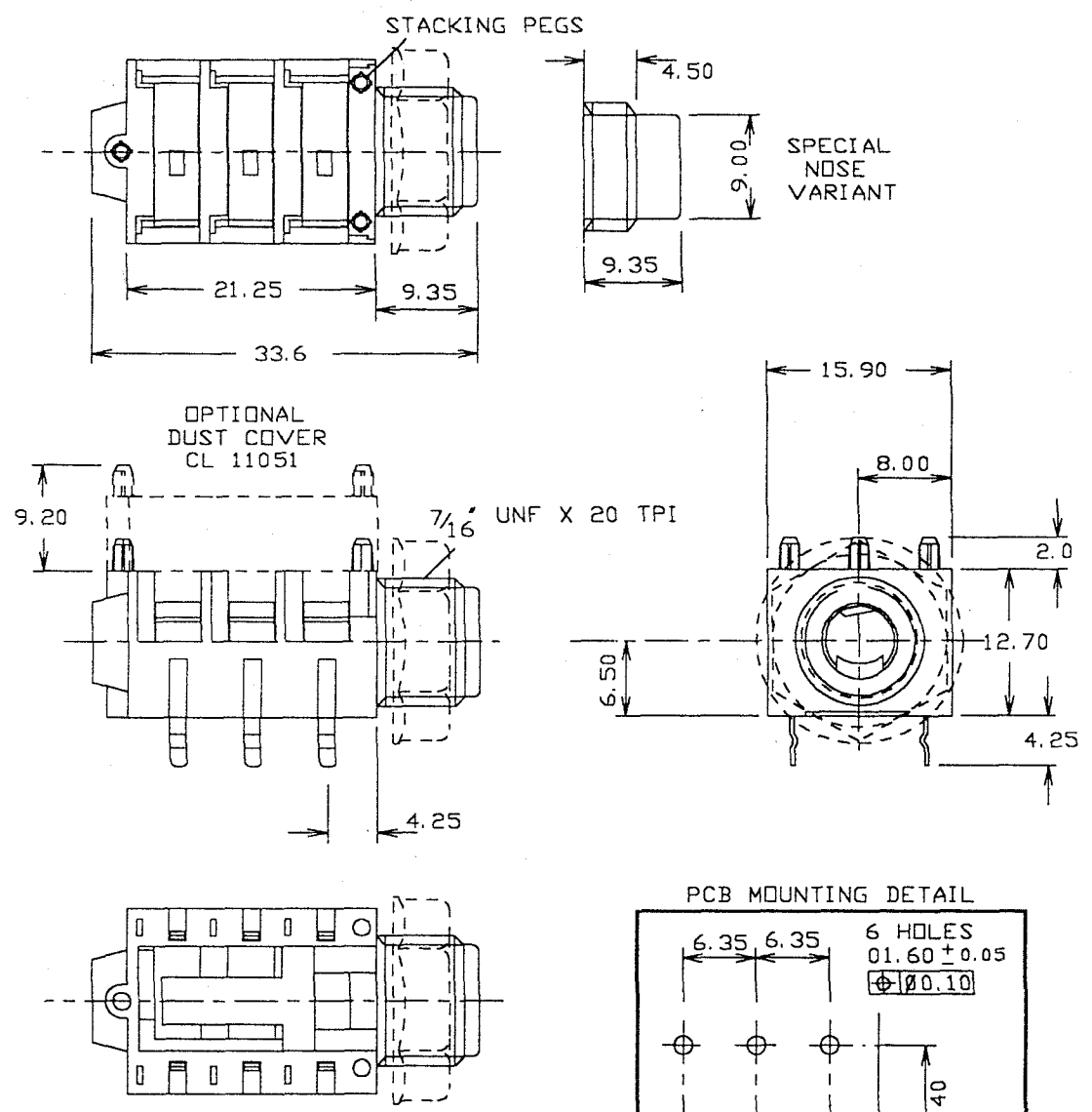


ISS.	AMEND	DATE
1	1st DRAWN	26/2/96
2	DESIGN AMEND	7/8/96
3	ISSUED	12/3/97
4	P2 VARS ADD	3/4/98



NOTES  
 MIN ADJACENT MOUNTING  
 SPACING DEPENDS ON NUT USED.  
 DRWG SHOWS PLASTIC NUT.  
 KINKED LEGS ARE STANDARD.

SEE PAGE 2 FOR VARIANTS.



**Tolerance**  
 NO DEC. PLACE ± 1.0  
 1 DEC. PLACE ± 0.5  
 2 DEC. PLACE ± 0.1  
 DIA. HOLES ± 0.1  
 ANGLES ± 1/2°  
 UNLESS OTHERWISE STATED

WHERE USED F.R.  
 SCALE N.T.S.

DIMENSIONS IN MILLIMETERS UNLESS OTHERWISE STATED. WORK TO DIMENSIONS. DO NOT SCALE DRAWING. 3rd ANGLE PROJECTION. REMOVE BURRS. IF IN DOUBT ASK.

MATERIAL COMPOSITE		TITLE S1 MINI JACK SOCKET	
FINISH CLEAN		DRWG. No. CL 1105 Pg1	
DRAWN C.A.M.J.	APPD. RWT	FORM: A4DRWGH	

ISS	AMEND	DATE
1	1st DRAWN	2/4/98
2	CL11151 ADDED	4/2/99
3	RS VARS ADD	26/8/99

PART No	DESCRIPTION	CONTACTS	SPN or STD	EARTH WASHER CL14424	WITH NUT & WASHER	T TYPE	REMARKS
CL11005W	S1/BNB/BLK+WN+CL14424 AS *WITH S1 NUT + ASSD EARTH WASH	BNB	STD	●	YES		S1 NUT
CL1110	S1/BNB/BLK WNW	BNB	STD		YES		
CL111005W	S1/BNB/BLK+WN+CL14424 AS *WITH S1 NUT+ASSD EARTH WASH	BNB	STD	●	YES		S1 NUT
CL1110T	S1T/BNB/BLK/WW	BNB	STD		YES	●	
CL11101	S1/BNB BLK WNW RS 3424471 0001	BNB	STD		YES		PACKS OF 1PC
CL1115	S1/BBB/BLK/WW	BBB	STD		YES		
CL111504	S1/BBB BLK WNW RS 3424487 0001	BBB	STD		YES		PACKS OF 1 PC
CL111505W	S1/BBB/BLK+WN+CL14424 AS *WITH S1 NUT+ASSD EARTH WASH	BBB	STD	●	YES		S1 NUT
CL11151	S1/BBB BLK W/O N&W	BBB	STD		NO		
CL11155	S1/BBB/BLK/SP-NOSE NNW	BBB	SPN		NO		

Tolerance	
NO DEC. PLACE ±	
1 DEC. PLACE ±	
2 DEC. PLACE ±	
DIA. HOLES ±	
ANGLES ± 1/2°	
UNLESS OTHERWISE STATED	
WHERE USED F.R.	
SCALE N.T.S.	

DIMENSIONS IN MILLIMETERS UNLESS OTHERWISE STATED. WORK TO DIMENSIONS. DO NOT SCALE DRAWING. 3rd ANGLE PROJECTION. REMOVE BURRS. IF IN DOUBT ASK.

MATERIAL SEE PAGE 1

FINISH SEE PAGE 1

DRAWN C.A.M.J.

APPD. RWT

TITLE S1 JACK SOCKET VARIANTS & P/Nos.

DRWG. No. CL1105 Pg2

FORM: A4DRWGH