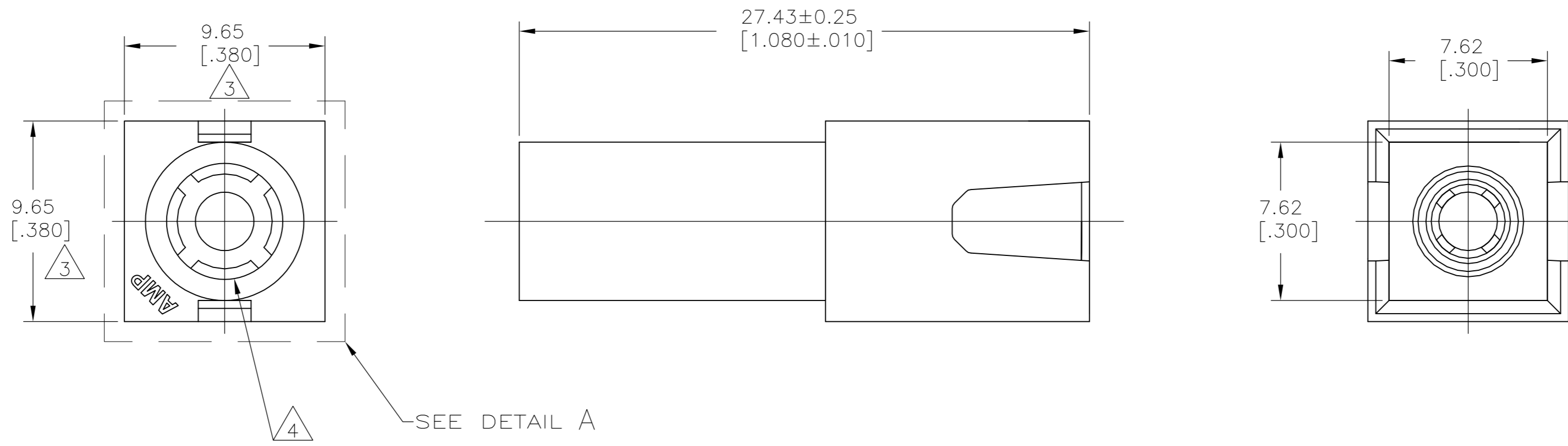
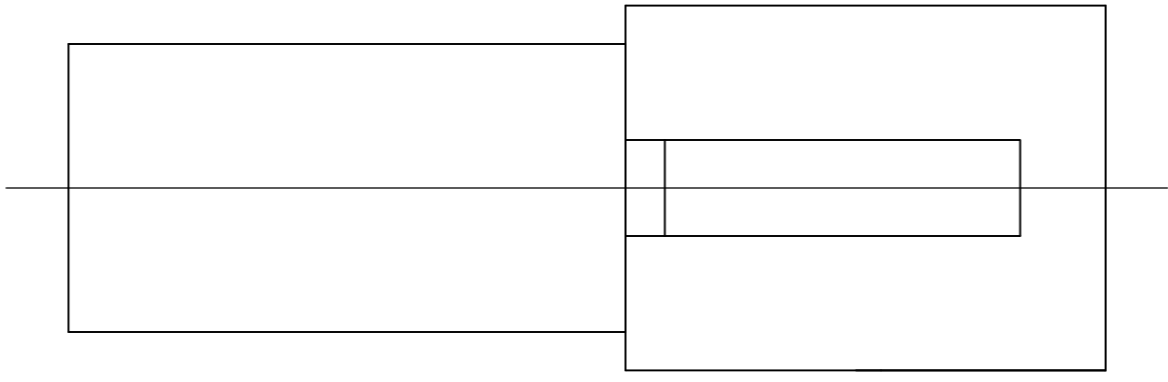


THIS DRAWING IS UNPUBLISHED. RELEASED FOR PUBLICATION  
 © COPYRIGHT BY TYCO ELECTRONICS CORPORATION. ALL INTERNATIONAL RIGHTS RESERVED.

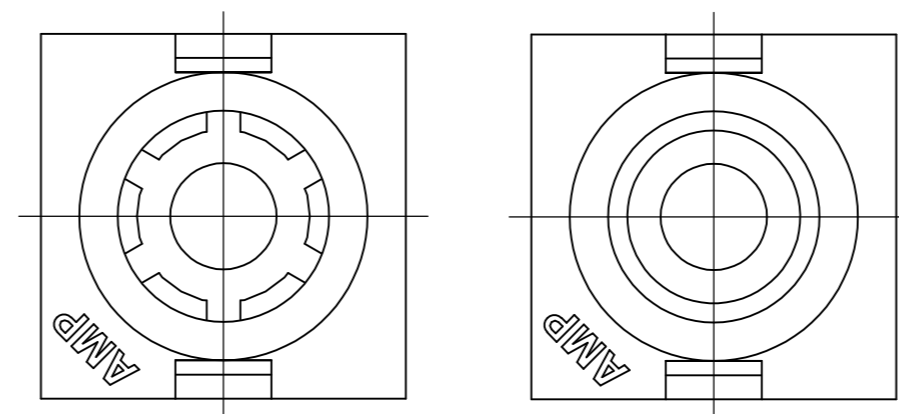
LOC	DIST	REVISIONS			
P	LTR	DESCRIPTION	DATE	DWN	APVD
CM	53	P1	REVISED PER ECO-08-030399	09DEC08	HMR DC



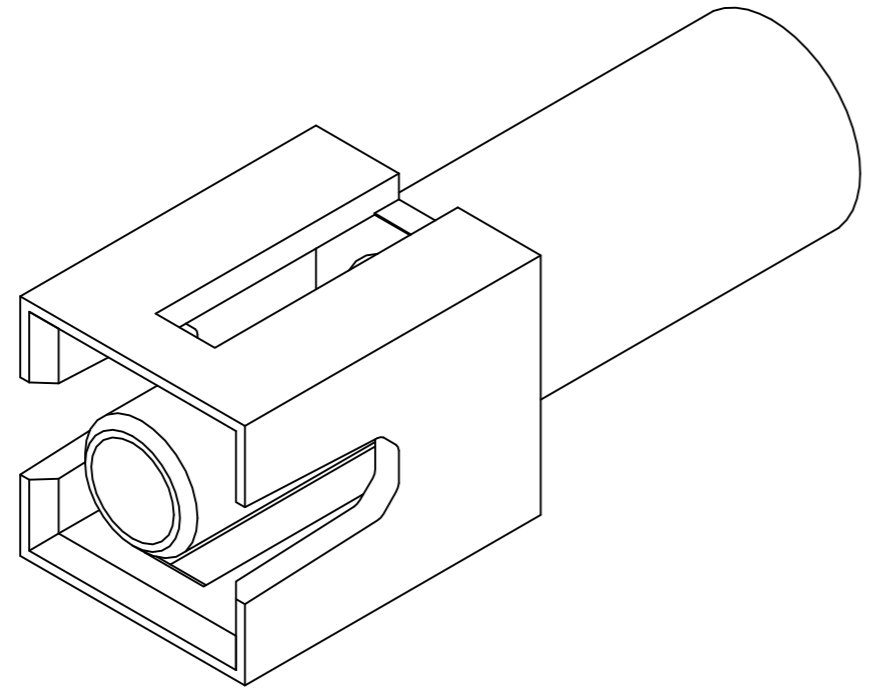
SEE DETAIL A



- 1 MATES WITH HOUSING 350865.
- 2 DIMENSIONS IN BRACKETS ARE IN INCHES.
- 3 DIMENSION INDICATED IS AS MOLDED. ADDITIONAL GROWTH DUE TO SUBSEQUENT MOISTURE ABSORPTION MAY OCCUR.
- 4 FOUR RIBS EQUALLY SPACED, NO SPECIFIC ORIENTATION. NO RIBS OR SIX RIBS EQUALLY SPACED, NO SPECIFIC ORIENTATION, OPTIONAL.



DETAIL A  
OPTIONAL CONSTRUCTIONS



3-DIMENSIONAL MODEL  
NTS

RED	350866-2
-	350866-1
COLOR	PART NO.

THIS DRAWING IS A CONTROLLED DOCUMENT.		DWN K. WHITAKER 8-12-91	Tyco Electronics Corporation Harrisburg, PA 17105-3608	
DIMENSIONS: mm [INCHES]		CHK R. SWING 8-12-91	NAME CAP, SINGLE CIRCUIT, UNIVERSAL MATE-N-LOK™	
TOLERANCES UNLESS OTHERWISE SPECIFIED:		APVD D. SELF 8-12-91	SIZE A2	CAGE CODE 00779
0 PLC ± -	1 PLC ± -	PRODUCT SPEC	DRAWING NO C=350866	RESTRICTED TO
2 PLC ± 0.13 [.005]	3 PLC ± -	APPLICATION SPEC	SCALE 5:1	SHEET 1 of 1
4 PLC ± -	ANGLES ± -	WEIGHT -	REV P1	
MATERIAL NYLON, UL 94V-0	FINISH -	CUSTOMER DRAWING		

