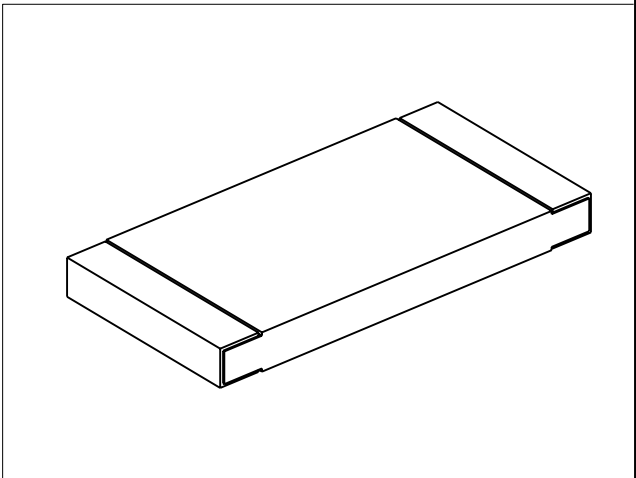


LOC	DIST	REVISIONS			
P	LTR	DESCRIPTION	DATE	DWN	APVD
E	B	BA1	REVISED PER ECO-11-005150	28MAR2011	RK HMR



FOR FURTHER INFORMATION SEE DATA SHEET FOR
3520 SERIES-SMD POWER RESISTORS

RoHS Compliant



2008


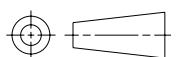
RELEASED FOR PUBLICATION

ALL RIGHTS RESERVED.

THIS DRAWING IS UNPUBLISHED.

BY -

© COPYRIGHT 2008

DIMENSIONS: mm	DWN SUBHASH.M	01-DEC-08	MATERIAL	-	FINISH	-
	CHK PRAKASH.S	01-DEC-08	 TE Connectivity			
TOLERANCES UNLESS OTHERWISE SPECIFIED:	APVD STEPHEN.P	01-DEC-08				
0 PLC ± 0.2	PRODUCT SPEC	-	NAME SMD POWER RESISTOR SERIES 3520			
1 PLC ± 0.1	APPLICATION SPEC	-				
2 PLC \pm	WEIGHT	-	SIZE	CAGE CODE	DRAWING NO	RESTRICTED TO
3 PLC \pm			A 4	00779	C-1622820	-
4 PLC \pm			CUSTOMER DRAWING			
ANGLES $\pm 5^\circ$			SCALE	10:1	SHEET	1 OF 1
			REV BA1			