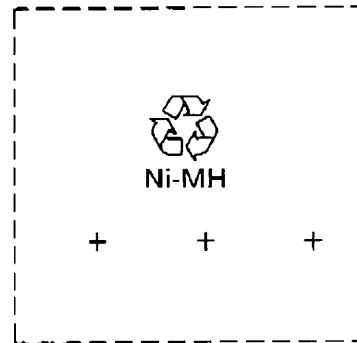
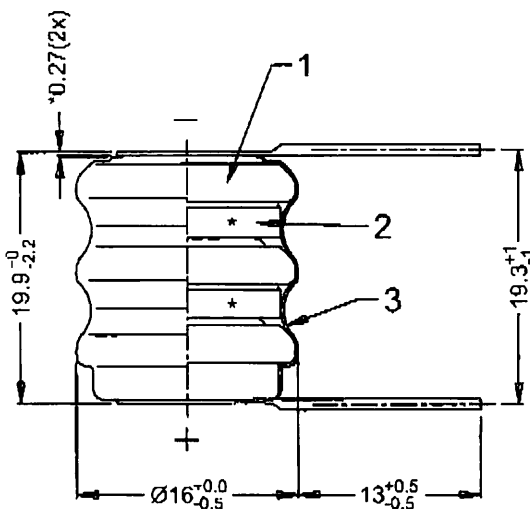
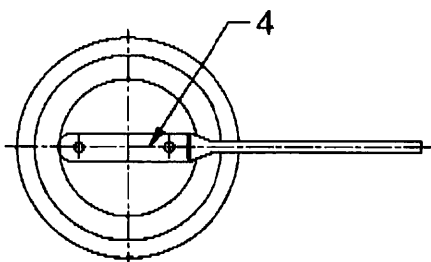


Front artwork



Rear artwork



Note: 1) *Dimensions for reference only.

2) Battery with orange sleeve and black printing.

Approx. wt : 13 g

No	AO No	Revisions	Date	Name
0	1.37/04	Refer to drawing # P03-00097, revision 000	2004-11-18	TitusWS

Projection:		Material: Refer to part list no: 074763		Description: 3/V80H SK S TP with shrink sleeve & terminal pins	
Dimensions in mm		Prepared & Checked: 2004-11-02 Darwin		Dwg. No: 074763	
Tolerance: As specified		Verified & Approved:		VKB Order No: 55608 303 029	
Scale: 2 : 1				4 0 0	

Reserves reserved to make technical changes, as a result of further development, without notice. This drawing is the property of VARTA Microbattery and must not be copied or disclosed to a third party without the written consent of VARTA Microbattery.