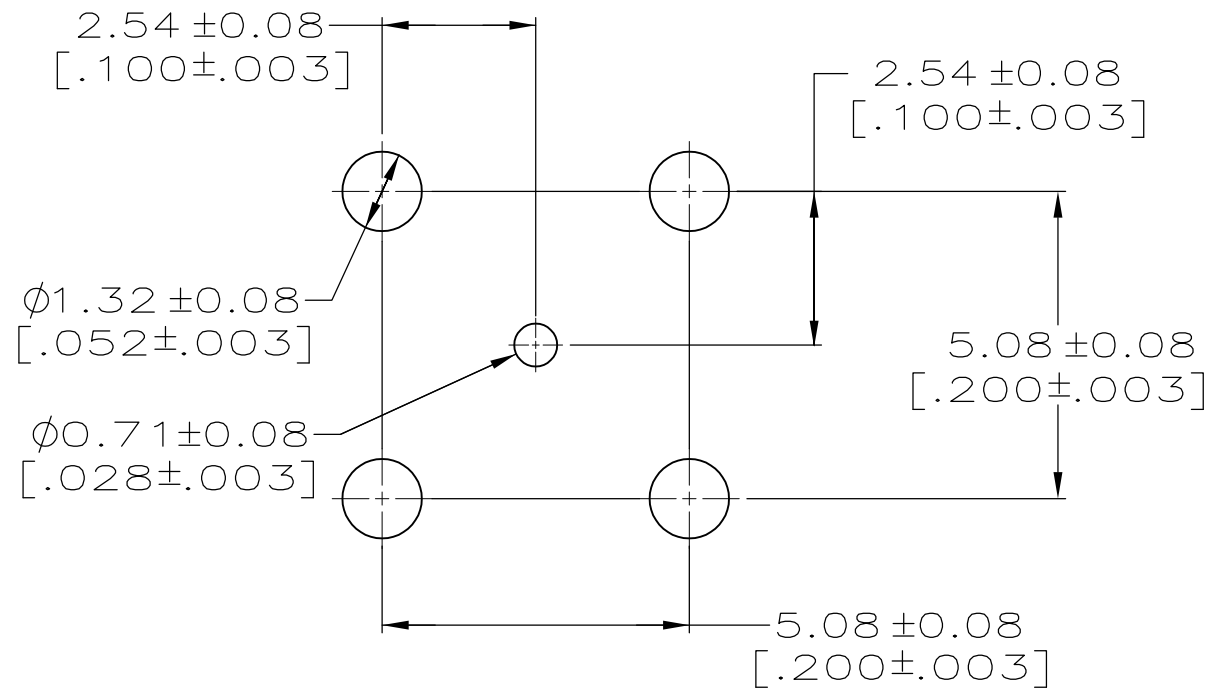
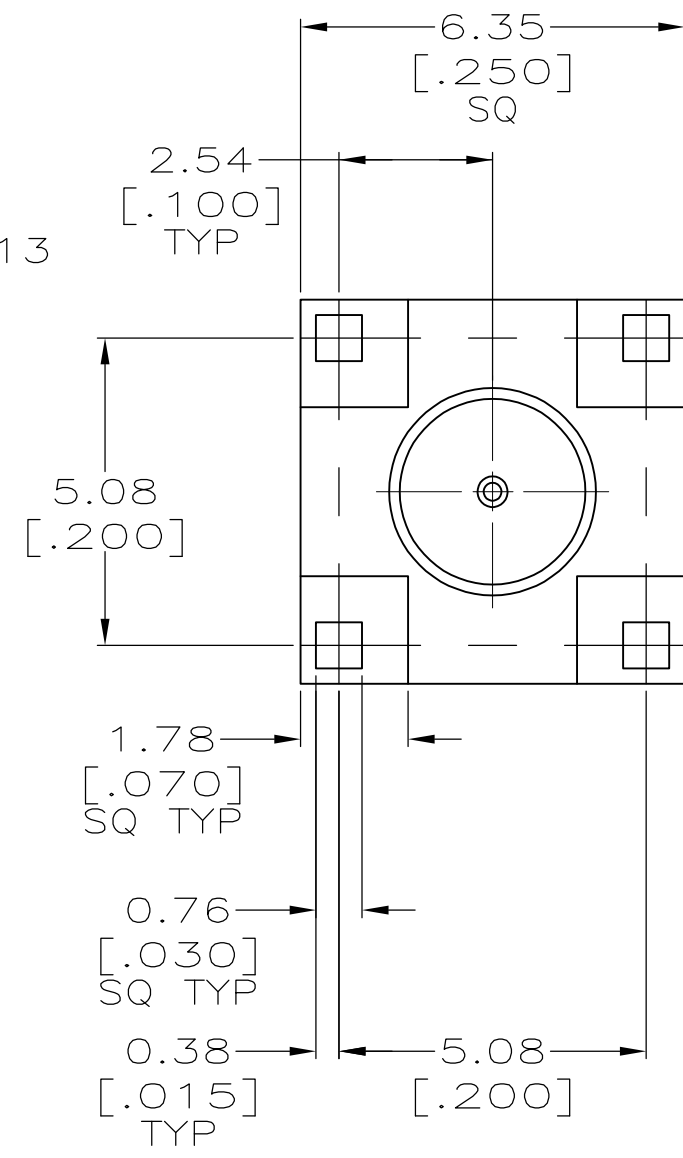
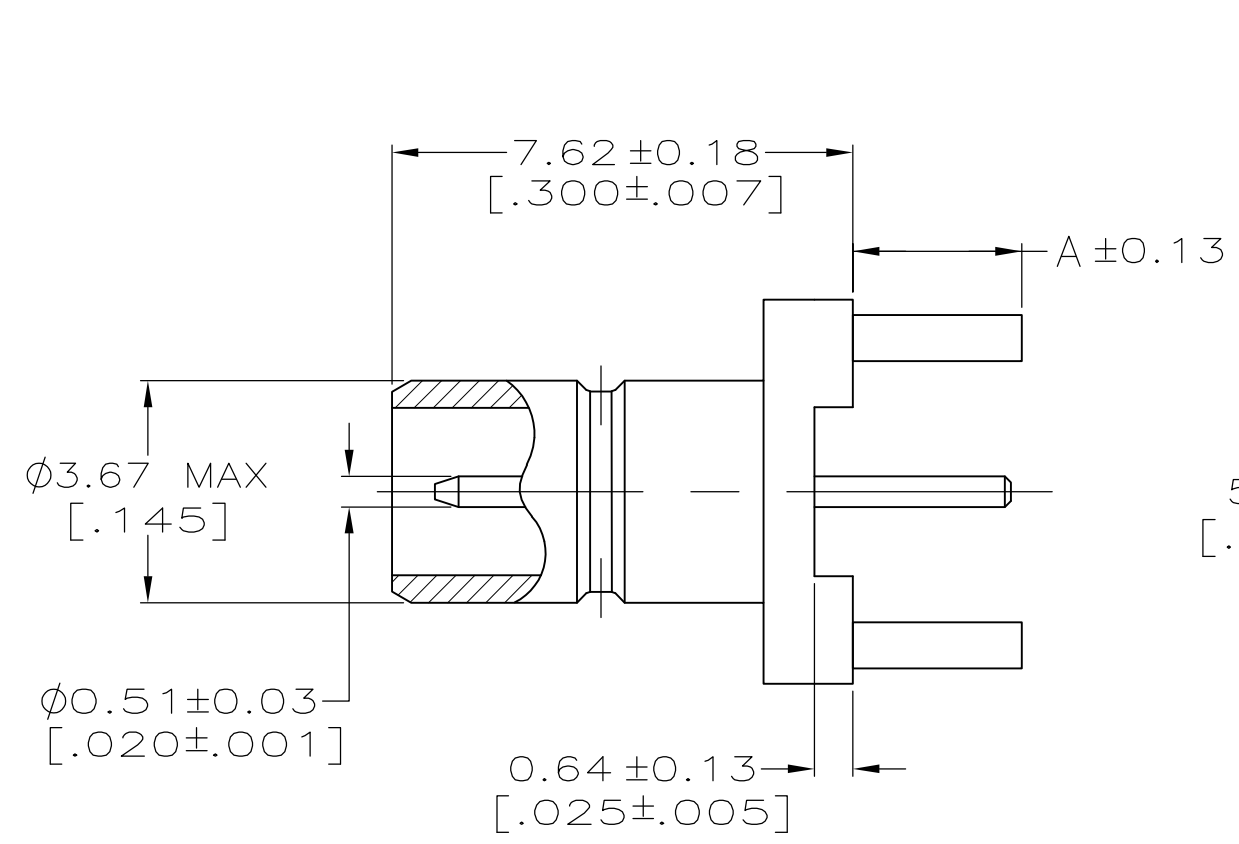


THIS DRAWING IS UNPUBLISHED. RELEASED FOR PUBLICATION  
 © COPYRIGHT 2005 BY TYCO ELECTRONICS CORPORATION. ALL RIGHTS RESERVED.

LOC	DIST	REVISIONS					
AJ	16	P	LTR	DESCRIPTION	DATE	DWN	APVD
			B	REVISED PER ECO 07-017702 & 0S14-0457-04	07AUG2007	DW	JL



- ⚠️ MATERIALS:  
 BODY: BRASS PER QQ-B-626.  
 CONTACT: BRASS PER QQ-B-626.  
 DIELECTRIC: TEFLON PER ASTM-D-1710.
- ⚠️ FINISHES:  
 BODY: GOLD PER MIL-G-45204.  
 CONTACT: GOLD PER MIL-G-45204.
- ⚠️ FINISHES:  
 BODY: GOLD FLASH PER MIL-G-45204  
 OVER NICKEL PER QQ-N-290.  
 CONTACT: GOLD PER MIL-G-45204.
- ⚠️ SEE SEPERATE RESTRICTED  
 CUSTOMER DRAWING WITH THIS  
 PART NUMBER.

—	—	415504-6
3.05 [.120]	⚠️ 3	415504-4
3.05 [.120]	⚠️ 2	415504-3
2.11 [.083]	⚠️ 3	415504-2
2.11 [.083]	⚠️ 2	415504-1

OBSOLETE

A	FINISH	PART NUMBER
---	--------	-------------

THIS DRAWING IS A CONTROLLED DOCUMENT.		DWN B.MOYER 27JUN96	Tyco Electronics Corporation Harrisburg, PA 17105-3608	
DIMENSIONS: mm [INCHES]		CHK G. MICHAEL 28JUN96	NAME	
TOLERANCES UNLESS OTHERWISE SPECIFIED:		APVD G. MICHAEL 28JUN96	PRODUCT SPEC	
0 PLC ± - 1 PLC ± - 2 PLC ± 0.05 [.002] 3 PLC ± - 4 PLC ± - ANGLES ± -		APPLICATION SPEC		
MATERIAL		WEIGHT	SIZE	CAGE CODE
FINISH		—	A3	00779
⚠️ 1		DRAWING NO		RESTRICTED TO
⚠️ 2 ⚠️ 3		G-415504		—
CUSTOMER DRAWING			SCALE	SHEET
			8:1	1 OF 1
			REV	B

RECOMMENDED PCB CONFIGURATION