

**PLEASE CHECK WWW.MOLEX.COM FOR LATEST PART INFORMATION**

**Part Number:** [42815-0012](#)  
**Status:** **Active**  
**Overview:** [Mini-Fit Sr.™ Power Connectors](#)  
**Description:** [Mini-Fit Sr.™ Crimp Terminal, Female, 10-12 AWG Gold \(Au\)](#)

**Documents:**

[Drawing \(PDF\)](#) [Test Summary TS-42815-001 \(PDF\)](#)  
[Product Specification PS-42815-001 \(PDF\)](#) [RoHS Certificate of Compliance \(PDF\)](#)  
[Packaging Specification PK-42815-001 \(PDF\)](#)

**General**

|                         |  |
|-------------------------|--|
| Product Family          | Crimp Terminals                                |
| Series                  | <a href="#">42815</a>                          |
| Application             | Power  |
| Comments                | High Current/Low Force                         |
| Crimp Quality Equipment | Yes  |
| MolexKits               | Yes  |
| Overview                | <a href="#">Mini-Fit Sr.™ Power Connectors</a> |
| Product Name            | Mini-Fit Sr.™                                  |
| UPC                     | 800756101095                                   |

**Physical**

|                                |                              |
|--------------------------------|------------------------------|
| Gender                         | Female                       |
| Material - Metal               | High Performance Alloy (HPA) |
| Material - Plating Mating      | Gold                         |
| Material - Plating Termination | Tin                          |
| Net Weight                     | 1.351/g                      |
| Packaging Type                 | Reel                         |
| Plating min - Mating           | 0.762µm                      |
| Plating min - Termination      | 2.540µm                      |
| Termination Interface: Style   | Crimp or Compression         |
| Wire Insulation Diameter       | 5.30mm max.                  |
| Wire Size AWG                  | 10, 12                       |
| Wire Size mm²                  | N/A                          |

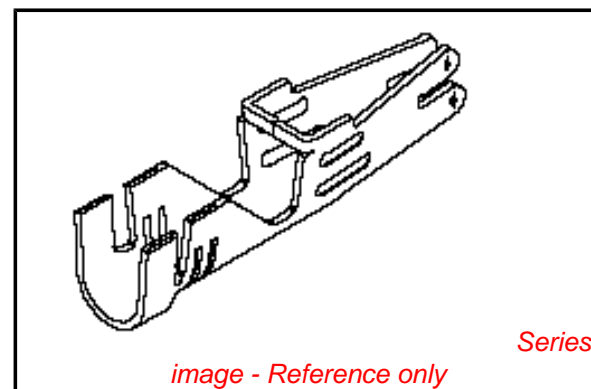
**Electrical**

|                               |     |
|-------------------------------|-----|
| Current - Maximum per Contact | 50A |
|-------------------------------|-----|

**Material Info**

**Reference - Drawing Numbers**

|                         |  |
|-------------------------|--|
| Packaging Specification | PK-42815-001   |
| Product Specification   | PS-42815-001, RPS-42815-001, RPS-42815-011,<br>RPS-42815-012, RPS-42815-013, RPS-42815-014,<br>RPS-42815-015 |
| Sales Drawing           | SD-42815-*   |
| Test Summary            | TS-42815-001   |



**EU RoHS**

**ELV and RoHS  
Compliant**  
**REACH SVHC  
Contains SVHC: No**  
**Low-Halogen Status  
Low-Halogen**

**China RoHS**



**Need more information on product  
environmental compliance?**

Email [productcompliance@molex.com](mailto:productcompliance@molex.com)  
For a multiple part number RoHS Certificate of  
Compliance, [click here](#)

Please visit the [Contact Us](#) section for any  
non-product compliance questions.

**Search Parts in this Series**

[42815Series](#)

**Application Tooling | FAQ**

*Tooling specifications and manuals are  
found by selecting the products below.  
Crimp Height Specifications are then  
contained in the Application Tooling  
Specification document.*

**Global**

| Description                                      | Product #                  |
|--|----------------------------|
| Manual Extraction Tool                           | <a href="#">0638130400</a> |
| Hand Crimper Mini-Mac™ Applicator                | <a href="#">0638111600</a> |
| Mini-Mac™ Applicator                             | <a href="#">0638911100</a> |
| Mini-Mac Applicator for "Mini-Fit Sr." Terminals | <a href="#">0638911200</a> |

**Japan**

| Description                                | Product #                  |
|--|----------------------------|
| Side-Feed Applicator For Full-Auto Machine | <a href="#">0573983200</a> |

This document was generated on 02/10/2015

**PLEASE CHECK [WWW.MOLEX.COM](http://WWW.MOLEX.COM) FOR LATEST PART INFORMATION**