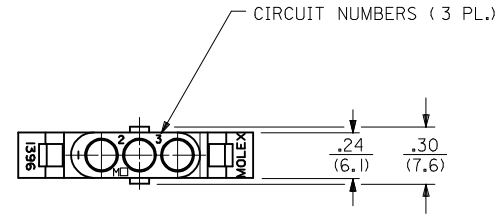
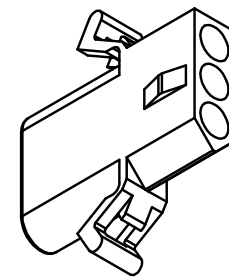
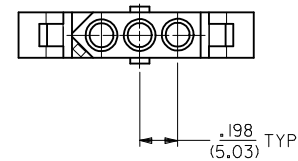
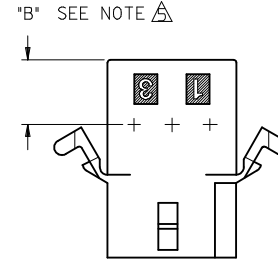
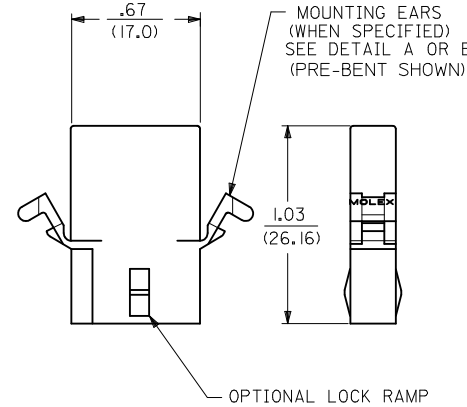


**PLUG**

1396-P SHOWN ABOVE ( WITH STANDARD MOUNTING EAR)

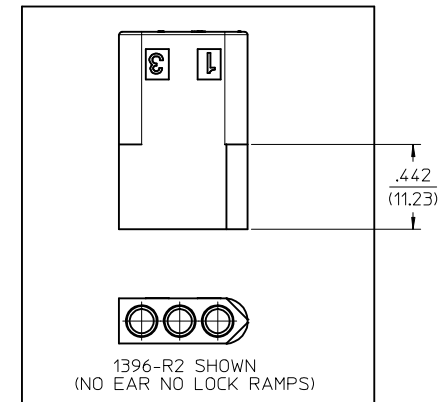


ALTERNATE END CONFIGURATION  
SEE NOTE A



**RECEPTACLE**

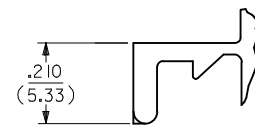
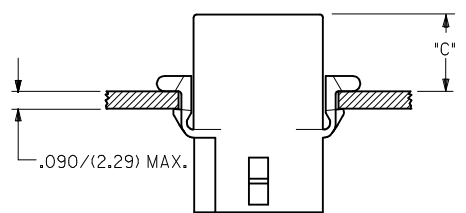
1396-R4 SHOWN ( WITH PRE-BENT EAR)



ADD PK-1396-002 EC NO: UCP2016-2183 DRWN:KIPPER 2015/12/09 CHKD:JBELL 2015/12/09 APPR:FSMITH 2015/12/23	QUALITY SYMBOLS ▽=0 ▽=0 ▽=0	GENERAL TOLERANCES (UNLESS SPECIFIED)		DIMENSION STYLE <b>IN/MM</b>	SCALE <b>2:1</b>	DESIGN UNITS <b>INCH</b>	THIRD ANGLE PROJECTION	
		4 PLACES ± --- ± ---	3 PLACES ± --- ± .010	DRAWN BY JJS	DATE 1988/04/08	TITLE <b>.093/(2.36) HOUSING          PLUG AND RECEPTACLE          3 CIRCUIT .198 CENTERS</b>		
		2 PLACES ± 0.25 ± .014	1 PLACE ± 0.35 ± ---	CHECKED BY RW	DATE 1988/04/08	<b>molex</b>		
		0 PLACE ± --- ± ---	ANGULAR ±1/2°		APPROVED BY FSMITH	DATE 2014/06/23	DOCUMENT NO. <b>SD-1396-*</b>	SHEET NO. <b>1 OF 2</b>
Z3	DRAFT WHERE APPLICABLE MUST REMAIN WITHIN DIMENSIONS	MATERIAL NO. <b>SEE CHART</b>		THIS DRAWING CONTAINS INFORMATION THAT IS PROPRIETARY TO MOLEX INCORPORATED AND SHOULD NOT BE USED WITHOUT WRITTEN PERMISSION				

13		12		11		10		9		8		7		6		5		4		3		2		1	
PLUG				RECEPTACLE																					
ORDER NO.		ENG. NO.		ORDER NO.		ENG. NO.																			
03-09-2031		I396-P		03-09-1031		I396-R																			
03-09-2032		I396-P1		03-09-1032		I396-R1																			
03-09-7032		I396-PIBK		03-09-1033		I396-R2																			
03-09-7031		I396-PBK		03-09-6033		I396-R2BK																			
03-09-2037		I396-P3		03-09-6032		I396-RIBK																			
				03-09-6031		I396-RBK																			
				03-09-1081		I396-R4																			

HOUSING	DIM. "A"	DIM. "B"	"C" PREBENT EAR	"C" STANDARD EAR
PLUG	.933/(23.70)	.375/(9.53)	.40/(10.2)	.38/(9.7)
RECEPT.	.830/(21.08)	.312/(7.92)	.41/(10.4)	.39/(9.9)



**LEGEND:**

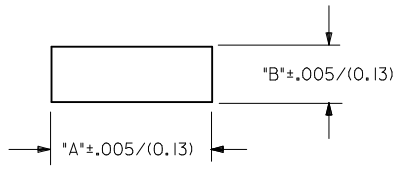
I396-\*\*\*\*-\*

P = PLUG  
R = RECEPTACLE

BLANK = WITH STANDARD EARS  
1 = WITHOUT EARS  
2 = RECEPTACLE WITHOUT EARS, WITHOUT LOCK RAMPS  
3 = PLUG ONLY, W/ SIDE MOUNT (SEE SD-I396-P3)  
4 = WITH PREBENT EARS

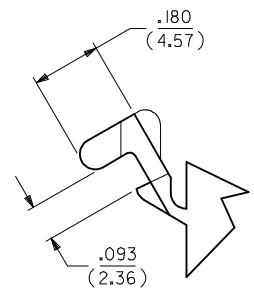
COLOR: BLANK=NATURAL COLOR  
AM=AMBER BK=BLACK BU=BLUE  
BN=BROWN GY=GRAY GN=GREEN  
OR=ORANGE RD=RED YW=YELLOW

BLANK = NYLON 6/6, 94V-2



RECOMMENDED PANEL MOUNTING HOLE

**DETAIL A**  
STANDARD MOUNTING EAR  
(SCALE 4:1)

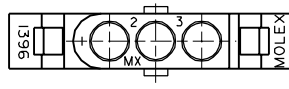
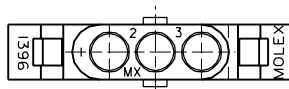


**DETAIL B**  
PREBENT MOUNTING EAR  
(SCALE 4:1)

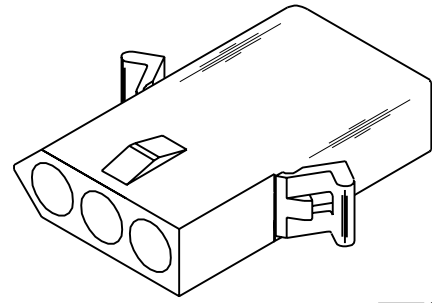
**NOTES:**

1. MATERIAL: SEE LEGEND
  2. FINISH: NOT APPLICABLE
  3. PRODUCT SPECIFICATION: PS-02-09
  4. PACKAGING INFORMATION: REFER TO PK-1396-002
- △ DIMENSION FROM THE BACK OF THE HOUSING TO THE END OF BRUSH ON WIRE INSERTED INTO THE HOUSING:  
DIM "A"= .256/6.50 FOR 42477 & 42478 TERMINALS  
.216/5.49 FOR ALL OTHER .093 TERMINALS  
DIM "B"= .377/9.58 FOR 42477 & 42478 TERMINALS  
.337/8.56 FOR ALL OTHER .093 TERMINALS
  - △ CIRCUIT I.D. NUMBERS ON SIDE OF HOUSING APPEAR ON PARTS FROM TOOLS BUILT AFTER 5/4/93.
  - △ END CONFIGURATION IS DEPENDENT ON MOLD DESIGN. PARTS MAY HAVE EITHER CONFIGURATION.
8. PARTS CONFORM TO CLASS B REQUIREMENTS OF COSMETIC SPECIFICATION PS-45499-002.

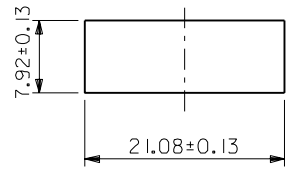
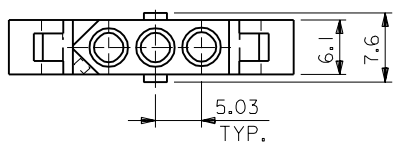
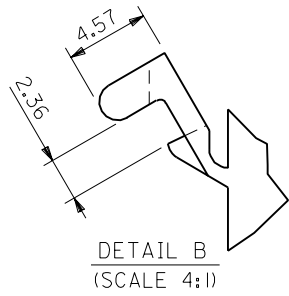
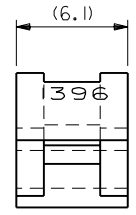
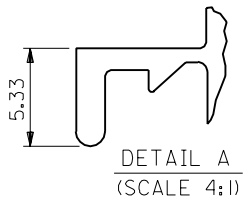
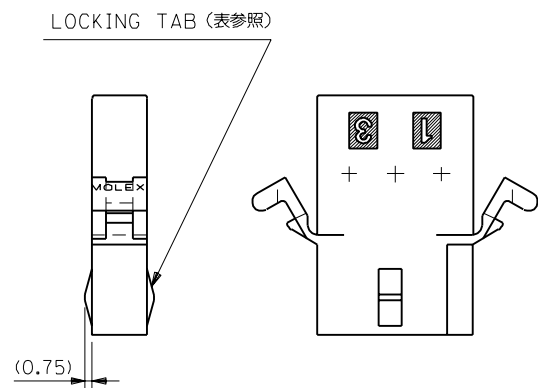
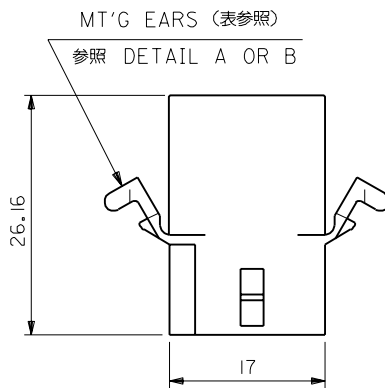
<b>SEE SHEET 1</b> EC NO: UCP2016-2183 DRWN:KIPPER 2015/12/09 CHKD:J.BELL 2015/12/09 APPR:FSMITH 2015/12/23 Z3	REV DESCRIPTION QUALITY SYMBOLS ▽=0 ▽=0 ▽=0	GENERAL TOLERANCES (UNLESS SPECIFIED)		DIMENSION STYLE <b>IN/MM</b>		SCALE <b>2:1</b>	DESIGN UNITS <b>INCH</b>	THIRD ANGLE PROJECTION	
		mm	INCH	DRAWN BY	DATE	TITLE <b>.093/(2.36) HOUSING          PLUG AND RECEPTACLE          3 CIRCUIT .198 CENTERS</b> <b>molex</b> DOCUMENT NO. <b>SD-1396-*</b> SHEET NO. <b>2 OF 2</b>			
		4 PLACES ± --- ± ---	± --- ± ---	JJS	1988/04/08				
3 PLACES ± --- ± .010	± .010 ± .010	CHECKED BY	DATE						
2 PLACES ± 0.25 ± .014	± .014 ± .014	RW	1988/04/08	APPROVED BY		DATE		MATERIAL NO. <b>SEE CHART</b>	
1 PLACE ± 0.35 ± ---	± --- ± ---	FSMITH		2014/06/23					
ANGULAR ±1/2°		DRAFT WHERE APPLICABLE MUST REMAIN WITHIN DIMENSIONS		THIS DRAWING CONTAINS INFORMATION THAT IS PROPRIETARY TO MOLEX INCORPORATED AND SHOULD NOT BE USED WITHOUT WRITTEN PERMISSION					



OPTIONAL END CONFIGURATION



RECEPTACLE



パネル取付穴寸法  
(パネル厚 2.29最大)

I396R4	03-09-1081	有	WITH	有	WITH DETAIL B
I396R2	03-09-1033	無	WITHOUT	無	WITHOUT
I396R1	03-09-1032	有	WITH	無	WITHOUT
I396R	03-09-1031	有	WITH TABS	有	WITH DETAIL A
ENG. NO.	EDP NO.	LOCKING TABS	MT'G EARS		

DO NOT SCALE DRAWING

EC NO. DRWN: CHK: APPR:	EC NO. DRWN: CHK: APPR:	EC NO. DRWN: CHK: APPR:	EC NO. DRWN: CHK: APPR:	RELEASED EC NO. JC2001-0078 DRWN: K.KOHAMA '00/08/28 CHK: T.YAMAGUCHI APPR: M.FUKUSHIMA
----------------------------------	----------------------------------	----------------------------------	----------------------------------	-----------------------------------------------------------------------------------------------------

MATERIAL 材料	NYLON66 94V-2
FINISH 仕上り	
WIRE RANGE 適用線径範囲	
INS. RANGE 被覆径	

GENERAL TOLERANCES: (UNLESS SPECIFIED) 一般公差	SCALE 2 : 1	DESIGN UNITS <input checked="" type="checkbox"/> mm <input type="checkbox"/> INCH
10 UNDER 未満	+0.25 ±0.2	DRAWN BY & DATE K.KOHAMA '00/08/28
10 OVER 以上	+0.3 ±0.25	CHECKED BY & DATE T.YAMAGUCHI '00/08/28
30 OVER 以上	+0.35 ±0.3	APPROVED BY & DATE M.FUKUSHIMA '00/08/28
ANGLE 角度	+3°	CAD FILENAME I396001.S01

MODEL NO.	03-09-1***	DIMENSIONS:	SHT	REV
		<input type="checkbox"/> mm <input type="checkbox"/> INCH <input checked="" type="checkbox"/> mm ONLY		
THIRD ANGLE PROJECTION		REVISE ON CAD ONLY		
TITLE: 3 CIRCUITS RCPT HSG (0.093 DIA TERMINAL)				
MATERIAL NO. SEE NOTES		DRAWING NO. SD-1396-001		SHEET NO. 1 OF 1
MOLEX INCORPORATED				
THIS DRAWING CONTAINS INFORMATION THAT IS PROPRIETARY TO MOLEX INCORPORATED AND SHOULD NOT BE USED WITHOUT WRITTEN PERMISSION.				
				SIZE B