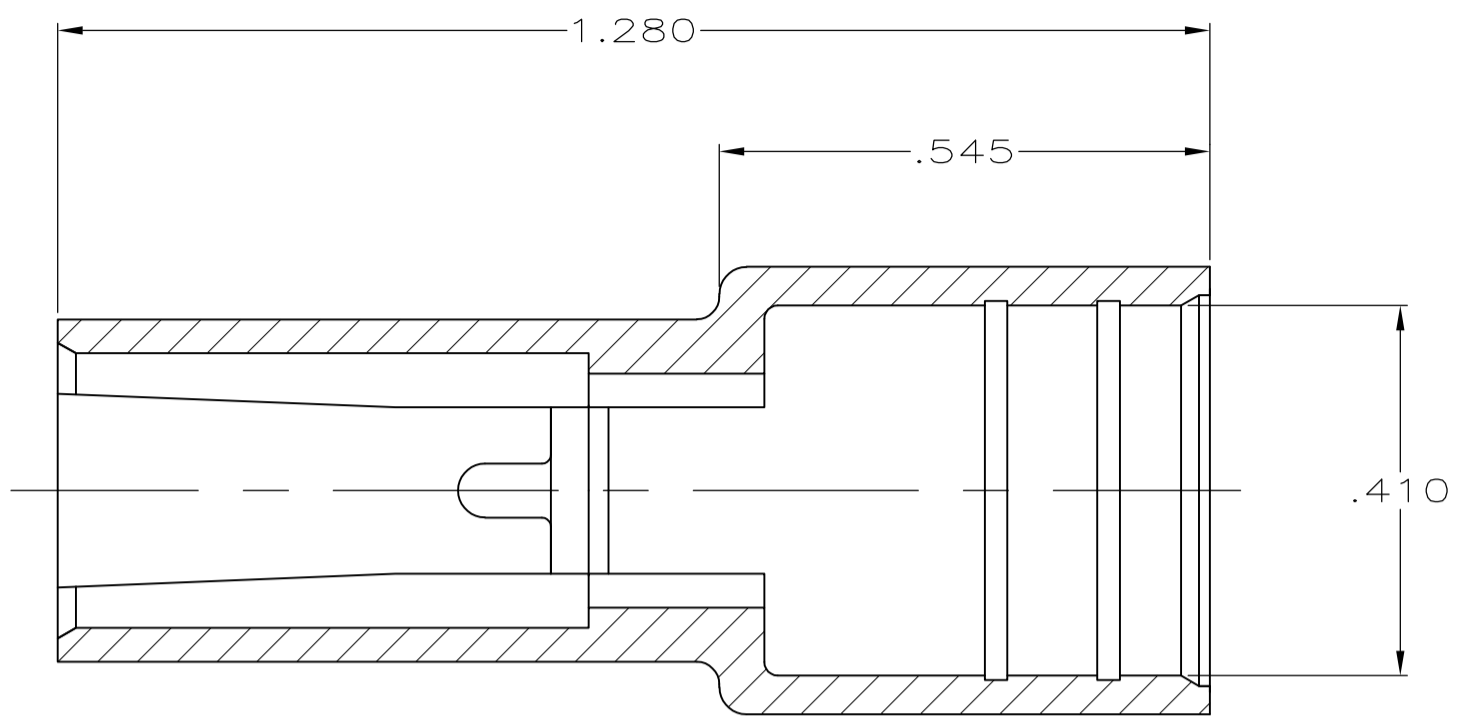
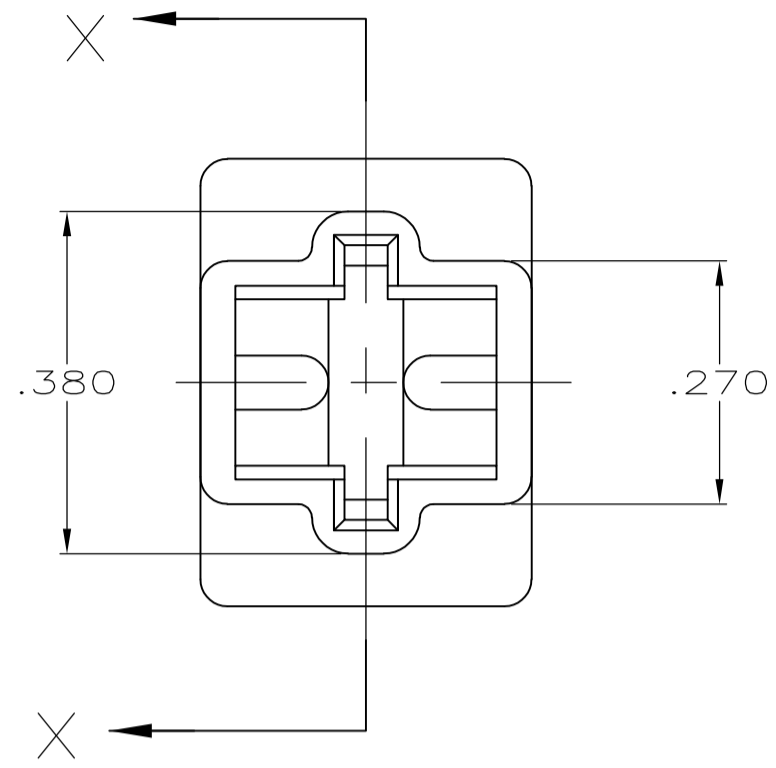
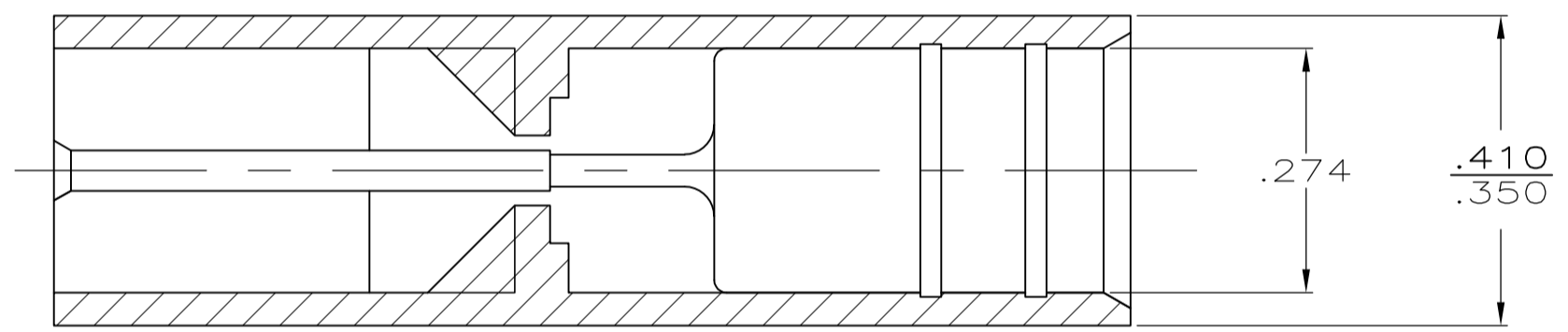
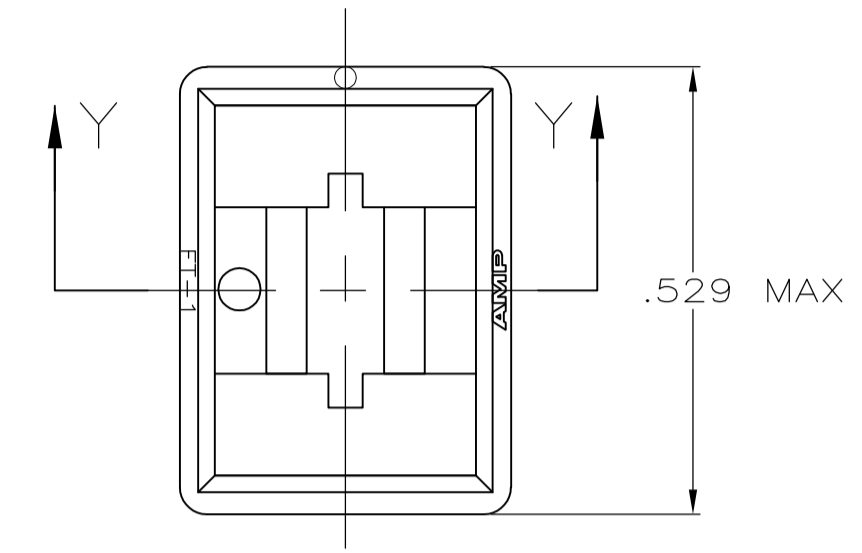


LOC	DIST	REVISIONS					
AF	50	P	LTR	DESCRIPTION	DATE	DWN	APVD
		AE2		REVISED PER ECO-11-004917	11MAR11	RK	HMR



SECTION X-X



SECTION Y-Y
ROTATED 90° CW

1 OBSOLETE PARTS: OBSOLETE CIS STREAMLINING PER D.RENAUD/D.SINISI

1	OBSOLETE	BLACK	4/6 NYLON UL 150° C	1-480053-0
	OBSOLETE	DYED GREY	6/6 NYLON	480053-9
	OBSOLETE	DYED PINK	6/6 NYLON	480053-8
	SUPERSEDED BY 480053-3	DYED BLUE	6/6 NYLON	480053-7
	SUPERSEDED BY 480053-3	DYED GREEN	6/6 NYLON	480053-6
		RED	6/6 NYLON	480053-5
		BLACK	6/6 NYLON	480053-4
		NATURAL	6/6 NYLON	480053-3
	SUPERSEDED BY 480053-4	BLACK	CYCOLAC	480053-2
	SUPERSEDED BY 480053-3	CLEAR	TENITE	480053-1
		COLOR	MATERIAL	PART NO

THIS DRAWING IS A CONTROLLED DOCUMENT FOR AMP INCORPORATED. IT IS SUBJECT TO CHANGE AND THE CONTROLLING ENGINEERING ORGANIZATION SHOULD BE CONTACTED FOR THE LATEST REVISION.

THIS DRAWING IS A CONTROLLED DOCUMENT.		DWN	JR RUTH	3/10/94	TE Connectivity HOUSING, TAB, FASTIN-FASTON, .250 SERIES	
DIMENSIONS: MM[INCHES]		CHK	MS FEHER	3/10/94		
TOLERANCES UNLESS OTHERWISE SPECIFIED:		APVD	R BEAVER	3/10/94		
0 PLC ± - 1 PLC ± - 2 PLC ± - 3 PLC ± .015 4 PLC ± - ANGLES ± - FINISH SEE TABLE		PRODUCT SPEC APPLICATION SPEC WEIGHT -		SIZE A2 CAGE CODE 00779 DRAWING NO G-480053		
MATERIAL SEE TABLE		CUSTOMER DRAWING		SCALE 5:1	SHEET 1 of 1	REV AE2