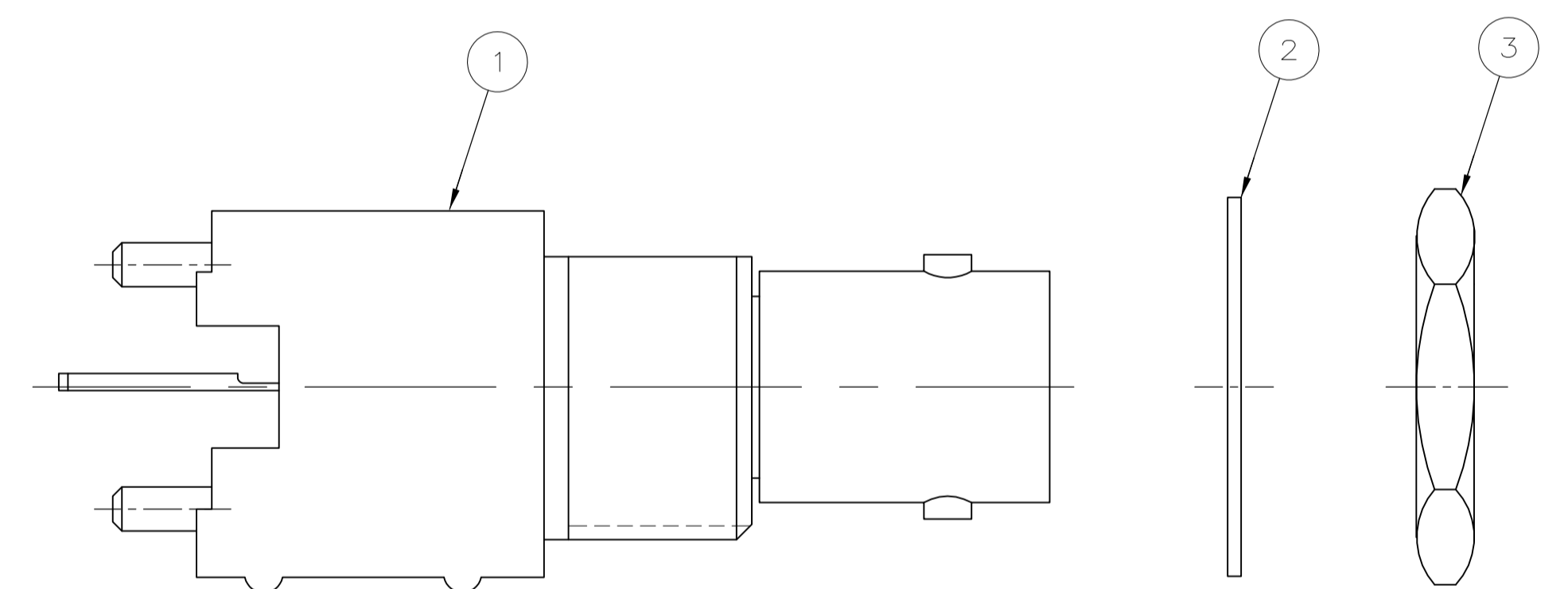
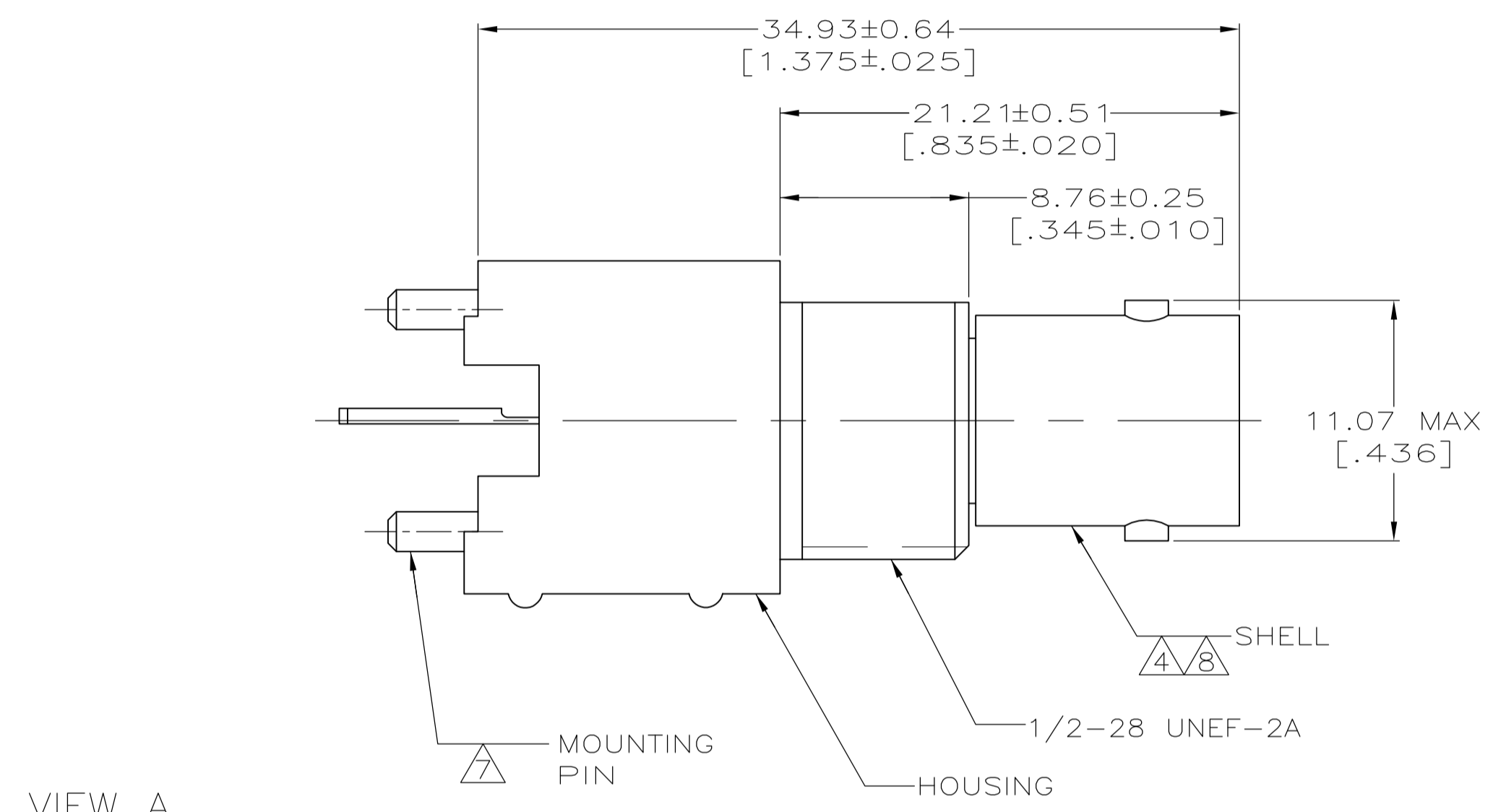
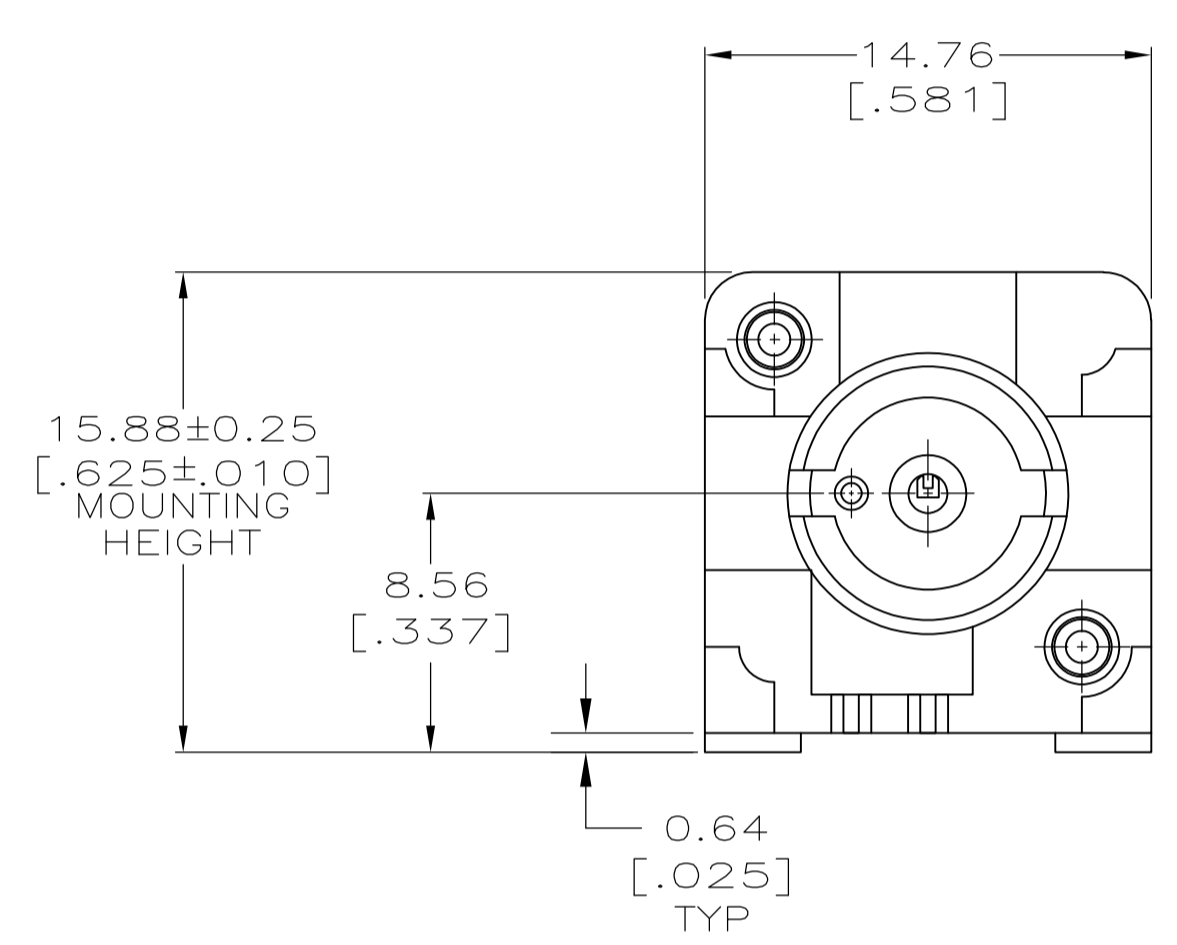
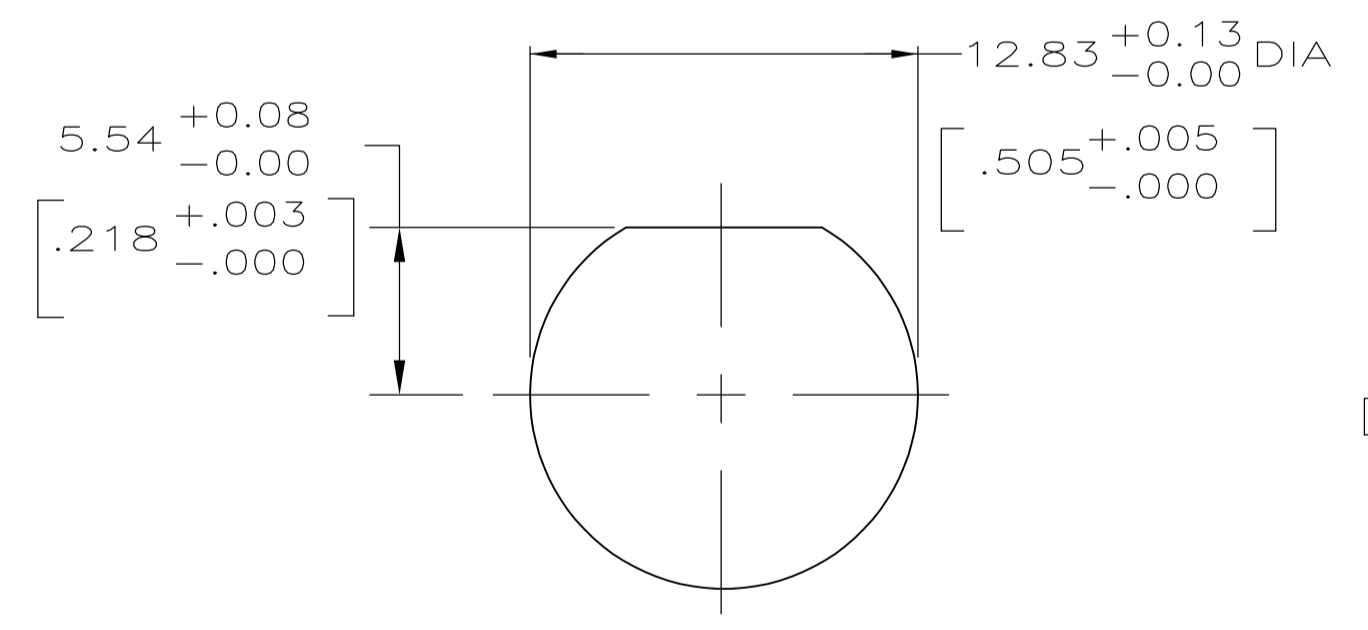


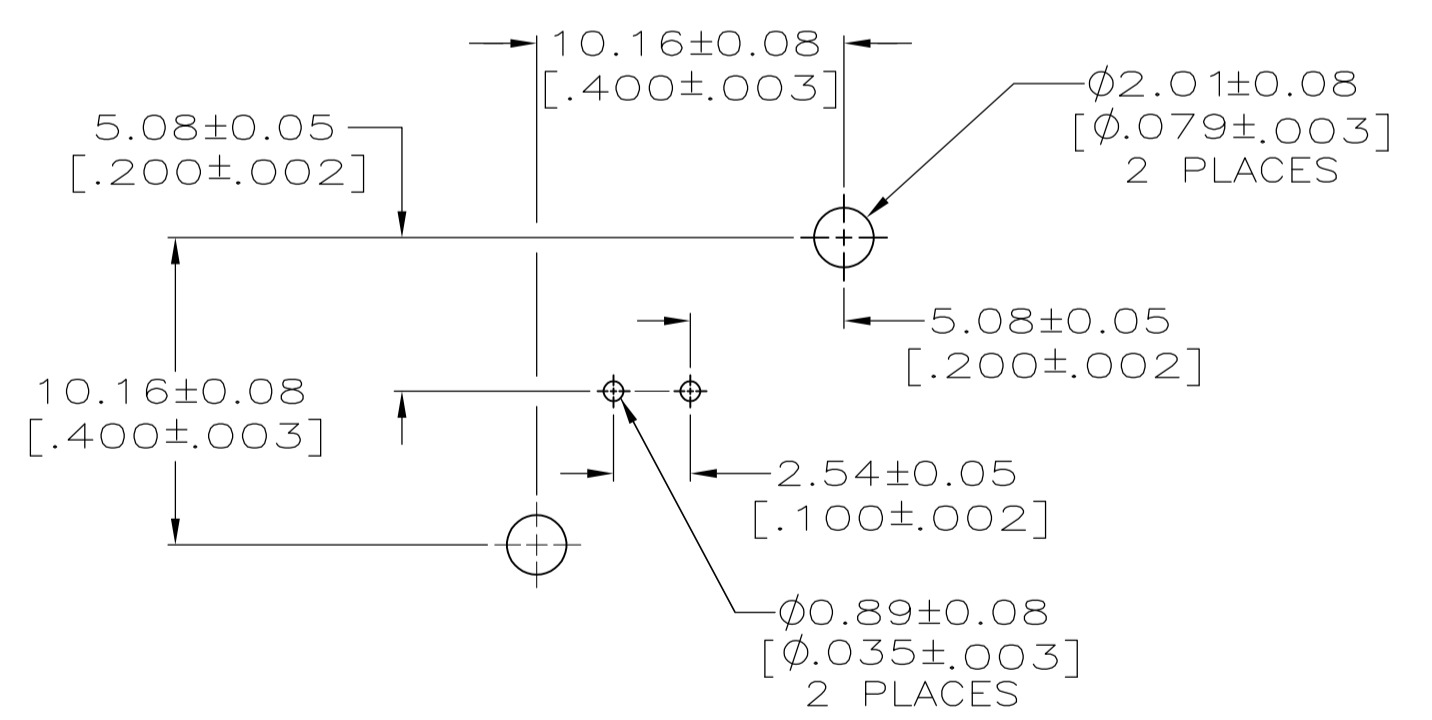
- 1 POLYESTER PBT PER MIL-M-24519, TYPE GPT-15F, UL94V-O RATED, COLOR: NATURAL
- 2 POLYESTER PBT PER MIL-M-24519, TYPE GPT-15F, UL94V-O RATED, COLOR: BLACK
- 3 POLYMETHYLPENTENE, GENERAL PURPOSE.
- 4 ZINC PER QQ-Z-363.
- 5 PHOSPHOR BRONZE PER QQ-B-750.
- 6 BRASS PER ASTM-B-453.
- 7 BRASS PER ASTM-B-16.
- 8 NICKEL PLATE PER QQ-N-290, 3.81 μ m [.000150] MINIMUM THICK.
- 9 TIN PLATE PER ASTM-B-545, 3.81 μ m [.000150] MINIMUM THICK.
- 10 GOLD PLATE PER MIL-C-45204, 0.76 μ m [.000030] MINIMUM THICK.
- 11. SEE INSTRUCTION SHEET 408-2769.



VIEW B



RECOMMENDED PANEL CUTOUT



PCB CONFIGURATION

-	6	5	4	3	2	1							
3.48 [.137]	6	6	6	6	6	6	B	1-329631-2	1-329632-2	5227222-6	5227222-9		
3.48 [.137]	6	6	6	6	6	6	A	-	-	-	5227222-6		
3.48 [.137]	6	6	6	6	6	6	A	-	-	-	5227222-3		
3.48 [.137]	6	6	6	6	6	6	A	-	-	-	5227222-2		
3.48 [.137]	6	6	6	6	6	6	A	-	-	-	5227222-1		
C	MOUNTING PIN PLATING	GROUND POST PLATING	CONTACT POST PLATING	CONTACT PLATING	HOUSING MATERIAL	VIEW	3	JAM NUT QTY=1	2	LOCKWASHER QTY=1	1	ASSEMBLY QTY=1	PART NUMBER

THIS DRAWING IS A CONTROLLED DOCUMENT.

DIMENSIONS: mm (INCHES)

TOLERANCES UNLESS OTHERWISE SPECIFIED:

0 PLC	± -
1 PLC	± -
2 PLC	± 0.20 [.008]
3 PLC	± -
4 PLC	± -
ANGLES	± -

MATERIAL:

FINISH:

THIS DRAWING IS A CONTROLLED DOCUMENT. DIN J. ALCORTA - DOCK5. CJK J. HAVENER. APVD J. LIPPERT. NAME Tyco Electronics Corporation, Harrisburg, Pa 17105-3608. PRODUCT SPEC 108-12078. APPLICATION SPEC. SIZE A1. CAGE CODE 00779. DRAWING NO. 5227222. RESTRICTED TO. WEIGHT -. SCALE 4:1. SHEET 1 OF 1. REV B. CUSTOMER DRAWING.