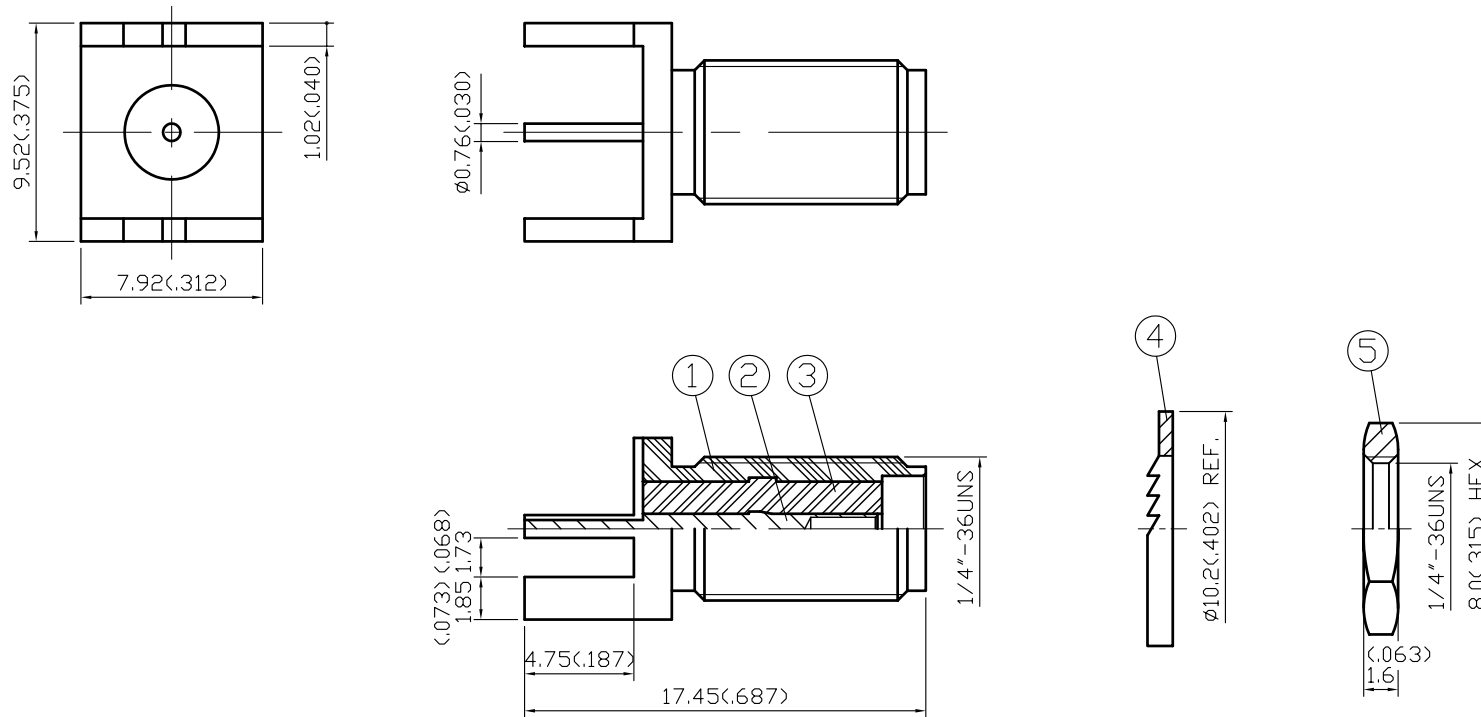


NO	DESCRIPTION	DATE
1	BACKGROUND FORMAT UPDATED	06.04.02



NOTES: UNLESS OTHERWISE SPECIFIED

1. BODIES: BRASS PER JIS-C3604
2. CENTER CONTACT: BERYLLIUM COPPER PER JIS-C1730B
3. INSULATION: TEFLON PER ASTM D1457 AND ASTM D1710
4. CONNECTOR INTERFACE PER MIL-STD-348A
5. PART TO BE CLEAN AND FREE OF BURRS

P/N : 19-70-TGG



製圖	DRAWN	TOLERANCE	品名		DATE	版次	REV.
	梁齡允		.X ±0.2	19-70 (50Ω)			
檢圖	CHECK	.XX ±0.1	單位	mm(in)	DWG.NO. 19-0041		
	沈淑美	.XXX ±0.05	比例	SCALE			
認定	余賢德	ANGLE ±5°					

NO	DESCRIPTION	MATERIAL	Q'TY	FINISH
5	NUT	BRASS	1	GOLD
4	WASHER	BRASS	1	GOLD
3	INSULATION	TEFLON	1	NONE
2	CENTER CONTACT	BERYLLIUM COPPER	1	GOLD 50 μ" MIN.
1	BODY	BRASS	1	GOLD 3 μ" MIN.