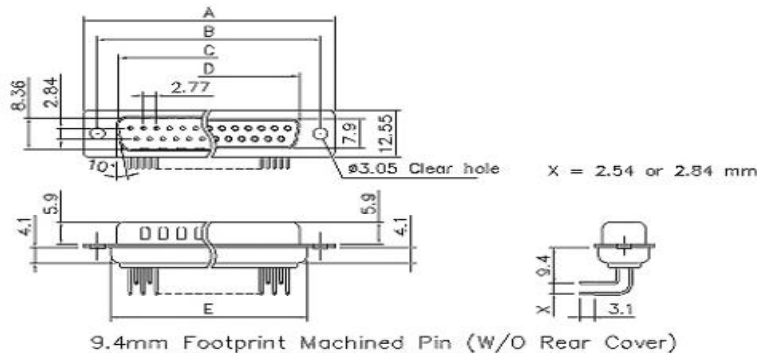


Datasheet

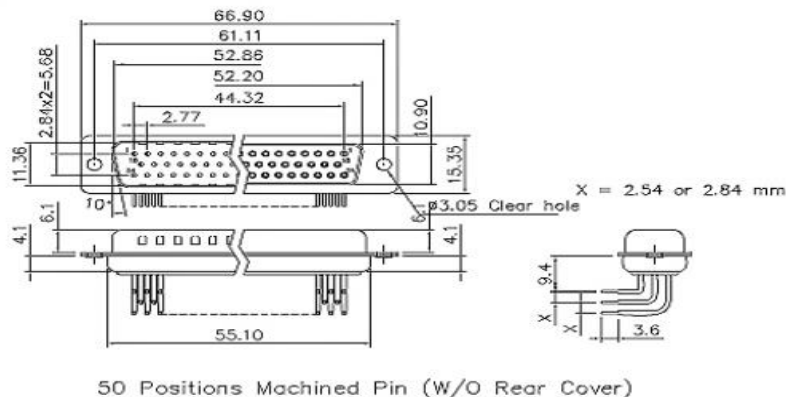
2.77mm Pitch 9 Way Right Angle Through Hole Mount PCB D-sub Connector, Plug

RS Stock number [528-3654](#)



Dimensions

| Positions | A | B | C | D | E |
|-----------|-------|-------|-------|-------|-------|
| 9 | 30.81 | 24.99 | 16.92 | 16.33 | 19.20 |
| 15 | 39.14 | 33.32 | 25.50 | 24.66 | 27.70 |
| 25 | 53.04 | 47.04 | 38.96 | 38.38 | 41.10 |
| 37 | 69.32 | 63.50 | 55.42 | 54.84 | 57.30 |



Product Specification

Material

Insulator Glass-Filled Thermoplastic PBT, UL94V-0 rated
 Contact : Turned copper alloy
 Shell : Steel, 100u" Tin Over 50u" min Nickel.
 Insulator color : Black

Electrical

Contact Resistance : 10 milliohms Max at 1 AMP DC.
 Insulation Resistance : 1000 megohms at 500 VDC
 Dielectric Withstanding Voltage : 1000 VAC/rms 60Hz for 1 minute
 Current Rating : 5 AMP all contacts simultaneously
 Voltage Rating : 250 VAC/rms 60Hz
 Temperature Range: -55°C to 125°C
 Contact type: Machine pin
 Contact Plating: Gold plated over nickel