

FEATURES

- Auto-restart
- Smooth and high-efficiency airflow
- Brushless DC
- Polarity protected

RS PRO, 12 V dc, DC Axial Fan, 40 x 40 x 20mm, 15.3m³/h, 1.2W

RS Stock No.: 541-4915



RS Professionally Approved Products bring to you professional quality parts across all product categories. Our product range has been tested by engineers and provides a comparable quality to the leading brands without paying a premium price.

Product Description

Brought to you by RS PRO, this high-performance ball bearing axial fan offers a cost-effective cooling solution without sacrificing on quality or reliability. With a robust plastic frame and impeller, the fan is perfect for lightweight applications where ventilation and cooling are required. The fan has a brushless DC motor which reduces the chance of overheating while delivering a high-speed high-pressure output.

General Specifications

Air Flow	15.3m ³ /h
Fan Speed	7800rpm
Noise Level	32dB
Direction of Curve	Backwards
Frame	PBT , ULV94-0 Thermoplastic
Impeller	PBT , ULV94-0 Thermoplastic
Alarm Function	Yes
Special Features	Tachometer
IP Rating	IP44
Applications	Server racks, Electrical cabinets and enclosures; Production Lines, Ceiling fan/ventilation Desktop computers, Motor engines (radiator in a car), Generators, Air compressors

Electrical Specifications

Motor	Brushless DC, locked rotor protected, Auto Restart, Polarity Protected
AC or DC Operation	DC
Power Consumption	1.2W
Supply Voltage	12VDC
Maximum Current	100mA

Insulation Resistance	Min. 10M ohm at 500VDC
-----------------------	------------------------

Mechanical Specifications

Dimensions	40mm x40mm x20mm
Height	40mm
Width	40mm
Depth	20mm
Bearing Type	Ball
Life Expectancy	60,000 hours (L10)

Operation Environment Specifications

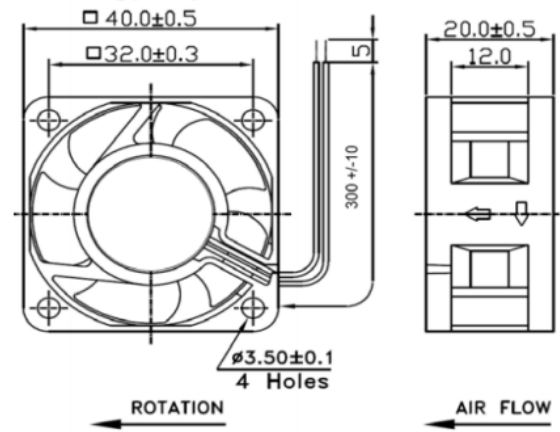
Operating Temperature	-10°C to 70°C
-----------------------	---------------

Approvals

Compliance/Certifications	UL, cUL, TUV, CE, UL94-V0
---------------------------	---------------------------



Drawing(mm):



*Drawing for Dimensional Reference Only

Axial Fans



RS Part Number	Orion Part Number	Speed (RPM)	Airflow (CFM)	Noise (db)	Volts (DC)	Voltage Range	Current (Amps)	Lead Type
5414915	OD4020-12HB	7800	9	32	12	7~14	0.10	Wire
5414909	OD4020-12MB	6900	7.8	28.5	12	7~15	0.08	Wire
5414892	OD4020-12LB	6200	7	25	12	7~16	0.07	Wire
5415160	OD4020-24HB	7800	9	32	24	10~27	0.09	Wire
5415154	OD4020-24MB	6900	7.8	28.5	24	10~27	0.07	Wire
5415148	OD4020-24LB	6200	7	25	24	10~27	0.06	Wire