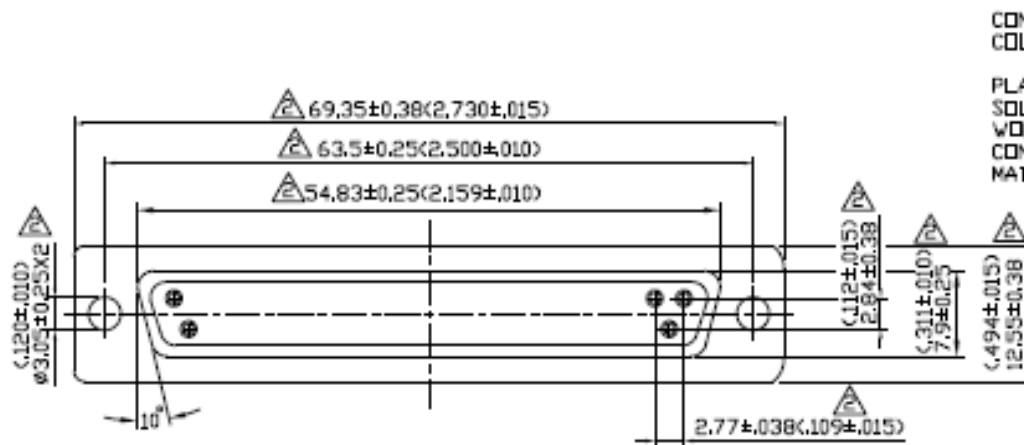


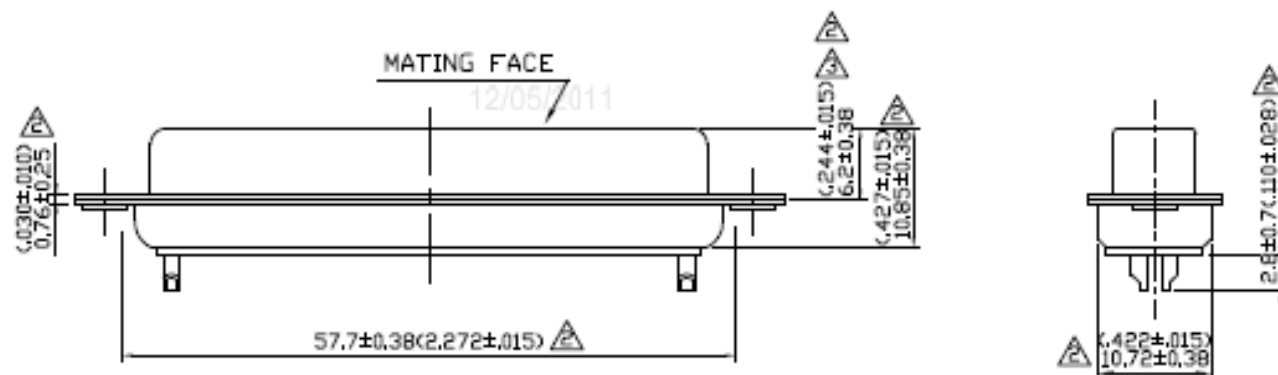
NO	DESCRIPTION	DATE
△	ADD M3S PART NO.	04.01.04'
△	ADD DESCRIPTION ADD 6.2±0.38 66.93±0.38 — 69.35±0.38 61.12±0.13 — 63.5±0.25 52.42±0.13 — 54.83±0.25 #3.05 — #3.05±0.25 7.9 — 7.9±0.25 12.55 REF. — 12.55±0.38 2.77 — 2.77±0.38 55.32 REF. — 57.7±0.38 1 — 0.76±0.25 10.72 REF. — 10.72±0.38 11 REF. — 10.72±0.38 3.3 REF. — 2.8±0.7 2.84 — 2.84±0.38 M3S PART NO. — P/N	03.13.08'
△	CORRECT DIMENSION LINE POSITION	12.02.11'



CONTACT TYPE  
COLOR OF INSULATION

FORMED CONTACT  
WHITE PBT  
GLASSFIBRE REINFORCED  
GOLD (<5 MICRO INCHES)  
TIN  
500V AC AT SEA LEVEL  
10m OHM MAX.  
150 TIMES

PLATING OF CONTACT  
SOLDER TERMINATIONS  
WORKING VOLTAGE  
CONTACT RESISTANCE  
MATING CYCLES



△△ P/N: 544-3878

APPROVED

by

DATE



DESCRIPTION		D-SUB WITH 37-PIN FEMALE CONNECTOR BY FORMING	
製圖	DRAWN <i>Gina</i>	TOLERANCE	品名 D50-0037S-F
檢圖	CHECK <i>Jase</i>	.X ±0.2 .XX ±0.1 .XXX ±0.05	日期 DATE 02.23.95
確定	APPROVAL <i>Angela</i>	ANGLE ±5°	圖次 REV. A-3
		單位 mm(In)	DWG.NO. 55-0056
		比例 2:1	