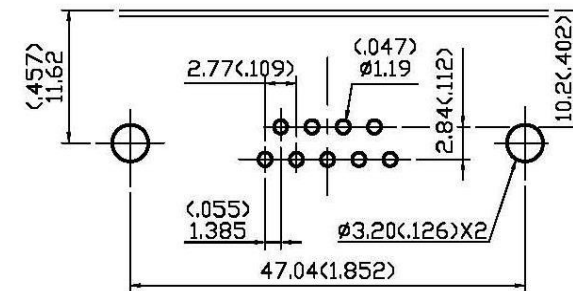
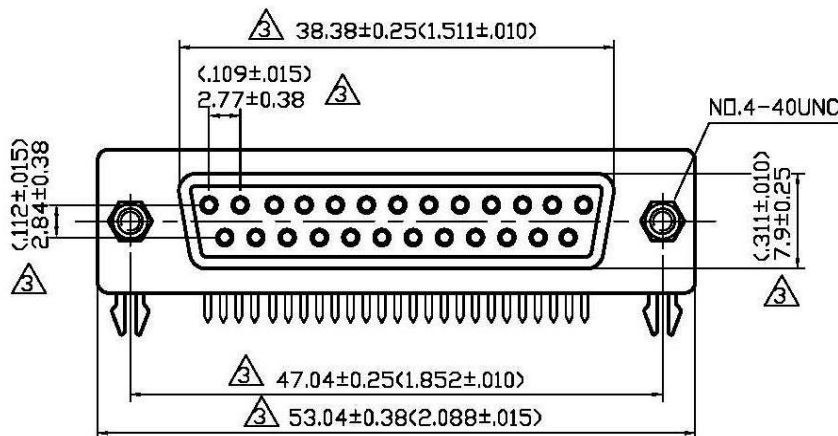
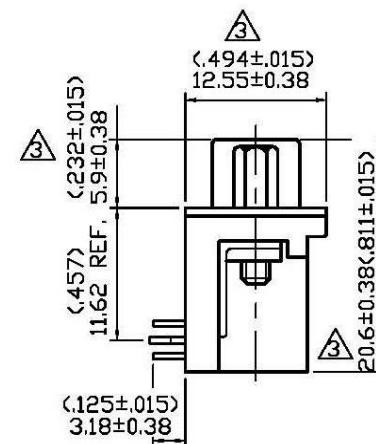
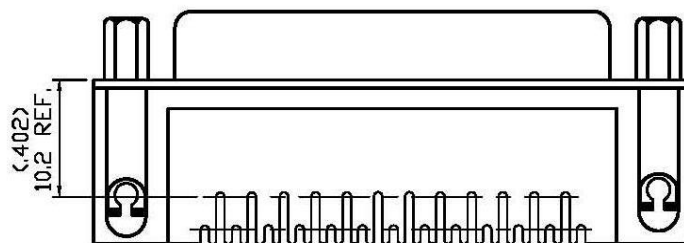


NO	DESCRIPTION	DATE
△	ADD MIS PART NO.	04.01.04'
△	4724520 → 054-0025S-F P54-0025S-F → 054-0025S-F	01.02.07'
△	ADD DESCRIPTION MIS PART NO. → P/N 2.77±0.25 → 2.77±0.38 38.38 REF → 38.38±0.25 2.84±0.25 → 2.84±0.38 47.04 REF → 47.04±0.25 53 REF → 53.04±0.38 12.55±0.25 → 12.55±0.38 5.9 REF → 5.9±0.38 20.6 REF → 20.6±0.38 7.9 REF → 7.9±0.25	04.29.08'



MOUNTING HOLE



**MATERIAL:**

INSULATOR: PBT+30% GLASS FIBER (UL 94V-0) BLACK.  
CONTACT MATERIAL: BRASS.  
CONTACT FINISH: GOLD OVER NICKEL.  
SHELL FINSH: STEEL NICKEL PLATED.

**SPECIFICATION:**

CURRENT RATING: 5 AMP  
DIELECTRIC WITHSTANDING VOLTAGE: 1000V PER MINUTE.  
INSULATION RESISTANCE: 1000MΩ MIN. AT 500V DC.  
CONTACT RESISTANCE: 15mΩ MAX. 10 SES.  
OPERATING TEMPERATURE: -55°C~+105°C  
MIS PART NO: P54-0025S-F

APPROVED

by \_\_\_\_\_ DATE: \_\_\_\_\_



DESCRIPTION		D-SUB WITH 25-PIN FEMALE CONNECTOR BY FORMING							
製圖	DRAWN	TOLERANCE		品名	054-0025S-F △ 25W RT/ANG GRD SKT	日期	DATE	版次	REV.
	Yoko	X	±0.2	TITLE	△ ROHS COMPLIANT	01.27.04	01.27.04	A-3	
檢圖	CHECK	XX	±0.1	單位	mm<math>\langle \text{in} \rangle</math>	DWG.NO.	55-0040		
	Arc	XXX	±0.05	比例	SCALE	△ △ △ P/N: 544-3991			
認定	APPROVAL	ANGLE	±5°						
	Angela								