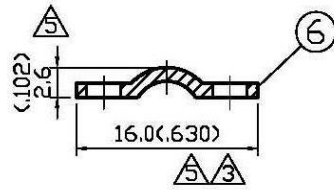
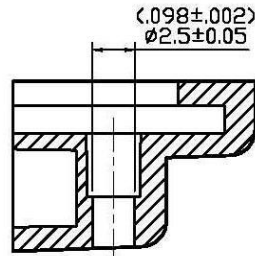
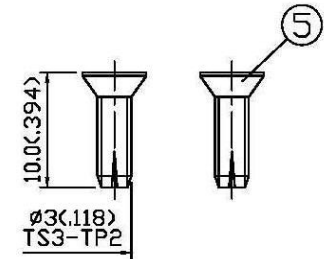
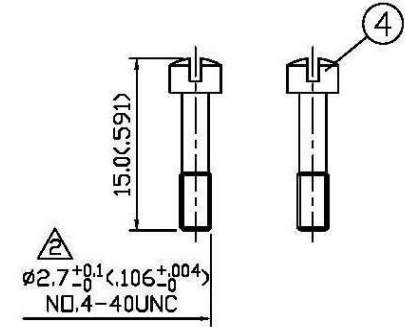
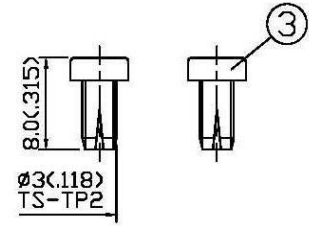
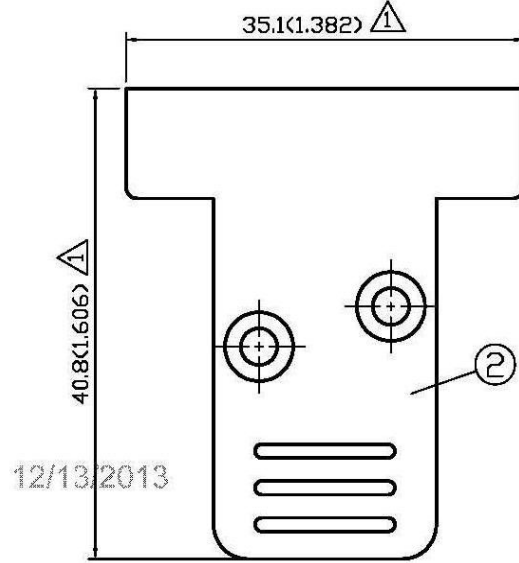
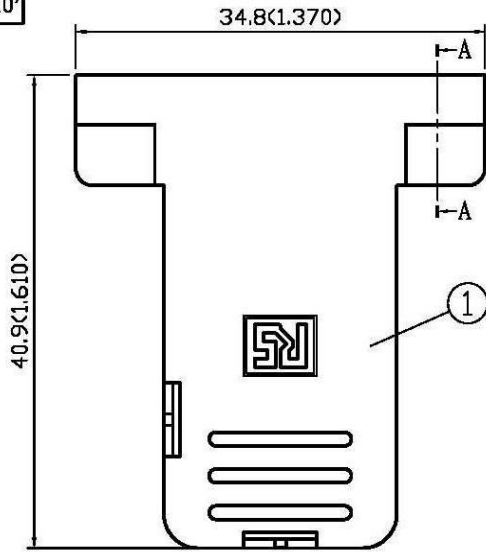


NO	DESCRIPTION	DATE
①	ADD MIS PART NO. 35.0 → 35.1 ; 40.7 → 40.8	04.01.04'
②	ADD A-A SECTION ø2.7 → ø2.7 <sup>+0.1</sup> <sub>0</sub>	12.02.04'
③	16.5 → 16.2	07.26.06'
④	ADD (P/N:544-4039)	04.13.10'
⑤	2.5 → 2.6 ; 16.2 → 16.0	06.28.10'



△ MIS PART NO: 069-0009H-02 (P/N:544-4039) △

△ A-A SECTION

APPROVED by \_\_\_\_\_ DATE: \_\_\_\_\_

NO	DESCRIPTION	MATERIAL	Q'TY	FINISH
6	SPRING	IRON	1	ZINC
5	SCREW	IRON	2	ZINC
4	SCREW	IRON	2	ZINC
3	SCREW	IRON	2	ZINC
2	CAP	ABS	1	NICKEL
1	BODY	ABS	1	NICKEL



DESCRIPTION		9PIN D-HOOD-1	
製圖	DRAWN Yoko	TOLERANCE	品名 9PIN D-HOOD-1
檢圖	CHECK Angela	X ±0.2	ROHS COMPLIANT
認定	APPROVAL Angela	XX ±0.1	DATE 10.30.96'
		XXX ±0.05	版次 A-5
		ANGLE ±5°	UNIT mm(In)
			DWG.NO. 55-0080
			SCALE 2:1