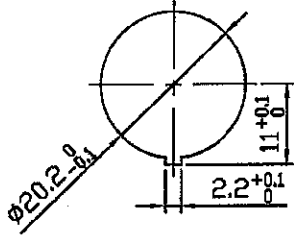
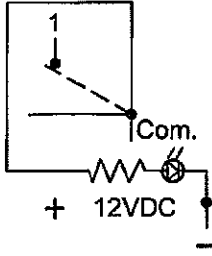


Rating	20A 14VDC	<b>Mounting Hole</b>  Thickness:0.7~3.0	<b>Circuit Diagram</b>  LED dependent
Contact Resistance	50m ohm Max.		
Insulation Resistance	DC 500V 100M ohm Min.		
Dielectric Strength	AC 1000V 1 minute		
Operation Temperature	-25°C~85°C		
Switch Function	3P SPST OFF-ON(LED dependent)		

**Material:**

Frame: Black, Nylon 66 (94-V2)

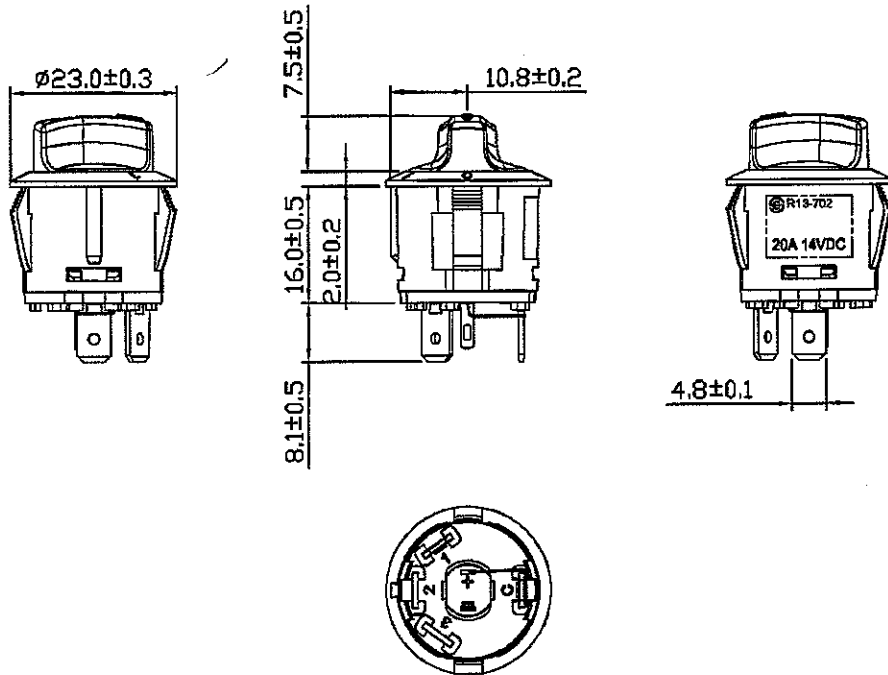
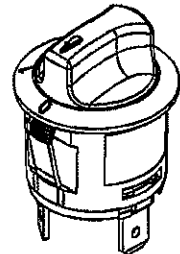
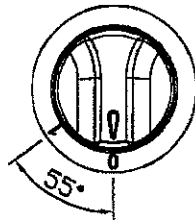
Actuator: Black, Nylon 66 (94-V2)

Lens: White diffuse

Terminals: Silver plated, Copper alloy

LED: Red

Hot stamping: White, 0,1



2015-2.4

								△	
								△	
								NO	
<b>Date</b>	<b>Name</b>	<b>Description</b>							
Drawn	Checked	Approved	SCI BOM No.		Model Name	ROTARY SWITCH			
曹盈芳		<i>王</i>	Customer No.		Model No.	R13-702A1-02-BBW-1DR00-1	Rev.		
01/13/15		<i>1/13/15</i>	Unit	mm			X0		