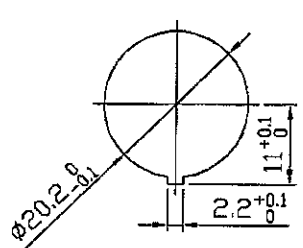
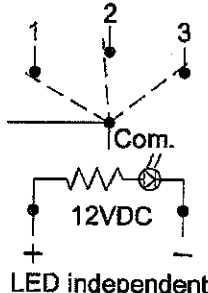
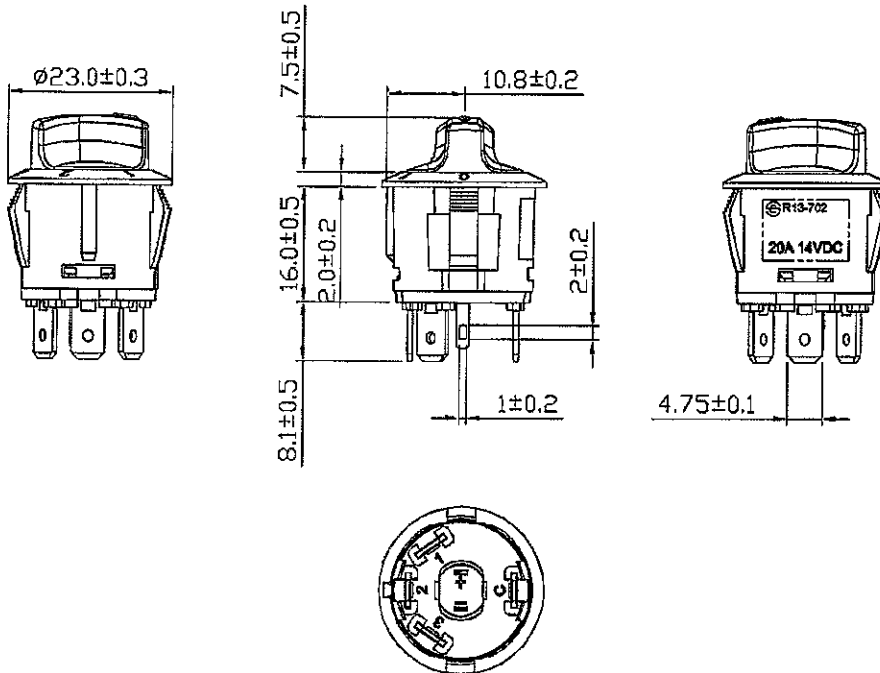
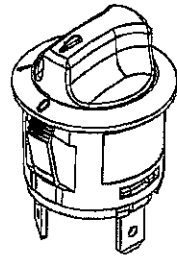
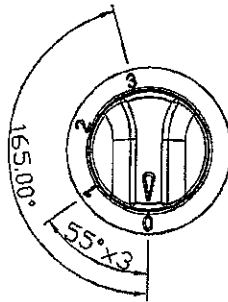


Rating	20A 14VDC	<b>Mounting Hole</b> 	<b>Circuit Diagram</b> 
Contact Resistance	50m ohm Max.		
Insulation Resistance	DC 500V 100M ohm Min.		
Dielectric Strength	AC 1000V 1 minute		
Operation Temperature	-25°C~85°C		
Switch Function	6P SP3T OFF-ON-ON-ON(LED independent)		

**Material:**  
 Frame: Black, Nylon 66 (94-V2)  
 Actuator: Black, Nylon 66 (94-V2)  
 Lens: White diffuse  
 Terminals: Silver plated, Copper alloy  
 LED: Red  
 Hot stamping: White, 0,1,2,3



C3\WORK\14\13-702C1-02-BBW-1LR00-1\_X0

					△ △	
Date	Name	Description				NO
Drawn	Checked	Approved	SCI BOM No.	1940015	Model Name	ROTARY SWITCH
B.S.Wang		<i>[Signature]</i>	Customer No.		Model No.	R13-702C1-02-BBW-1LR00-1
1/10/11		<i>[Signature]</i>	Unit	mm		REV.