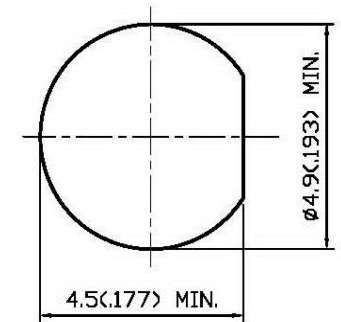
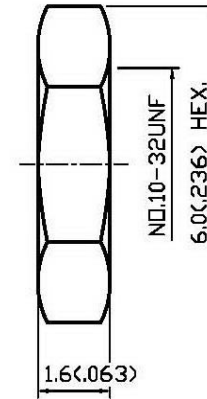
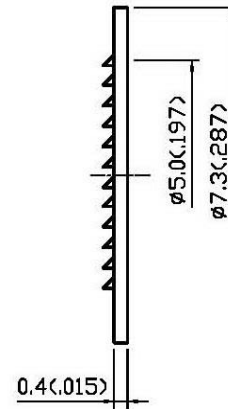
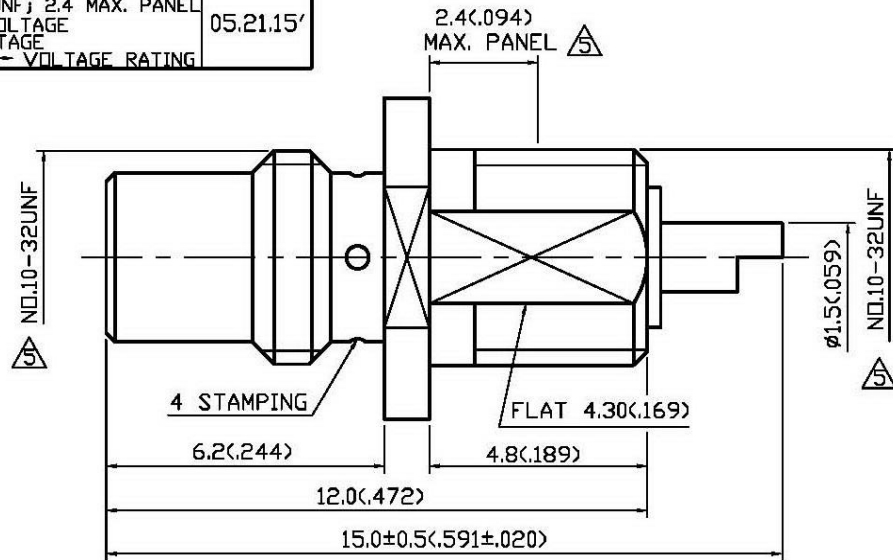


NO	DESCRIPTION	DATE
①	0.3 → 0.4	07.14.97'
②	BACKGROUND FORMAT UPDATED	07.17.02'
③	MODIFY DESIGN	06.09.03'
④	BACKGROUND FORMAT UPDATED	12.24.08'
⑤	NO.10-32UNEF → NO.10-32UNF ADD NO.10-32UNF; 2.4 MAX. PANEL DEL PROOF VOLTAGE WORKING VOLTAGE → VOLTAGE RATING	05.21.15'



MOUNTING HOLE

1.0 ELECTRICAL

- 1.1 FREQUENCY RANGE: DC-10 GHz
- 1.2 NOMINAL IMPEDANCE: 50 OHMS
- 1.3 VOLTAGE RATING: 335 VOLTS MAX. ⚠

2.0 MATERIALS

- 2.1 BODIES: BRASS PER JIS-C3604
- 2.2 CENTER CONTACT: BRASS PER JIS-C3604
- 2.3 INSULATION: TEFLON PER ASTM D1457 AND ASTM D1710

3.0 FINISHES AND OTHERS

3.1 SEE BELOW TABLE FOR DETAILS.

4.0 MECHANICAL

4.1 INTERFACE IN ACCORDANCE WITH: MIL-STD-348A

5.0 ENVIRONMENTAL

5.1 OPERATING TEMPERATURE RANGE: -65° C TO +165° C

NO	DESCRIPTION	MATERIAL	Q'TY	FINISH
5	NUT	BRASS	1	GOLD
4	WASHER	BRASS	1	GOLD
3	CENTER CONTACT	BRASS	1	GOLD 30 μ" MIN.
2	INSULATION	TEFLON	1	NONE
1	BODY	BRASS	1	GOLD 3 μ" MIN.



APPROVED

by _____

DATE: _____

DESCRIPTION		SMC STRAIGHT BULKHEAD JACK RECEPTACLE						
製圖	DRAWN	TOLERANCE	品名	26-07 T.G.G	日期	DATE	版次	REV.
	Kristin							
檢圖	CHECK	單位	單	UNIT	DWG.NO.	26-0002		
	Arc						.XX ±0.1	mm(in)
認定	APPROVAL	比例	SCALE					
	Jenny			ANGLE ±5°	8:1			