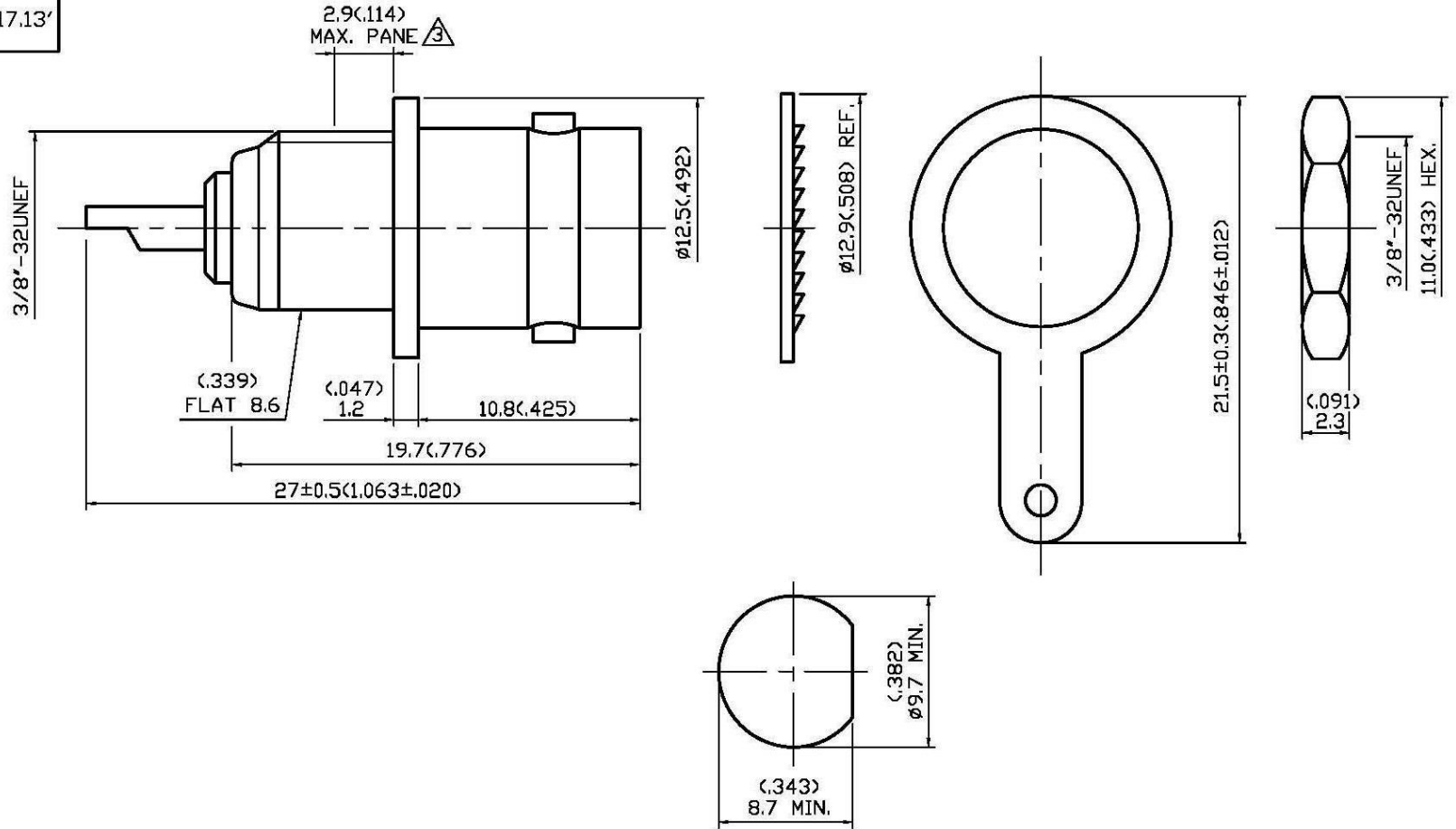


NO	DESCRIPTION	DATE
①	BACKGROUND FORMAT UPDATED CENTER CONTACT DIRCTION MODIFY	03.16.04'
②	BACKGROUND FORMAT UPDATED	08.11.09'
③	DEL PROOF VOLTAGE WORKING VOLTAGE → VOLTAGE RATING ADD 2.9 MAX. PANEL	04.17.13'



#### 1.0 ELECTRICAL

- 1.1 FREQUENCY RANGE: DC-1 GHz
- 1.2 NOMINAL IMPEDANCE: 75 OHMS
- 1.3 VOLTAGE RATING: 500 VOLTS MAX. ③

#### 2.0 MATERIALS

- 2.1 BODIES: BRASS PER JIS-C3604
- 2.2 CENTER CONTACT: BRASS PER JIS-C3604
- 2.3 INSULATION: TEFLON PER ASTM D1457 AND ASTM D1710

#### 3.0 FINISHES AND OTHERS

- 3.1 SEE BELOW TABLE FOR DETAILS.

#### 4.0 ENVIRONMENTAL

- 4.1 OPERATING TEMPERATURE RANGE: -65° C TO +165° C

NO	DESCRIPTION	MATERIAL	Q'TY	FINISH
7	INSULATION	TEFLON	1	NONE
6	BODY	BRASS	1	NICKEL 100μ" MIN.
5	CENTER CONTACT	BRASS	1	GOLD
4	INSULATION	TEFLON	1	NONE
3	GROUNDING TAB	BRASS	1	NICKEL
2	NUT	BRASS	1	NICKEL
1	WASHER	STEEL	1	NICKEL



APPROVED

by \_\_\_\_\_ DATE: \_\_\_\_\_

DESCRIPTION		BNC STRAIGHT BULKHEAD JACK RECEPTACLE	
製圖	DRAWN Yoko	TOLERANCE X ±0.2	品名 13-25 T.G.N
檢圖	CHECK Arc	XX ±0.1	TITLE ROHS COMPLIANT (75Ω)
認定	APPROVAL Angela	XXX ±0.05	DATE 12.02.92'
		ANGLE ±5°	版次 A-3
		UNIT mm(in)	DWG.NO. 13-0300
		比例 4:1	SCALE