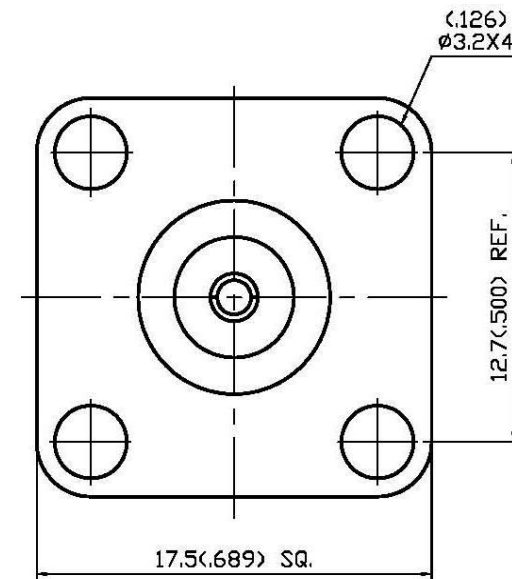
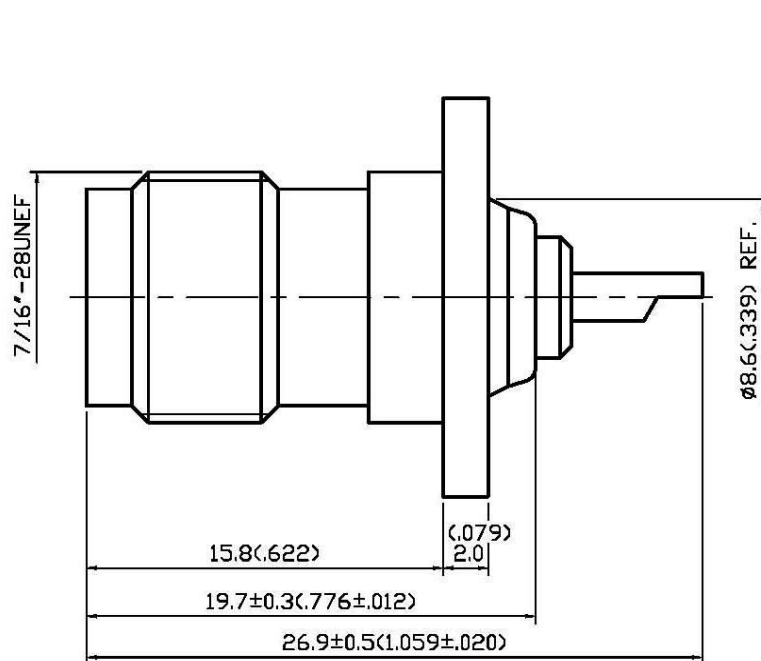


NO	DESCRIPTION	DATE
①	BACKGROUND FORMAT UPDATED	04.23.03
②	BACKGROUND FORMAT UPDATED	10.14.08'
③	DEL INTERFACE	02.20.12'
④	WORKING VOLTAGE → VOLTAGE RATING DEL PROOF VOLTAGE ADD VSWR	05.21.14'



1.0 ELECTRICAL

- 1.1 FREQUENCY RANGE: DC-11 GHz
- 1.2 NOMINAL IMPEDANCE: 50 OHMS
- 1.3 VOLTAGE RATING: 500 VOLTS MAX. ④
- 1.4 VSWR: 1.3 MAX. @3 GHz ④

2.0 MATERIALS

- 2.1 BODIES: BRASS PER JIS-C3804
- 2.2 CENTER CONTACT: BERYLLIUM COPPER PER ASTM B196 UNS C17300
- 2.3 INSULATION: TEFLON PER ASTM D1457 AND ASTM D1710
- 2.4 SQUARE FLANGE: BRASS PER JIS-C2880

3.0 FINISHES AND OTHERS

3.1 SEE BELOW TABLE FOR DETAILS.

4.0 ENVIRONMENTAL

4.1 OPERATING TEMPERATURE RANGE: -65° C TO +165° C

5	SQUARE FLANGE	BRASS	1	SILVER 70 μ" MIN.
4	INSULATION	TEFLON	1	NONE
3	INSULATION	TEFLON	1	NONE
2	CENTER CONTACT	BERYLLIUM COPPER	1	SILVER 70 μ" MIN.
1	BODY	BRASS	1	SILVER 70 μ" MIN.
NO	DESCRIPTION	MATERIAL	Q'TY	FINISH



APPROVED by _____ DATE: _____

DESCRIPTION		TNC STRAIGHT SQUARE FLANGE JACK RECEPTACLE							
製圖	DRAWN	TOLERANCE	品名	15-30	T.S.S	日期	DATE	版次	REV.
	Yoko			±0.2			ROHS COMPLIANT (50Ω)		
檢圖	CHECK	.XX	.XX	單位	UNIT	DWG.NO.	15-0117	SCALE	比例
	Arc								
認定	APPROVAL	.XXX	±0.05	ANGLE	±5°	SCALE	比例	4:1	比例
	Jenny								