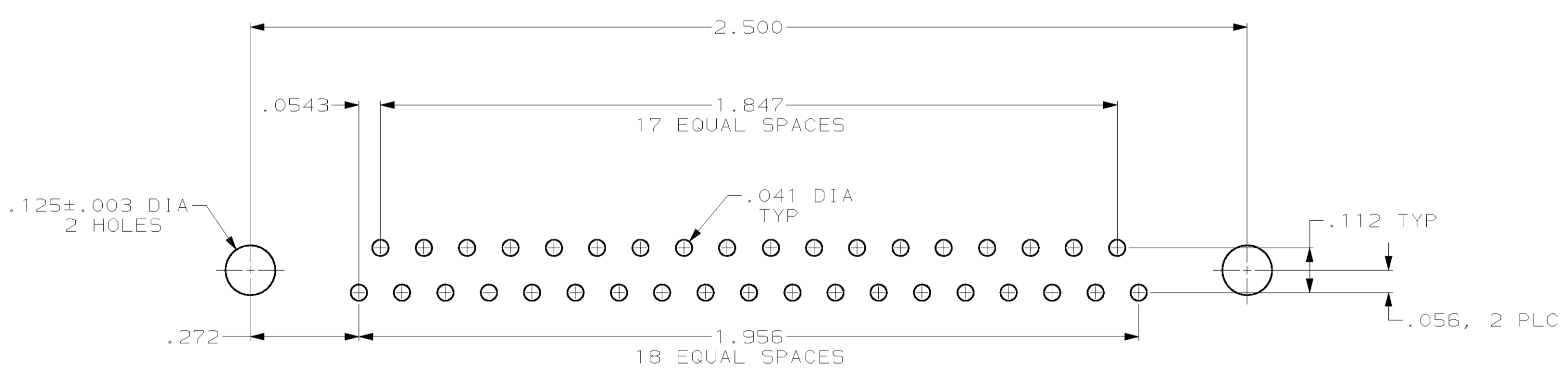
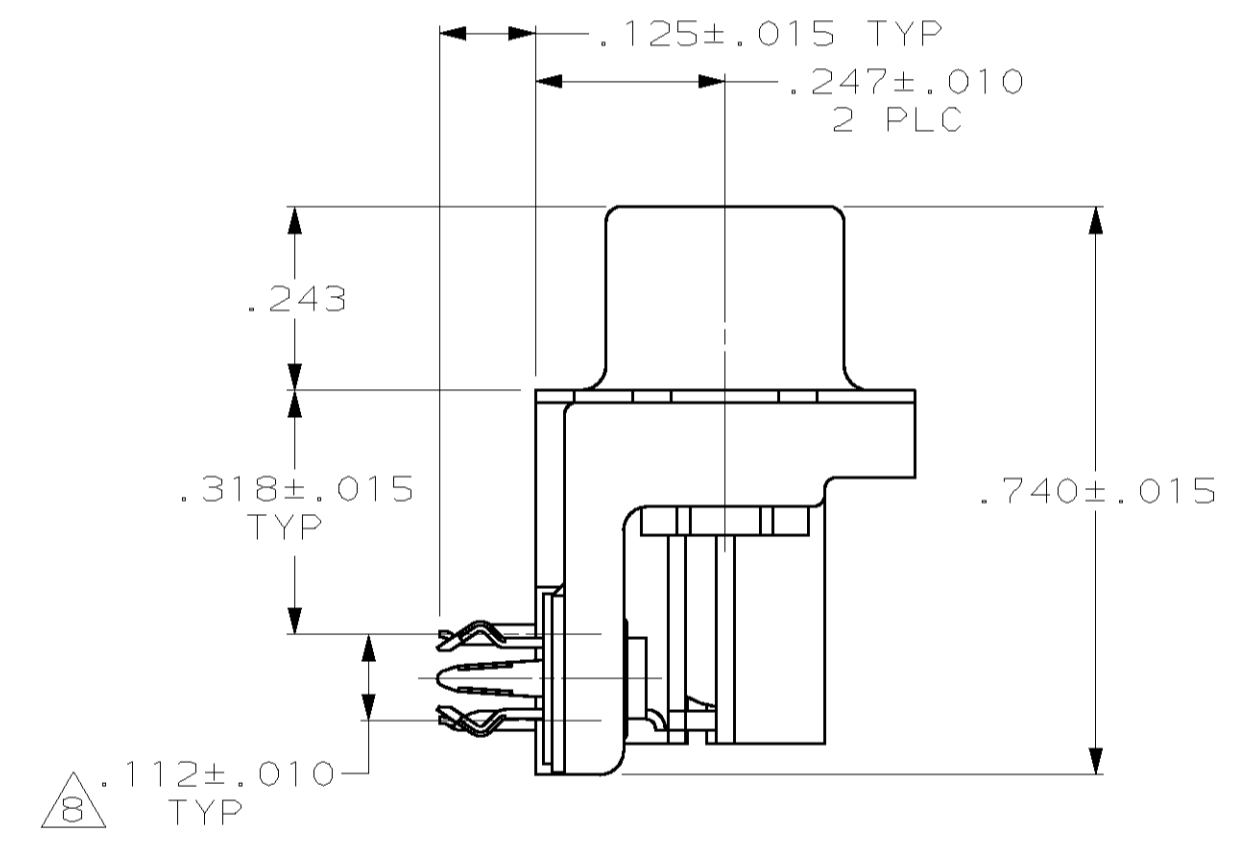
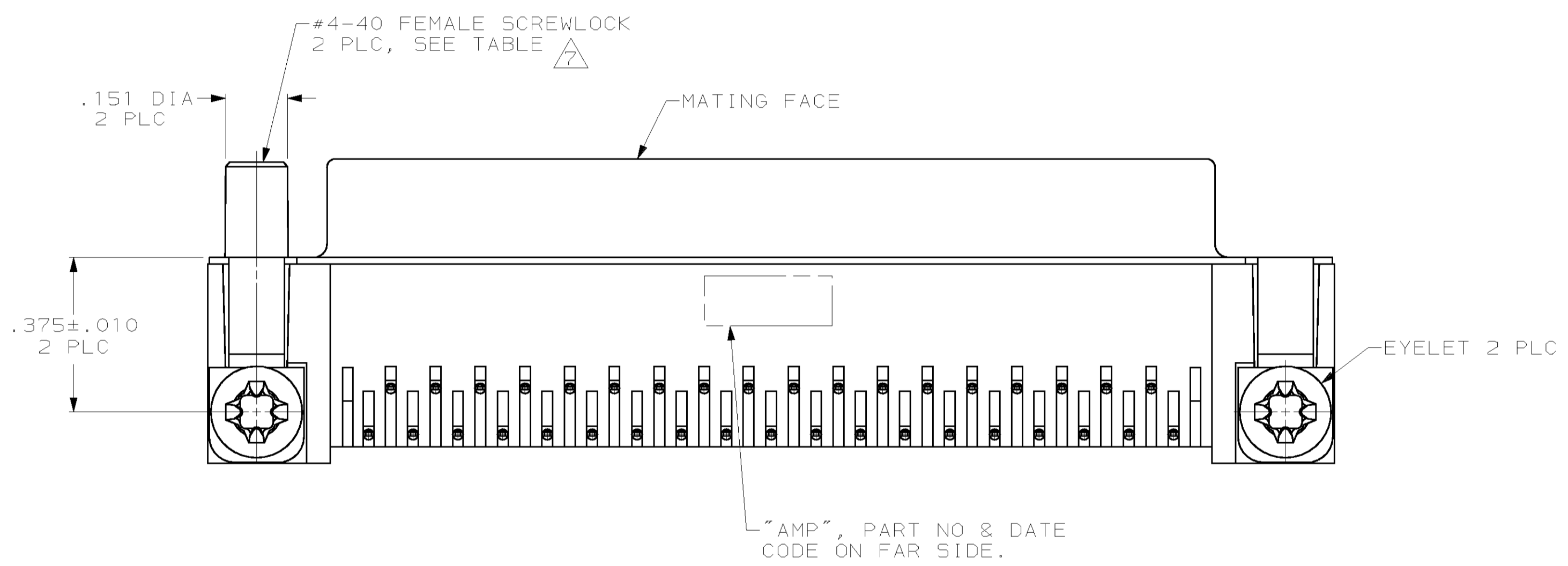
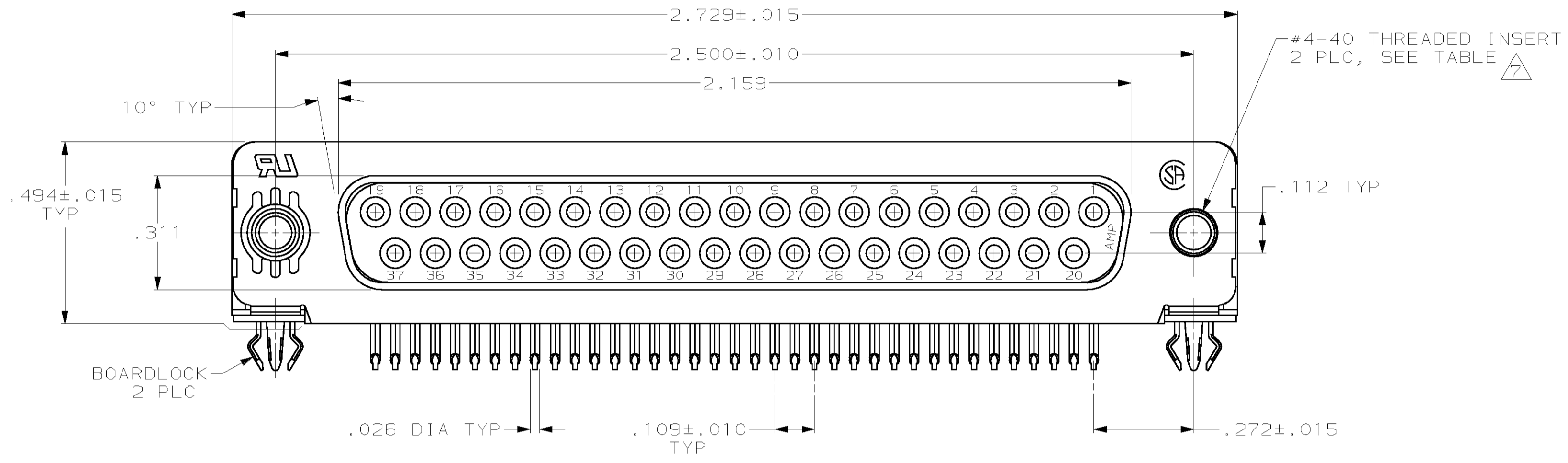


LOC	DIST	REV	DESCRIPTION	DATE	ENGR	APPROV
BD	77	S	REV PER EC 0640-0285-99	15FEB00	DD	KB
		T	REV PER EC 0U1D-0142-00	08 MAY 00	DB	JK
		U	REV PER EC 0U1D-0224-00	31 AUG 00	DB	JK



- CONNECTOR MATES WITH ANY 37 POSN PLUG IN AMPLIMITE™ SERIES.
- MOLDED PARTS: FLAME RETARDANT 94V-0 RATED THERMOPLASTIC, BLACK.
SHELL: STEEL PER ASTM A109
CONTACTS: PHOSPHOR BRONZE PER QQ-B-750
EYELETS: BRASS
INSERTS AND SCREWLOCKS: ZINC
BOARDLOCKS: COPPER ALLOY
- SHELL: .000100 MIN TIN OR TIN-LEAD
CONTACTS: SEE TABLE
EYELETS: TIN
BOARDLOCKS: TIN-LEAD
INSERTS AND SCREWLOCKS: CLEAR CHROMATE
- GOLD PLATING PER MIL-G-45204, NICKEL PLATING PER QQ-N-290, TIN PLATING PER MIL-T-10727.
- GOLD FLASH FOR A DISTANCE OF .100 MIN FROM MATING END, .000100-.000200 BRIGHT TIN OR BRIGHT TIN-LEAD ON TERMINATION END, ALL OVER .000050 NICKEL ON ENTIRE CONTACT.
- .000030 GOLD FOR A DISTANCE OF .100 MIN FROM MATING END, .000100-.000200 BRIGHT TIN OR BRIGHT TIN-LEAD ON TERMINATION END, ALL OVER .000050 NICKEL ON ENTIRE CONTACT.
- SCREWLOCKS & INSERTS WILL WITHSTAND 4 IN-LBS TORQUE & 20 LBS PULL OUT FORCE FROM MATING FACE SIDE.
- DIMENSION APPLIES FROM CENTER OF CONTACTS.

SUPSD BY 747847-6	FEMALE SCREWLOCKS	747847-6
	FEMALE SCREWLOCKS	747847-5
	THREADED INSERTS	747847-4
SUPSD BY 747847-4	THREADED INSERTS	747847-3
SUPSD BY 747847-2	.125 DIA HOLES	747847-2
OBSOLETE	.125 DIA HOLES	747847-1
	MOUNTING HARDWARE	CONTACT FINISH
		PART NUMBER

THIS DRAWING IS A CONTROLLED DOCUMENT.

DIMENSIONS INCHES	TOLERANCES UNLESS OTHERWISE SPECIFIED	0 PLC ±.005	1 PLC ±.005	2 PLC ±.005	3 PLC ±.005	4 PLC ±.005	ANGLES ±.2°
-------------------	---------------------------------------	-------------	-------------	-------------	-------------	-------------	-------------

MATERIAL AND FINISH: AND CALLOUTS

THIS DRAWING IS A CONTROLLED DOCUMENT. DWG: J. GALLUCCI/BG 28-JAN-91. CHK: W.G. LENKER 15-APR-91. APVD: J. YOUNG 15-APR-91. NAME: RECEPTACLE ASSEMBLY, SIZE 4, 37 POSITION, RIGHT ANGLE, FRONT METAL SHELL, .318 SERIES, .026 DIA POSTS, BOARDLOCKS, AMPLIMITE™ HD-20. PRODUCT SPEC: 108-40025. APPLICATION SPEC: 114-40010. SIZE: A1. CAGE CODE: 00779. DRAWING NO: 747847. WEIGHT: -. RESTRICTED TO: -. SCALE: 4:1. SHEET: 1 OF 1. REV: U.