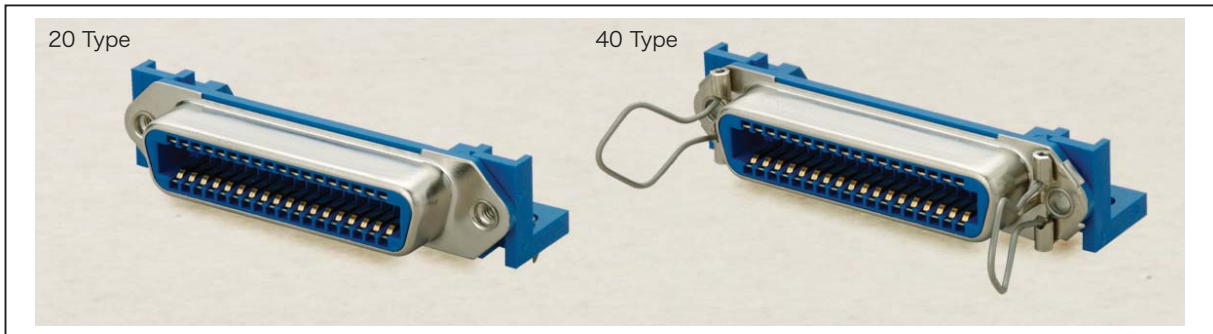


Right Angle Solder Termination Connector

57LE Series



OUTLINE

- Metalized shell for EMI Shield
- Intermatable with each 57, 57F, 57FE, 57JE series plug connectors.
- UL applied (File No. E72124)

SPECIFICATIONS

| | |
|---------------------------------|----------------------------------|
| Rated Voltage | 500V AC (r.m.s.) |
| Rated Current | 3A / Contact |
| Dielectric Withstanding Voltage | 1200V AC (r.m.s.) at 1 minute |
| Insulation Resistance | 1000M Ω (min.) at 500V DC |
| Contact Resistance | 35m Ω (max.) |
| Operating Temperature | -55°C~ 105°C |



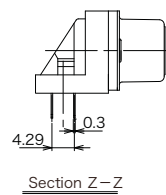
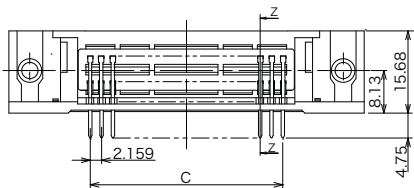
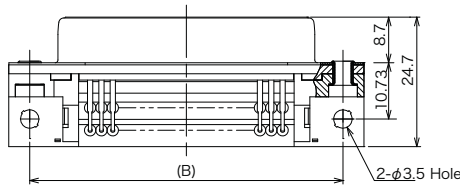
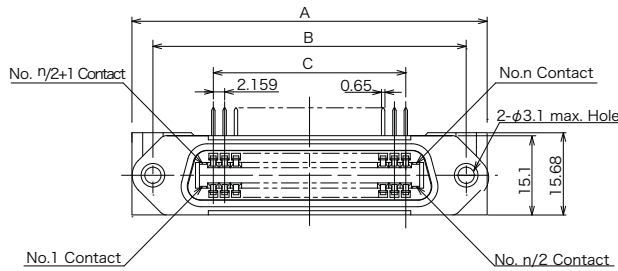
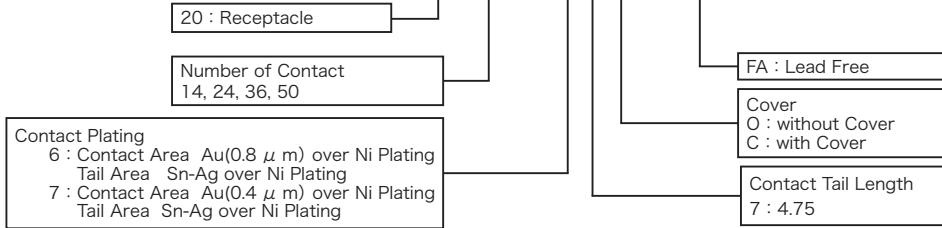
MATERIAL/FINISH

| ITEM | MATERIAL / FINISH |
|-----------|---|
| Insulator | PBT Resin(UL94V-0) / Blue |
| Shell | Steel or Brass / Ni Plating |
| Contact | Copper Alloy / Contact Area: Au over Ni Plating Tail Area: Sn-Ag Plating |
| Bail Lock | Stainless Steel |

© Specifications and/or dimensions in this catalogue are subject to change without notice.
Your catalogue checking the latest specifications with our drawings would be highly appreciated.

▶ 20 Type Receptacle

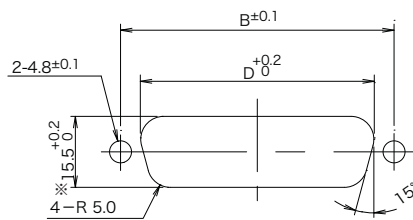
57LE-20500-7700-FA



| Number of Contact | Part Number | A | B | C |
|-------------------|--------------------|-------|-------|--------|
| 14 | 57LE-20140-□7□0-FA | 44.00 | 36.00 | 12.954 |
| 24 | 57LE-20240-□7□0-FA | 54.78 | 46.78 | 23.749 |
| 36 | 57LE-20360-□7□0-FA | 67.74 | 59.74 | 36.703 |
| 50 | 57LE-20500-□7□0-FA | 82.85 | 74.85 | 51.816 |

Panel Mounting Dimensions

● Rear Mounting



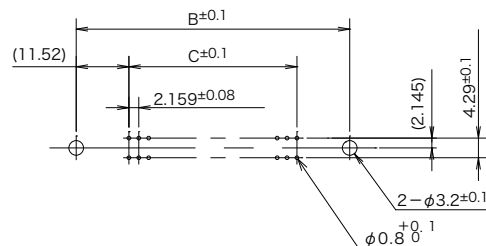
※ : When mating connector is 57FE-10 type, dimension "※" is $16.2^{+0.2}_0$.

| Number of Contact | B | D |
|-------------------|-------|------|
| 14 | 36.00 | 29.3 |
| 24 | 46.78 | 40.1 |
| 36 | 59.74 | 53.0 |
| 50 | 74.85 | 68.2 |

Panel Thickness : 1.6mm max.

Recommended PCB Mounting Dimensions

(PCB Thickness: t=1.6mm)

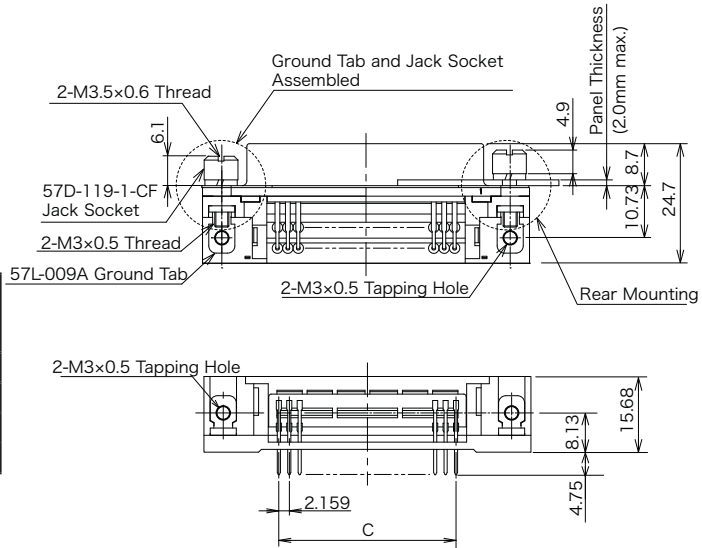
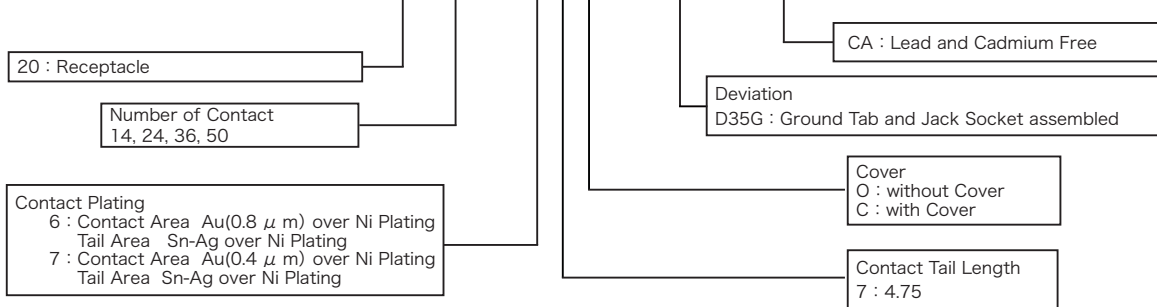


| Number of Contact | B | C |
|-------------------|-------|--------|
| 14 | 36.00 | 12.954 |
| 24 | 46.78 | 23.749 |
| 36 | 59.74 | 36.703 |
| 50 | 74.85 | 51.816 |

© Specifications and/or dimensions in this catalogue are subject to change without notice.
Your catalogue checking the latest specifications with our drawings would be highly appreciated.

▶ 20 Type Receptacle

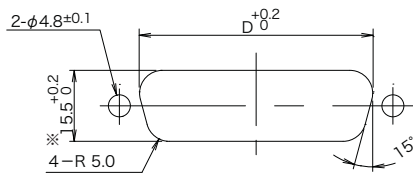
57LE-20500-7700D35G-CA



| Number of Contact | Part Number | C |
|-------------------|------------------------|--------|
| 14 | 57LE-20140-□7□0D35G-FA | 12.954 |
| 24 | 57LE-20240-□7□0D35G-FA | 23.749 |
| 36 | 57LE-20360-□7□0D35G-FA | 36.703 |
| 50 | 57LE-20500-□7□0D35G-FA | 51.816 |

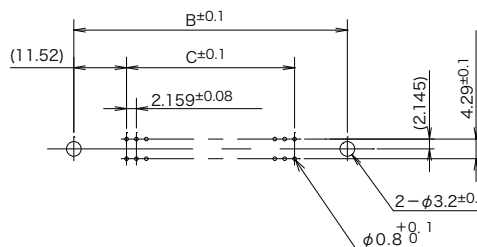
Panel Mounting Dimensions

● Rear Mounting



Recommended PCB Mounting Dimensions

(PCB Thickness: t=1.6mm)



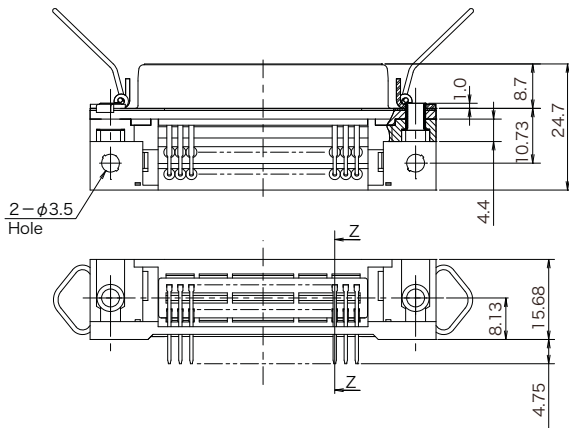
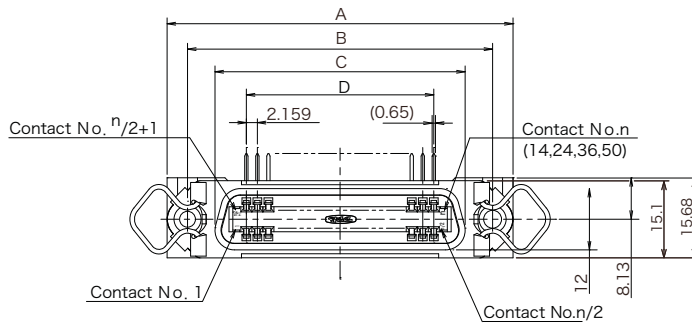
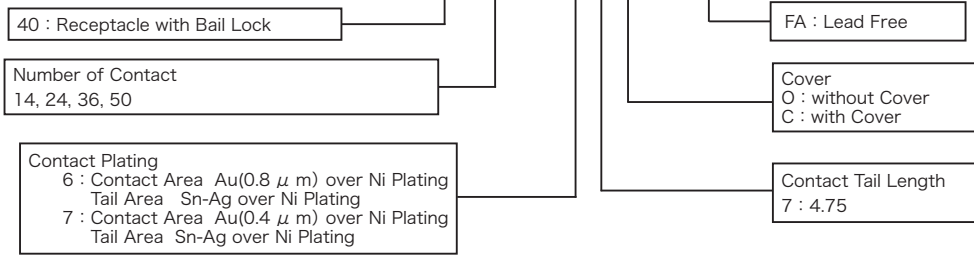
※ : When mating connector is 57FE-10 type, dimension "※" is $16.2^{+0.2}_0$.

| Number of Contact | B | D |
|-------------------|-------|------|
| 14 | 36.00 | 29.3 |
| 24 | 46.78 | 40.1 |
| 36 | 59.74 | 53.0 |
| 50 | 74.85 | 68.2 |

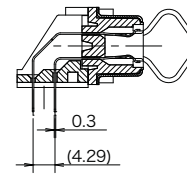
| Number of Contact | B | C |
|-------------------|-------|--------|
| 14 | 36.00 | 12.954 |
| 24 | 46.78 | 23.749 |
| 36 | 59.74 | 36.703 |
| 50 | 74.85 | 51.816 |

Panel Thickness : 1.6mm max.

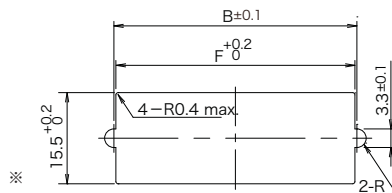
© Specifications and/or dimensions in this catalogue are subject to change without notice.
Your catalogue checking the latest specifications with our drawings would be highly appreciated.

▶ 40 Type Receptacle
57LE-40360-7700-FA


| Number of Contact | A | B | C | D |
|-------------------|-------|-------|-------|--------|
| 14 | 44.00 | 36.00 | 25.36 | 12.954 |
| 24 | 54.78 | 46.78 | 36.23 | 23.749 |
| 36 | 67.74 | 59.74 | 49.05 | 36.703 |
| 50 | 82.85 | 74.85 | 64.22 | 51.816 |



Section Z-Z

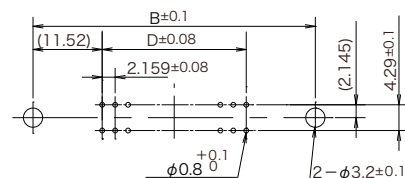
Panel Mounting Dimensions
● Rear Mounting

 ※ : When mating connector is 57FE-10 type, dimension "※" is 16.2^{+0.2}₀.

| Number of Contact | B | F |
|-------------------|-------|-------|
| 14 | 36.00 | 35.30 |
| 24 | 46.78 | 46.08 |
| 36 | 59.74 | 59.04 |
| 50 | 74.85 | 74.15 |

Panel Thickness : 1.6mm max.

Recommended PCB Mounting Dimensions

(PCB Thickness: t=1.6mm)

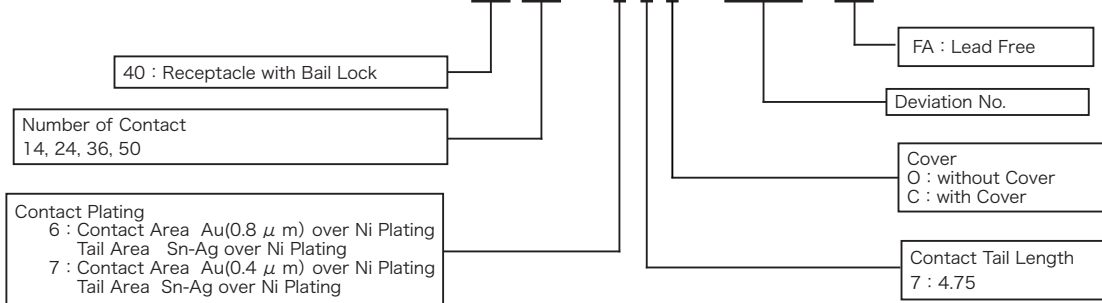


| Number of Contact | B | D |
|-------------------|-------|--------|
| 14 | 36.00 | 12.954 |
| 24 | 46.78 | 23.749 |
| 36 | 59.74 | 36.703 |
| 50 | 74.85 | 51.816 |

 © Specifications and/or dimensions in this catalogue are subject to change without notice.
 Your catalogue checking the latest specifications with our drawings would be highly appreciated.

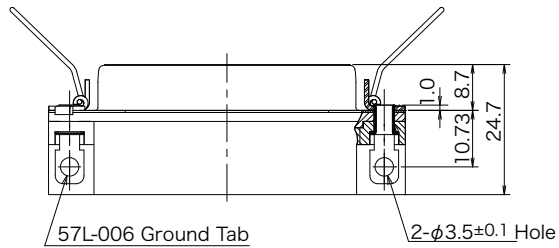
▶ 40 Type Receptacle Deviations

57LE-40360-7700(Dxx)-FA



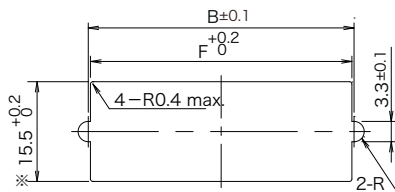
57LE-40360-7700(D3)-FA

(D3) : Ground Tab (57L-006) With Hole Assembled



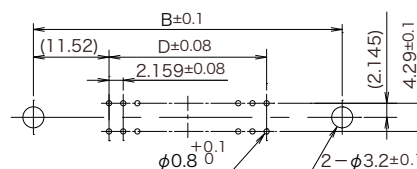
Panel Mounting Dimensions

● Rear Mounting



Recommended PCB Mounting Dimensions

(PCB Thickness: t=1.6mm)



※ : When mating connector is 57FE-10 type, dimension "※" is 16.2^{+0.2}₀.

| Number of Contact | B | F |
|-------------------|-------|-------|
| 14 | 36.00 | 35.30 |
| 24 | 46.78 | 46.08 |
| 36 | 59.74 | 59.04 |
| 50 | 74.85 | 74.15 |

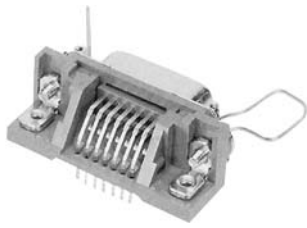
Panel Thickness : 1.6mm max.

| Number of Contact | B | D |
|-------------------|-------|--------|
| 14 | 36.00 | 12.954 |
| 24 | 46.78 | 23.749 |
| 36 | 59.74 | 36.703 |
| 50 | 74.85 | 51.816 |

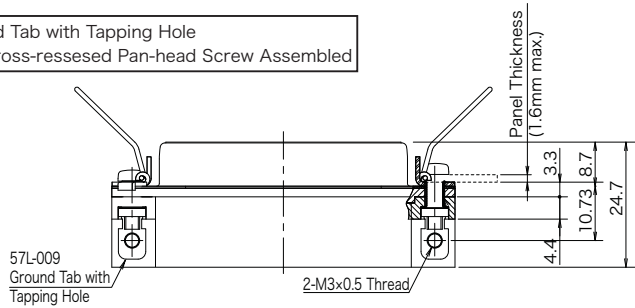
© Specifications and/or dimensions in this catalogue are subject to change without notice.
Your catalogue checking the latest specifications with our drawings would be highly appreciated.

▶ 40 Type Receptacle Deviations

57LE-40360-7700(D12)-FA

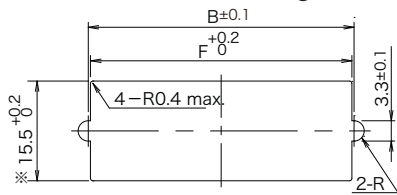


(D12) : Ground Tab with Tapping Hole and Cross-ressed Pan-head Screw Assembled



Panel Mounting Dimensions

● Rear Mounting



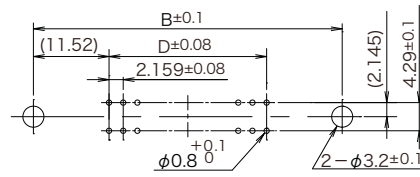
※ : When mating connector is 57FE-10 type, dimension "※" is 16.2^{+0.2}₀.

| Number of Contact | B | F |
|-------------------|-------|-------|
| 14 | 36.00 | 35.30 |
| 24 | 46.78 | 46.08 |
| 36 | 59.74 | 59.04 |
| 50 | 74.85 | 74.15 |

Panel Thickness : 1.6mm max.

Recommended PCB Mounting Dimensions

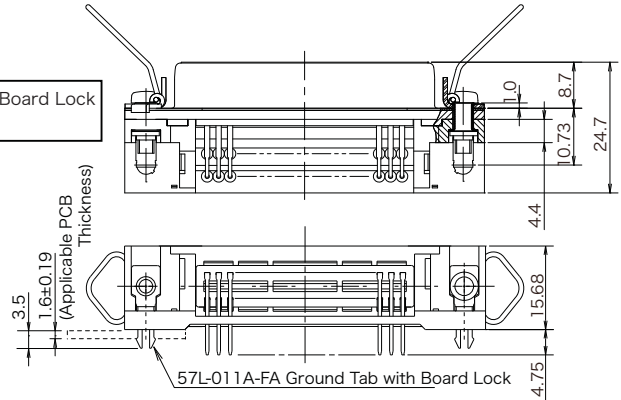
(PCB Thickness: t=1.6mm)



57LE-40360-7700(D29)-FA

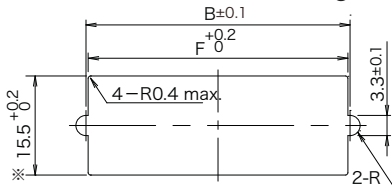


(D29) : Ground Tab with Board Lock Assembled



Panel Mounting Dimensions

● Rear Mounting



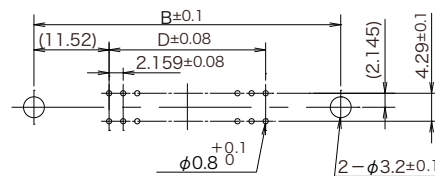
※ : When mating connector is 57FE-10 type, dimension "※" is 16.2^{+0.2}₀.

| Number of Contct | B | F |
|------------------|-------|-------|
| 14 | 36.00 | 35.30 |
| 24 | 46.78 | 46.08 |
| 36 | 59.74 | 59.04 |
| 50 | 74.85 | 74.15 |

Panel Thickness : 1.6mm max.

Recommended PCB Mounting Dimensions

(PCB Thickness: t=1.6mm)



| Number of Contact | B | D |
|-------------------|-------|--------|
| 14 | 36.00 | 12.954 |
| 24 | 46.78 | 23.749 |
| 36 | 59.74 | 36.703 |
| 50 | 74.85 | 51.816 |

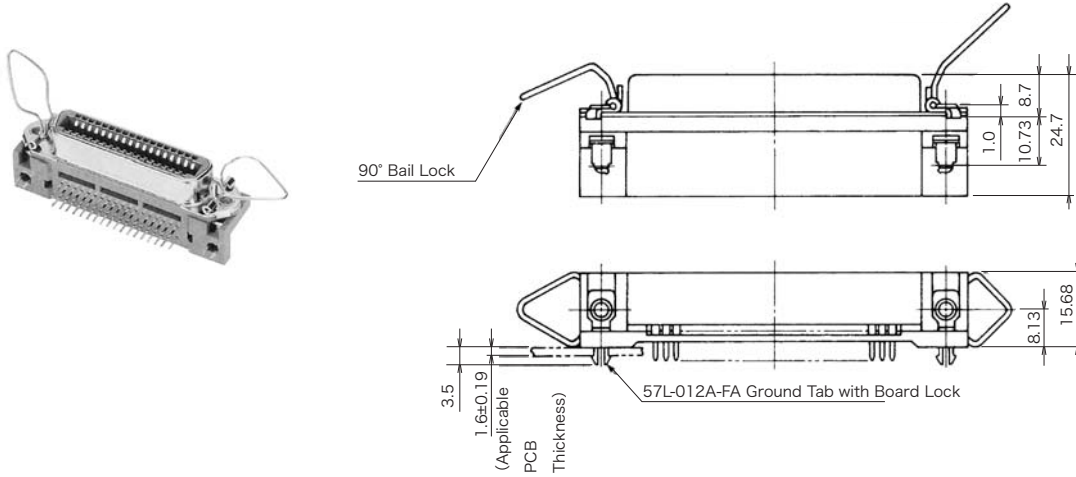
© Specifications and/or dimensions in this catalogue are subject to change without notice.
Your catalogue checking the latest specifications with our drawings would be highly appreciated.

▶ 40 Type Receptacle Deviations

57LE-40360-7700(D34)-FA

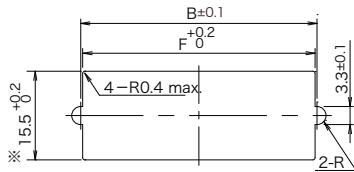
Contact Tail Length
3 : 3.2
7 : 4.75

(D34) : Ground Tab with Board Lock
and 90° Bail Lock Assembled



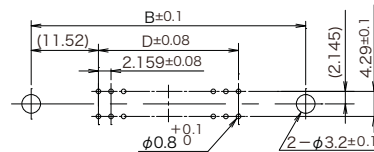
Panel Mounting Dimensions

● Rear Mounting



Recommended PCB Mounting Dimensions

(PCB Thickness: t=1.6mm)



※ : When mating connector is 57FE-10 type, dimension "※" is $16.2^{+0.2}_0$.

| Number of Contact | B | F |
|-------------------|-------|-------|
| 14 | 36.00 | 35.30 |
| 24 | 46.78 | 46.08 |
| 36 | 59.74 | 59.04 |
| 50 | 74.85 | 74.15 |

| Number of Contact | B | D |
|-------------------|-------|--------|
| 14 | 36.00 | 12.954 |
| 24 | 46.78 | 23.749 |
| 36 | 59.74 | 36.703 |
| 50 | 74.85 | 51.816 |

Panel Thickness : 1.6mm max.