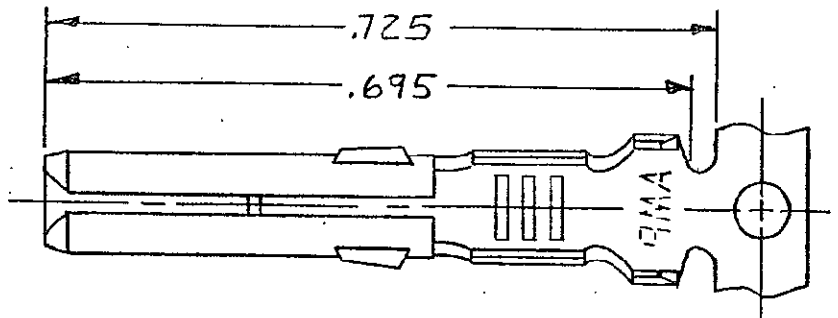
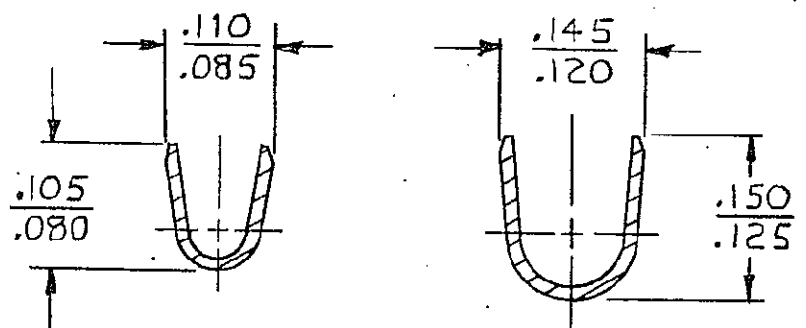
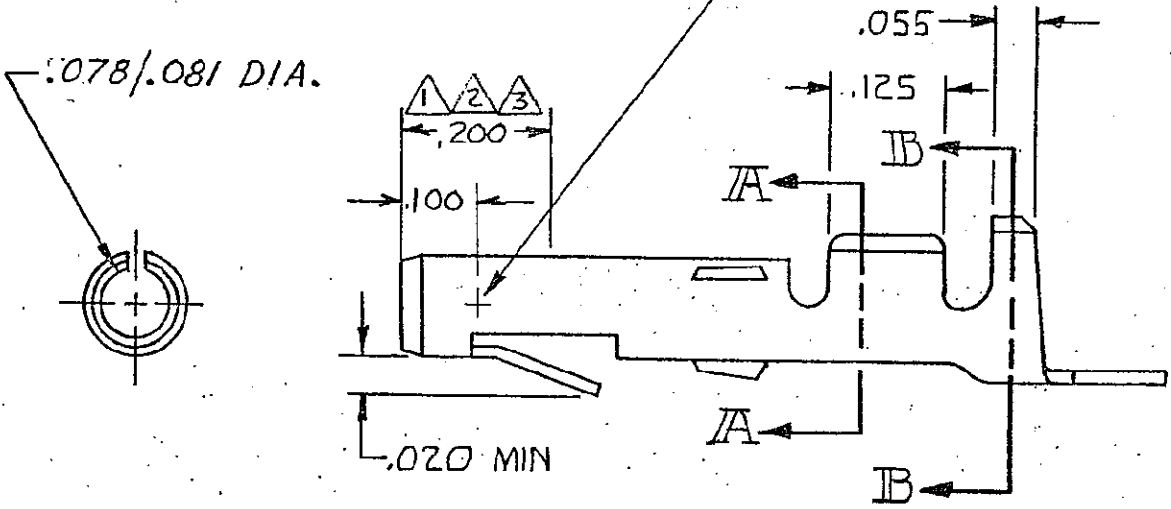


© COPYRIGHT — BY —

		1		LOC	CM	DIST	53
REVISIONS							
P	F	ZONE	LTR	DESCRIPTION	DATE	APPROVED	
			AB1	REVISED PER ECO-11-005294	5APR11	HMR	



POINT OF MEASUREMENT INSIDE OF RECEPTACLE



SECTION A-A SECTION B-B

- 1 NICKEL ON ENTIRE TERMINAL WITH .000030 GOLD OVER INSIDE OF MATING AREA AND WIRE BARREL.
- 2 GOLD FLASH OVER NICKEL ON ENTIRE TERMINAL WITH .000030 GOLD OVER MATING AREA.
- 3 NICKEL ON ENTIRE TERMINAL WITH .000030 GOLD OVER INSIDE OF MATING AREA.

APPLICATOR TYPE	FINISH	MATERIAL	PART NO
MINI	GOLD 3	.012 BRASS	61314-7
	GOLD 3	PH. BRZ.	-6
	GOLD 1	BRASS	-5
	PRE-TIN	PH. BRZ	-4
	—	PH. BRZ.	-3
	—	BRASS	-2
MINI	PRE-TIN	.012 BRASS	61314-1

UNLESS OTHERWISE SPECIFIED DIMENSIONS ARE IN INCHES. TOLERANCES ON: DECIMALS ±.015 ANGLES ±	CONTRACT NO	TE Connectivity	
	DR <i>M. FEHER 11-30-79</i>		
MATERIAL SEE TABLE	CHK <i>D. S. Heide 12/11/79</i>	NAME SOCKET, COMMERCIAL MATE-N-LOK™	
	APPD <i>R. Polachuk 12/12/79</i>	SIZE B	CODE IDENT NO 00779
FINISH SEE TABLE	WIRE RANGE 24-18 AWG	DRAWING NO 61314	
	INSULATION DIA .100 MAX	SCALE 5-1	SHEET 1 OF 1