

## FEATURES

- Voltage rating 12V dc
- Internal circuitry for dc operation
- High output levels
- Operating Temperature -20°C to 60°C
- Flanged mounting buzzer
- Flying lead connections

## RS PRO 96dB, Panel Mount Continuous Internal Piezo Buzzer

RS Stock No.: 617-3097



RS Professionally Approved Products bring to you professional quality parts across all product categories. Our product range has been tested by engineers and provides a comparable quality to the leading brands without paying a premium price.

**Product Description ATTRIBUTE 1**

RS Pro 10mA/20VDC Piezo Buzzer with ABS housing with 28AWG flange mounted wire leads, 96dB sound level, 2.8kHz resonant frequency, PCB mount and continuous tone.

**General Specifications**

<b>Mounting Type</b>	Panel Mount
<b>Sound Level</b>	96dB
<b>Drive Type</b>	Internal
<b>Tone Type</b>	Continuous
<b>Leads</b>	Flying Lead Connections
<b>Circuit</b>	Internal circuitry for dc operation
<b>Housing Material</b>	ABS

**Electrical Specifications**

<b>Minimum Supply Voltage</b>	1.5V dc
<b>Maximum Supply Voltage</b>	20V dc
<b>Maximum Frequency</b>	3.3kHz
<b>Minimum Frequency</b>	2300Hz
<b>Supply Current</b>	10mA

## Mechanical Specifications

Diameter	41.8mm
Height	16mm
Dimensions	41.8 x 16mm
Weight	15g
Lead Wire	UL1095 AWG 28

## Operation Environment Specifications

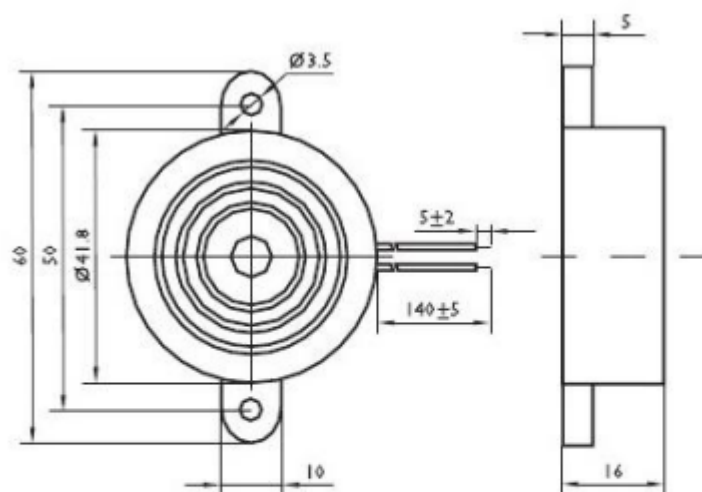
Minimum Operating Temperature	-20°C
Maximum Operating Temperature	60°C

## Approvals

Compliance/Certifications	RoHS
---------------------------	------



## Dimensions:



Dimensions Unit: mm

Tolerance: ±0.5mm