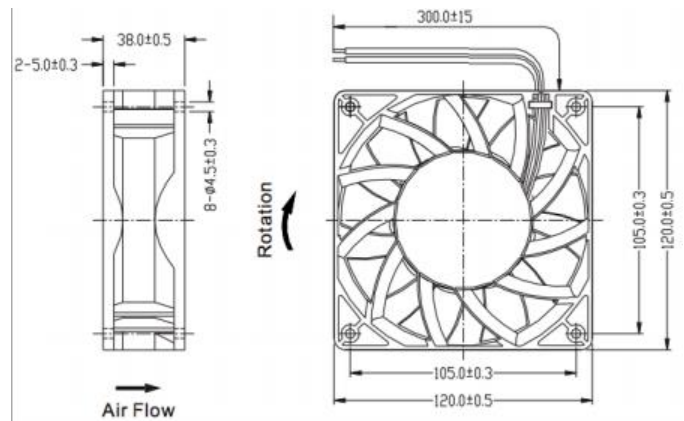


Datasheet

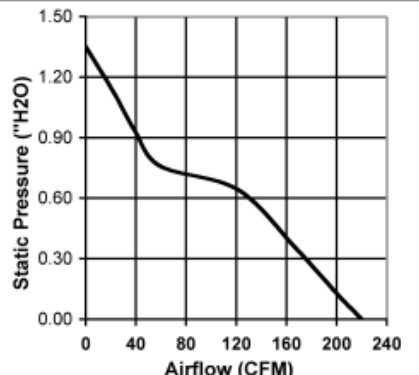
DC Axial Fan

RS Stock number 703-3467

Dimensions: (mm)



Specification

Frame & Impeller	PBT, UL94V-O plastic	Available Options: Tachometer (Frequency Generator) Alarm (Rotation Detector) Thermistor (Thermal Speed Control) Lead or hub mounted	 <p>Static Pressure ("H2O)</p> <p>Airflow (CFM)</p>
Connection	2x Lead wires 24AWG		
Motor	Brushless DC, auto restart, polarity protected		
Bearing System	Dual ball bearing		
Insulation Resistance	10M ohm between leadwire and frame (500VDC)		
Dielectric Strength	1 second at 500 VAC, max leakage - 500 MicroAmp		
Temperature Range	-10C ~ +70C		
Life (L10)	65,000 hours (45C)		

RS Order number	7033467	7033464	7033476
Model Number	OD1238-12HB-VXC	OD1238-24HB-VXC	OD1238-48HB-VXC
Part Number	120141001	120241001	120441001
Nominal Voltage	12 VDC	24 VDC	48 VDC
Nominal Current	3.6 A	1.7 A	1.0 A
Voltage Range	6 ~ 14 VDC	12 ~ 28 VDC	24 ~ 55 VDC
Rated Speed (RPM)	5000	5000	5000
Airflow (CFM)	226	226	226
Noise Level (dB)	65	65	65
Max. Static Pressure	1.35 "H2O	1.35 "H2O	1.35 "H2O