

Datasheet

RS Pro Transistor Pad For Use With T092 Transistor

RS Stock No: **713-3687**



Product Details

RS Pro transistor pad provides a mechanical support to conveniently mount PCB transistors. It has a black flame retardant PP construction for added durability and withstand maximum operating temperature up to 100 deg C. This TO5 provides 2.8 mm spacing for three or four lead devices. The pad is compatible with T092 transistor.

Features and Benefits

- Transistor pads provide a convenient method of giving PCB mounted transistors mechanical support
- TO5 provides a 2.8 mm spacing for three or four lead devices
- Made from Black flame retardant PP
- Maximum operating temperature 100°C
- Height above board 3.0 mm

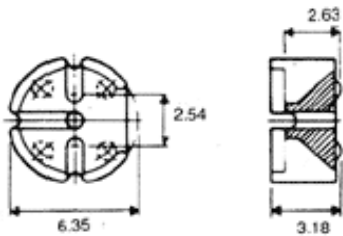
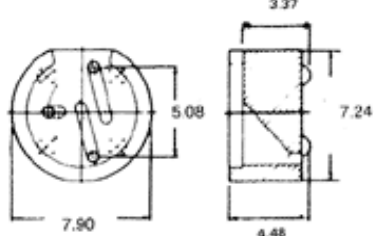
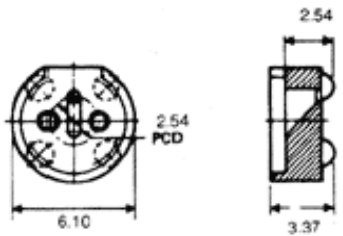
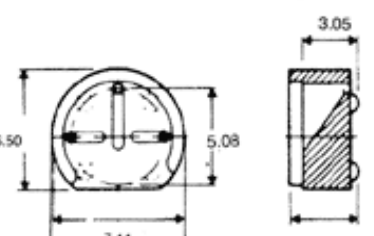
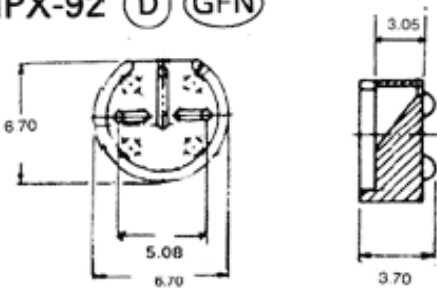
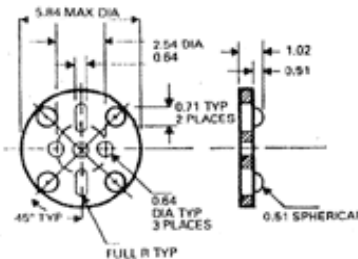


ENGLISH

Specifications:

Accessory Type	Transistor Washers
For Use With	T092 Transistor
Material	PET
Colour	Black
Maximum Operating Temperature	+100°C

TRANSISTOR MOUNTING PADS

<p>MPX-02 (P) (D)</p> 	<p>MPX-03 (D) (GFN)</p> 
<p>MPX-04 (WN)</p> 	<p>MPX-05 (D) (GFN) (N)</p> 
<p>MPX-92 (D) (GFN)</p> 	<p>M17-13 (N)</p> 

Key D = Glass Filled Polyester Suggested Continuous Operating Temp range = -40°C to +160°C
 N / WN = Nylon / White Nylon Suggested Continuous Operating Temp range = -40°C to + 80°C
 GFN = Glass Filled Nylon Suggested Continuous Operating Temp range = -40°C to + 110°C
 P = Polypropylene Suggested Continuous Operating Temp range = -20°C to + 80°C