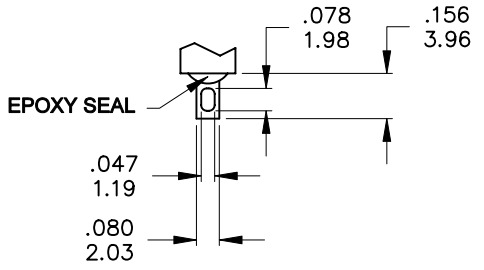


PANEL MOUNTING



SOLDER LUG

Model No.	POS.1	POS.2	POS.3
1MD6	ON	ON	ON
Term. Comm.	2-3,5-6	2-3,5-4	2-1,5-4
SCHEMATIC			

SWITCH FUNCTION

	PART NO.	PART NAME	Q'TY
1	MNU-1M01A	1/4 INCH NUTS	2
2	MNU-1M11	LOCKING RING	1
3	MNU-1M03	LOCKING WASHER	1

FILE NAME: HARDWARE-0006

SPECIFICATIONS

MECHANICAL LIFE: 40,000 make-and-break cycles.
CONTACT RESISTANCE: 10 mΩ max. initial @ 2-4VDC
 100mA for both silver and gold plated contacts.
INSULATION RESISTANCE: 1,000 MΩ min.
DIELECTRIC STRENGTH: 1,000 Vrms min. @ sea level.
OPERATING TEMPERATURE: -30°C to 85°C.

MATERIALS

CASE: Diallyl phthalate (DAP) (UL94v-0).
ACTUATOR: Nylon 6/6
BUSHING: Brass, nickel plated.
HOUSING: Stainless Steel.
TERMINAL/CONTACT: Brass, Silver or gold plated.
RoHS: 2002/95/EC



	CONTACT PLATING	TERMINAL PLATING	RATINGS
Q	Silver	Q = Silver	5 Amps @120 VAC or 28VDC 2 Amps @250 VAC
S		S = Silver, pure-tin	
C	Gold over Silver	C = Gold over silver	
K		K = Gold over silver, pure-tin	
R	Gold	R = Gold	0.4 Volt-Amps(VA) max. @20V max. (AC or DC)
G		G = Gold, pure-tin	

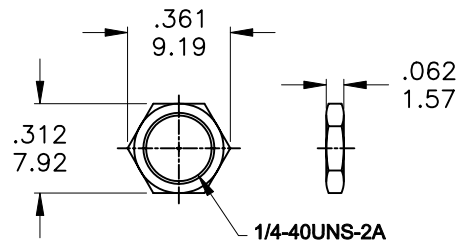
	符號	原尺寸	修改後尺寸	變更日期
1	Ⓐ			
2	Ⓑ			
3	Ⓒ			
4	Ⓓ			
5	Ⓔ			

SCALE (比例): 3 : 2

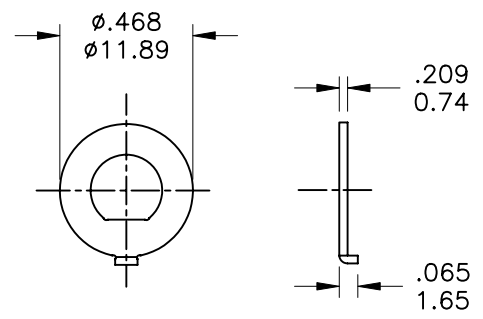
TOLERANCE (公差):
 0.00 mm ± 0.25mm
 0.0 mm ± 0.40mm
ANGULAR: ± 5°

FILE NAME: 1MDP1294

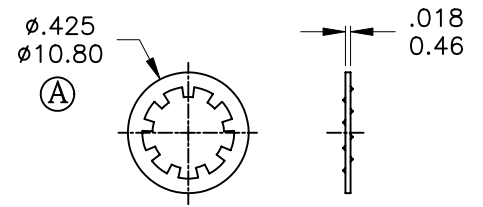
TITLE 圖名	Miniature Toggle Switches			SIZE 圖紙	A4
DWG NO. 圖號	1MD6T1B5M1QES-5			UNIT 單位	inch mm
REV. 版本	A	DATE 日期	MAY - 05 - 2011	SHEET 張數	1 of 1
CHECKED BY 審核	RICHARD		DRAWN BY 製圖	IRENE	



MNU-1M01A



MNU-1M11



MNU-1M03

	PART NO.	PART NAME	QTY
1	MNU-1M01A	1/4 INCH NUTS	2
2	MNU-1M11	LOCKING RING	1
3	MNU-1M03	LOCKING WASHER	1



符號	原尺寸	修改後尺寸	變更日期	SCALE (比例): 3:2	TITLE 圖名	HARDWARE		SIZE 圖紙	A4	
1	10.21(.402)	10.80(.425)	JUN-28-2010	TOLERANCE (公差): 0.00 mm ± 0.25mm 0.0 mm ± 0.40mm ANGULAR : ± 5° FILE NAME : HARDWARE-0006	DWG NO. 圖號	1/4 IN BUSHING PART-B5銅頭專用		UNIT 單位	inch mm	
2					REV. 版本	B	DATE 日期	FEB - 18 - 2008	SHEET 張數	1 of 1
3					CHECKED BY 審核	RICHARD		DRAWN BY 製圖	FION	
4										
5										