

## Datasheet

### Sub-Miniature Toggle Switch

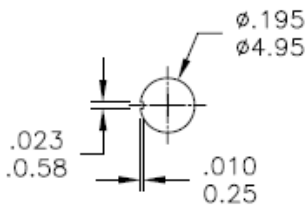
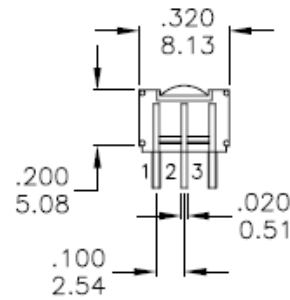
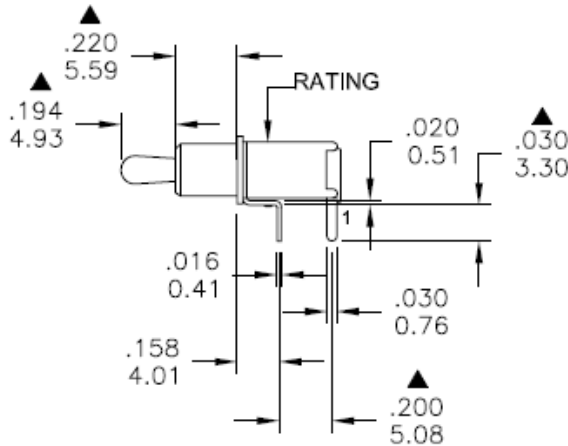
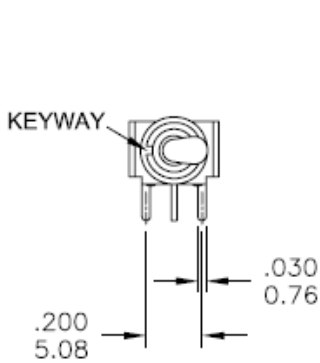
RS Stock number 734-7220



#### Specifications:

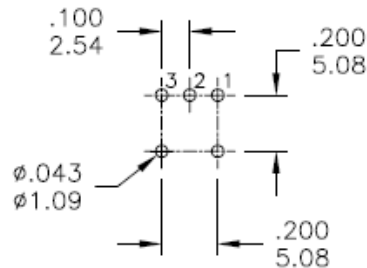
MECHANICAL LIFE:	30,000 make-and-break cycles.
CONTACT RESISTANCE:	20m $\Omega$ max. initial @ 2-4VDC 100mA for both silver and gold plated contacts
INSULATION RESISTANCE:	1000M $\Omega$ min.
DIELECTRIC STRENGTH:	1,000Vrms min. @ sea level.
OPERATING TEMPERATURE:	-30°C to 85°C.
CASE:	Diallyl Phthalate (DAP) (UL94v-0)
ACTUATOR:	Brass, chrome plated
BUSHING:	Brass, nickel plated
HOUSING:	Stainless Steel
CONTACT/TERMINAL:	Brass, with silver or gold plated copper
SWITCH SUPPORT:	Brass, tin plated

**Dimensions – inch  
mm**



Without locking ring.

PANEL MOUNTING



P.C. MOUNTING

Model No.	POS.1	POS.2	POS.3
2MS1	ON	NONE	ON
Term. Comm.	2-3	N/A	OPEN
SCHEMATIC			

SWITCH FUNCTION