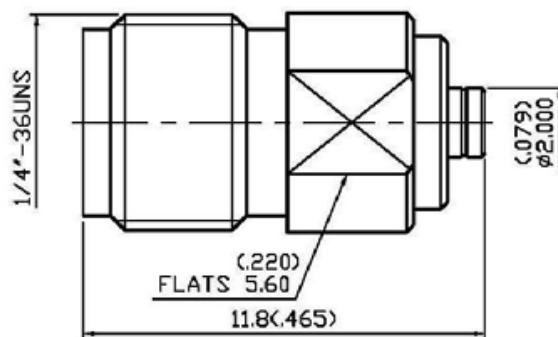


NO	DESCRIPTION	DATE
⚠	BRASS PER JIS-C3604 BERYLLIUM COPPER PER ASTM B196 UNS C17300	09.20.11'
⚠	WORKING VOLTAGE → VOLTAGE RATING DEL PROOF VOLTAGE	10.03.13'



1.0 ELECTRICAL

- 1.1 FREQUENCY RANGE: DC-6 GHz
- 1.2 NOMINAL IMPEDANCE: 50 OHMS
- 1.3 VOLTAGE RATING: 100 VOLTS MAX. ⚠
- 1.4 VSWR: 1.3 MAX.

2.0 MATERIALS

- 2.1 BODIES: BRASS PER JIS-C3604
- 2.2 CENTER CONTACT: BERYLLIUM COPPER PER ASTM B196 UNS C17300 ⚠
- 2.3 INSULATION: TEFLON PER ASTM D1457 AND ASTM D1710

3.0 FINISHES AND OTHERS

- 3.1 SEE BELOW TABLE FOR DETAILS.

4.0 MECHANICAL

- 4.1 INTERFACE IN ACCORDANCE WITH: MIL-STD-348A

5.0 ENVIRONMENTAL

- 5.1 OPERATING TEMPERATURE RANGE: -40° C TO +90° C

NO	DESCRIPTION	MATERIAL	Q'TY	FINISH
3	CENTER CONTACT	BERYLLIUM COPPER	1	GOLD 50μ" MIN.
2	INSULATION	TEFLON	1	NONE
1	BODY	BRASS	1	GOLD 3μ" MIN.



APPROVED by _____ DATE: _____

DESCRIPTION		STRAIGHT SMA JACK-U.FL JACK ADAPTER							
製圖	DRAWN <i>Yoko</i>	TOLERANCE	品名	19-82	T.G.G	日期	DATE	版次	REV.
檢圖	CHECK <i>Arc</i>	.X ±0.2	TITLE	ROHS COMPLIANT (50Ω)		日期	07.15.11'	版次	A-2
認圖	APPROVAL <i>Jenny</i>	.XX ±0.1	單位	mm(in)	DWG.NO.	19-0287			
		.XXX ±0.05	比例	SCALE					
		ANGLE ±5°							