



ENGLISH

Datasheet

## RS Pro 4Ω 2W Miniature Speaker

Stock No: 756-4624



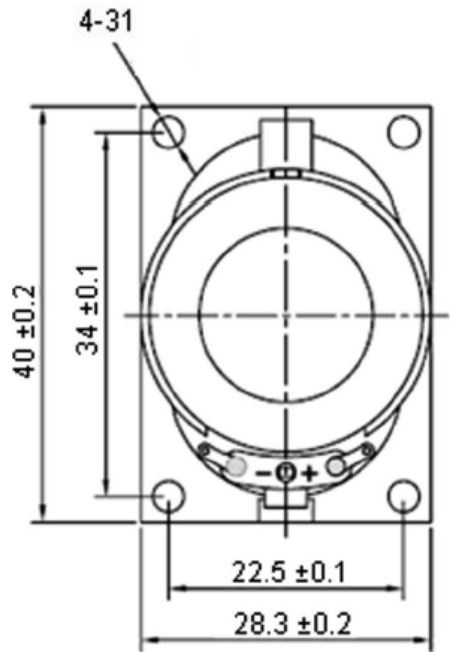
### Features:

- Cone material : Black cloth edge paper cone
- Housing materials : ABS (Black)

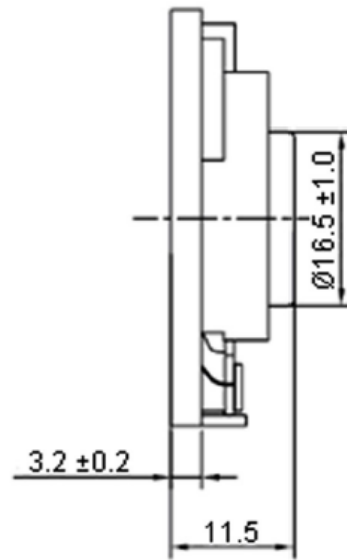
### Specifications:

Transducer Function	: Speaker
Power Rating RMS	: 4W
Impedance	: 4Ω
Resonant Frequency	: 380Hz
Frequency Response	: 0Hz to 20,000kHz
External Width	: 28.3mm
Length	: 40mm
Sound Level SPL	: 84dB

## Dimensions:



Tolerance:  $\pm 0.5$ mm



Dimensions: Millimetres