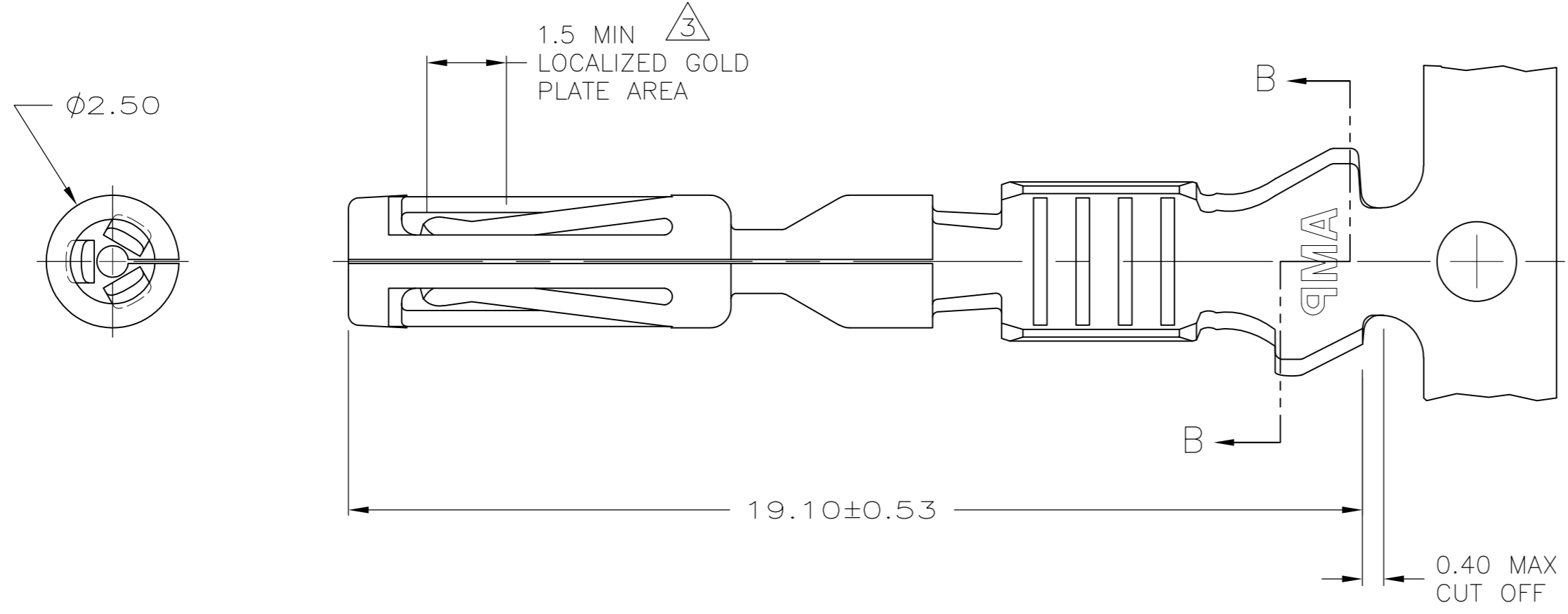


THIS DRAWING IS UNPUBLISHED. RELEASED FOR PUBLICATION
 © COPYRIGHT BY TYCO ELECTRONICS CORPORATION. ALL RIGHTS RESERVED.

LOC		DIST		REVISIONS			
P	LTR	DESCRIPTION	DATE	DWN	APVD		
		D3	REVISED PER ECO-10-025544	15DEC2010	DD	DS	



1. WIRE RANGE: 20-16 AWG, 1.5mm²
 2. INSULATION RANGE: 1.70-2.70.
- Δ_3 .00075 MIN GOLD IN THE LOCALIZED GOLD PLATE AREA, .0025 MIN MATTE TIN IN THE LOCALIZED TIN PLATE AREA OVER .00125 MIN NICKEL OVER ENTIRE CONTACT.

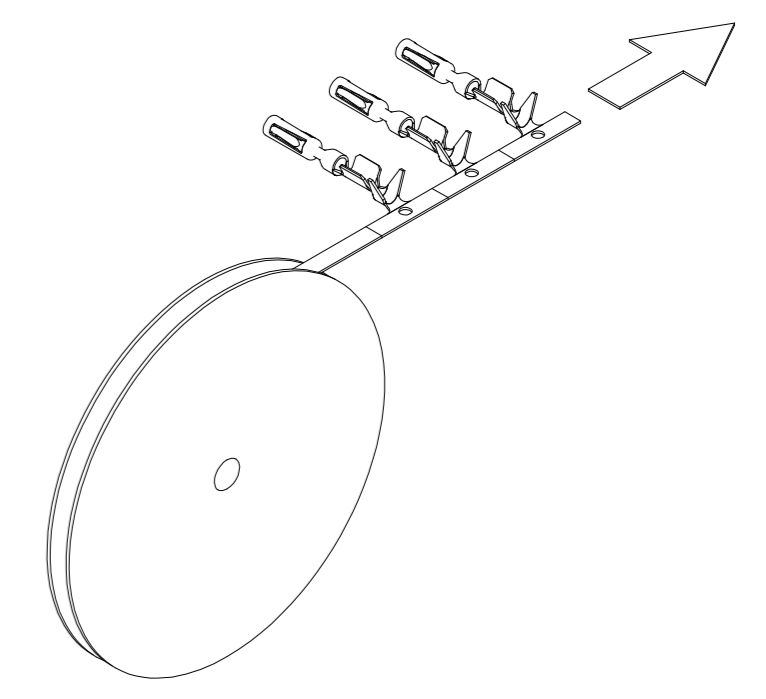
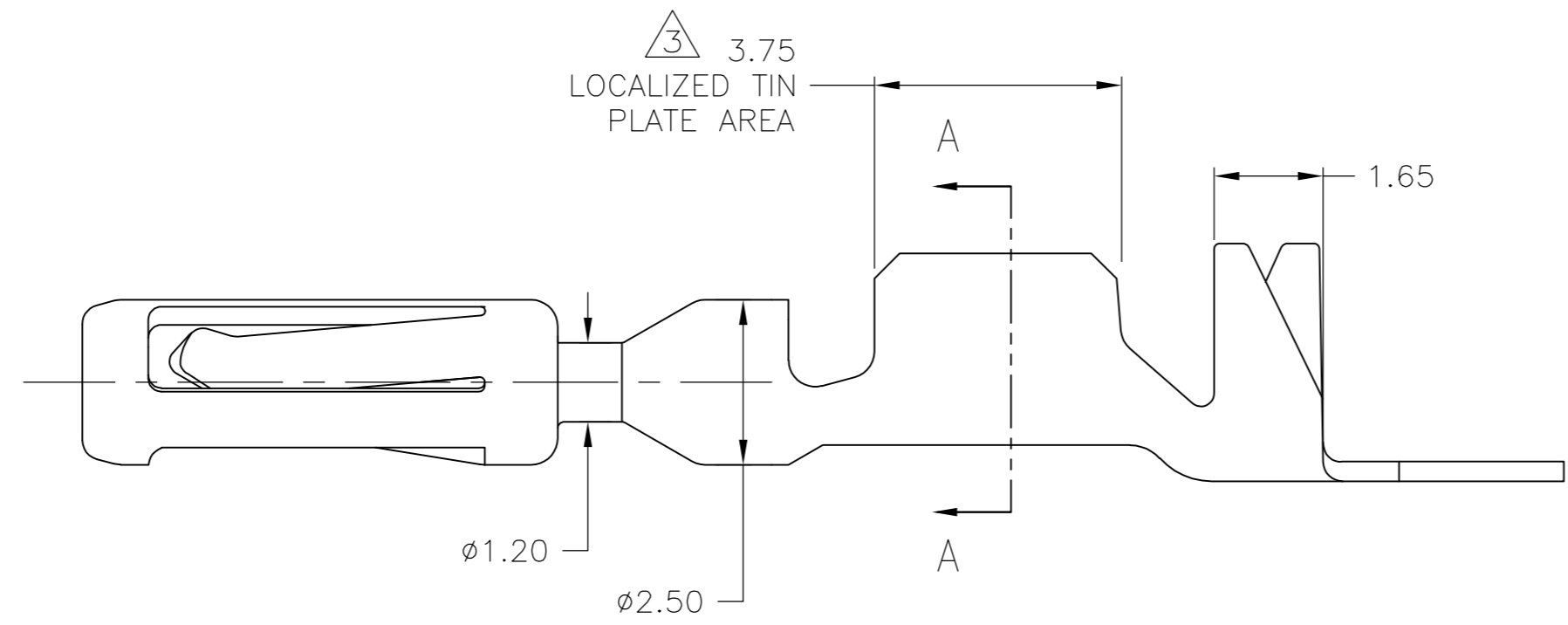
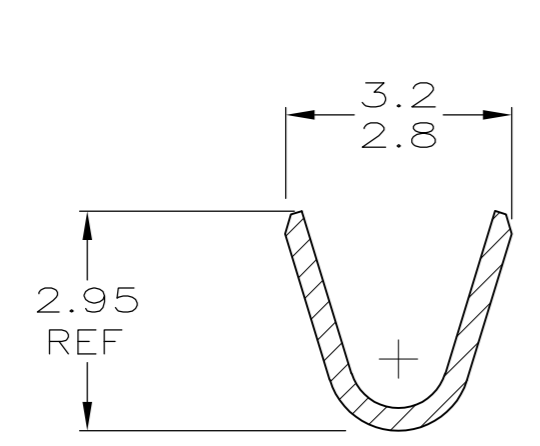
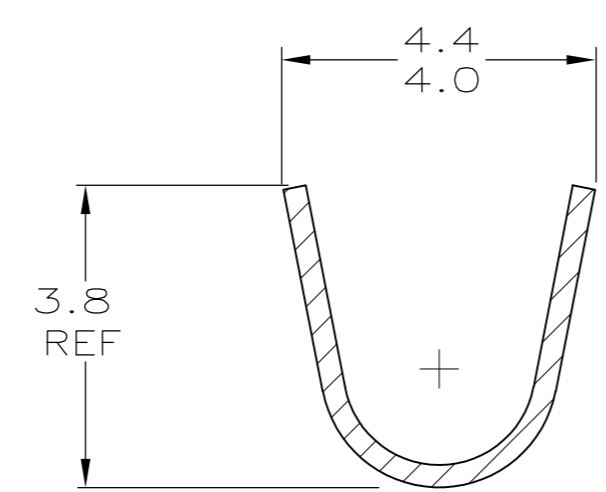


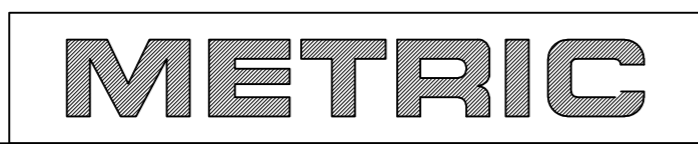
FIGURE 1
FINAL PAYOUT DIRECTION



SECTION A-A



SECTION B-B
ROTATED 90° CW



GOLD Δ_3	0.38 COPPER ALLOY	770520-3
PRE-TIN	0.38 COPPER ALLOY	770520-1
FINISH	MATERIAL	PART NUMBER

THIS DRAWING IS A CONTROLLED DOCUMENT.		DWN	C. MARTIN	4-26-89	Tyco Electronics Corporation Harrisburg, PA 17105-3608
DIMENSIONS: MM		CHK	R. SWING	4-26-89	
TOLERANCES UNLESS OTHERWISE SPECIFIED:		APVD	R. LUNDERGAN	4-27-89	
0 PLC \pm - 1 PLC \pm - 2 PLC ± 0.15 3 PLC \pm - 4 PLC \pm - ANGLES \pm -		PRODUCT SPEC	108-1329	NAME	
MATERIAL	FINISH	APPLICATION SPEC	114-16016	SIZE	A2
		WEIGHT	-	CAGE CODE	00779
		CUSTOMER DRAWING		DRAWING NO	C=770520
		SCALE	10:1	SHEET	1 OF 1
		REV	D3	RESTRICTED TO	-

"A/C BUSINESS GRP" 3323 177-34 "CRAIG MARTIN"

770520

A