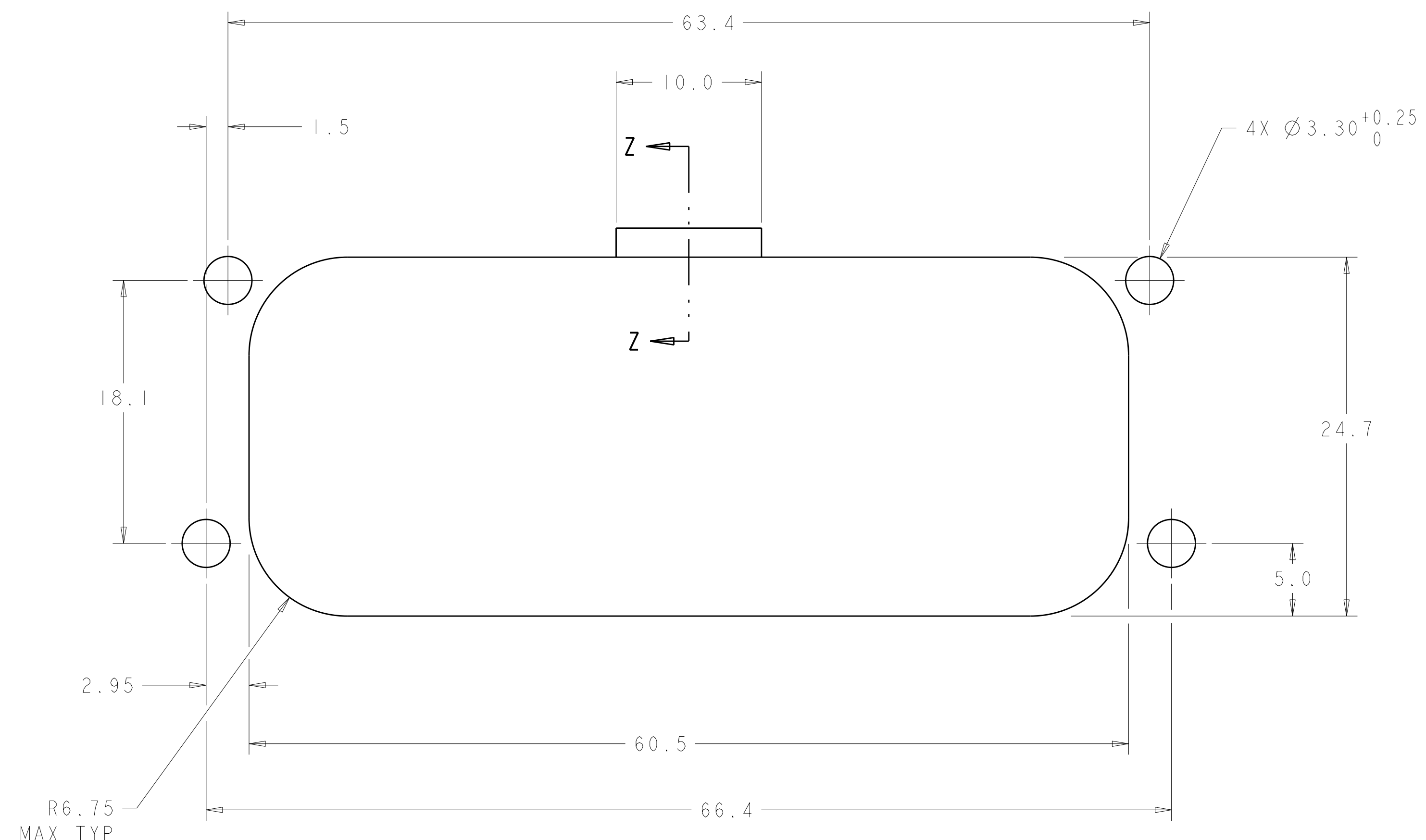
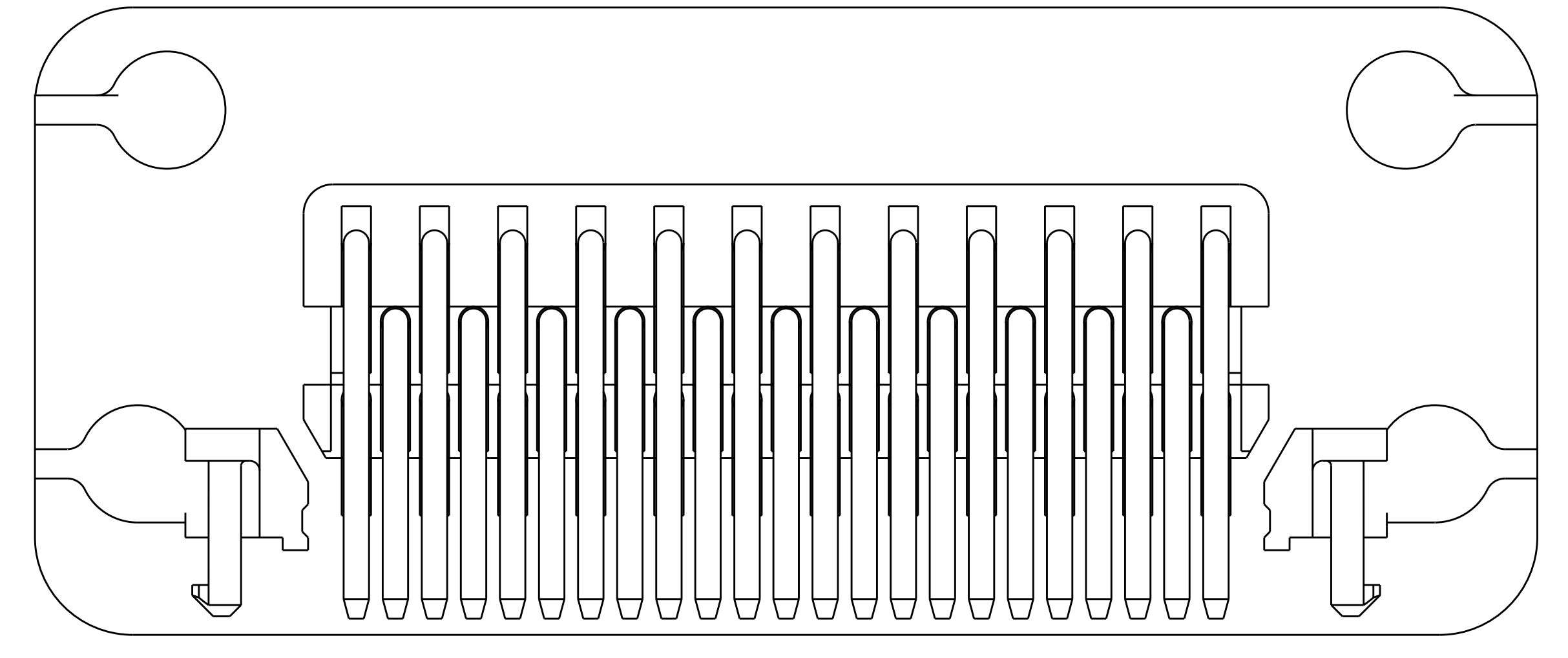
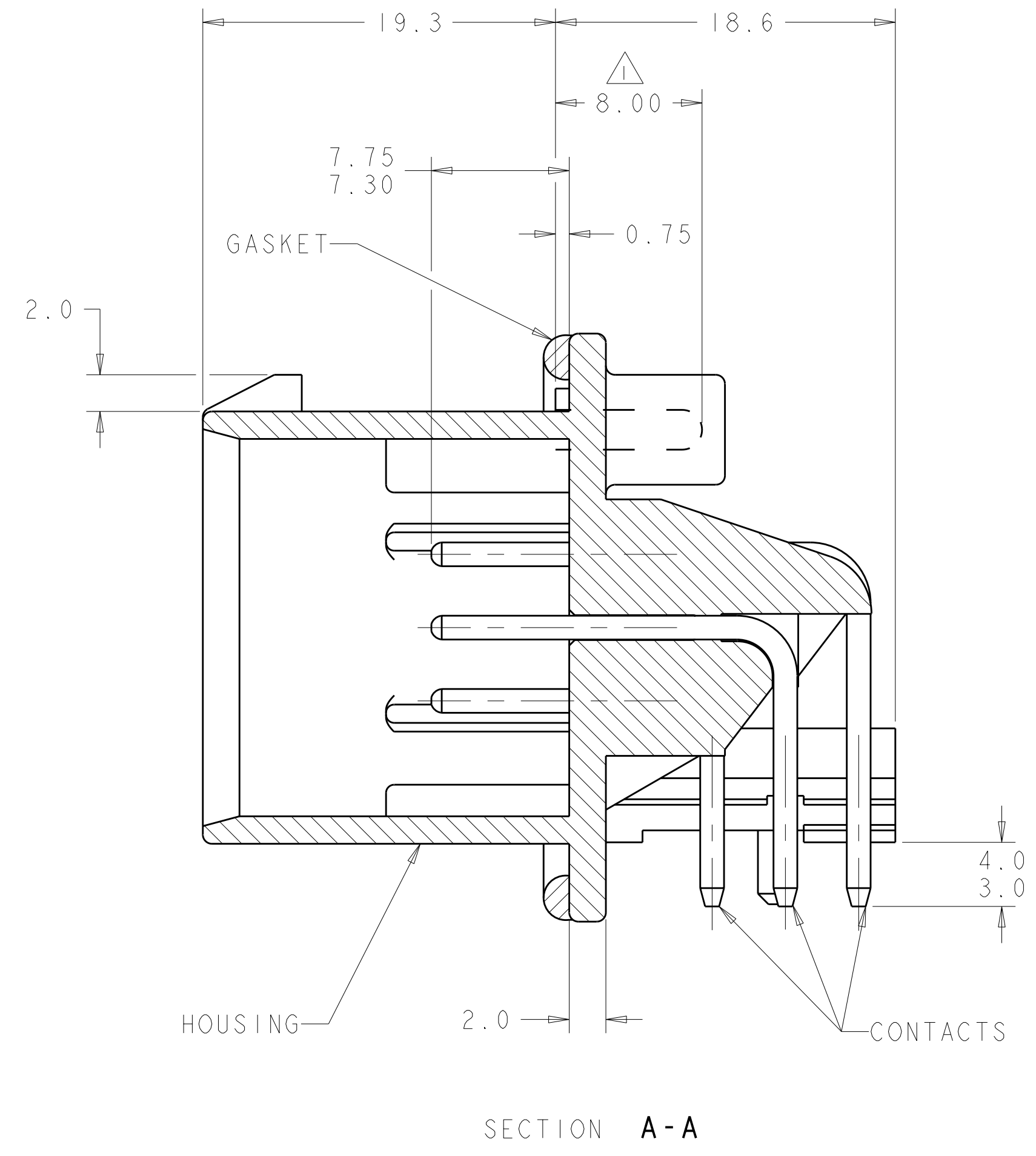
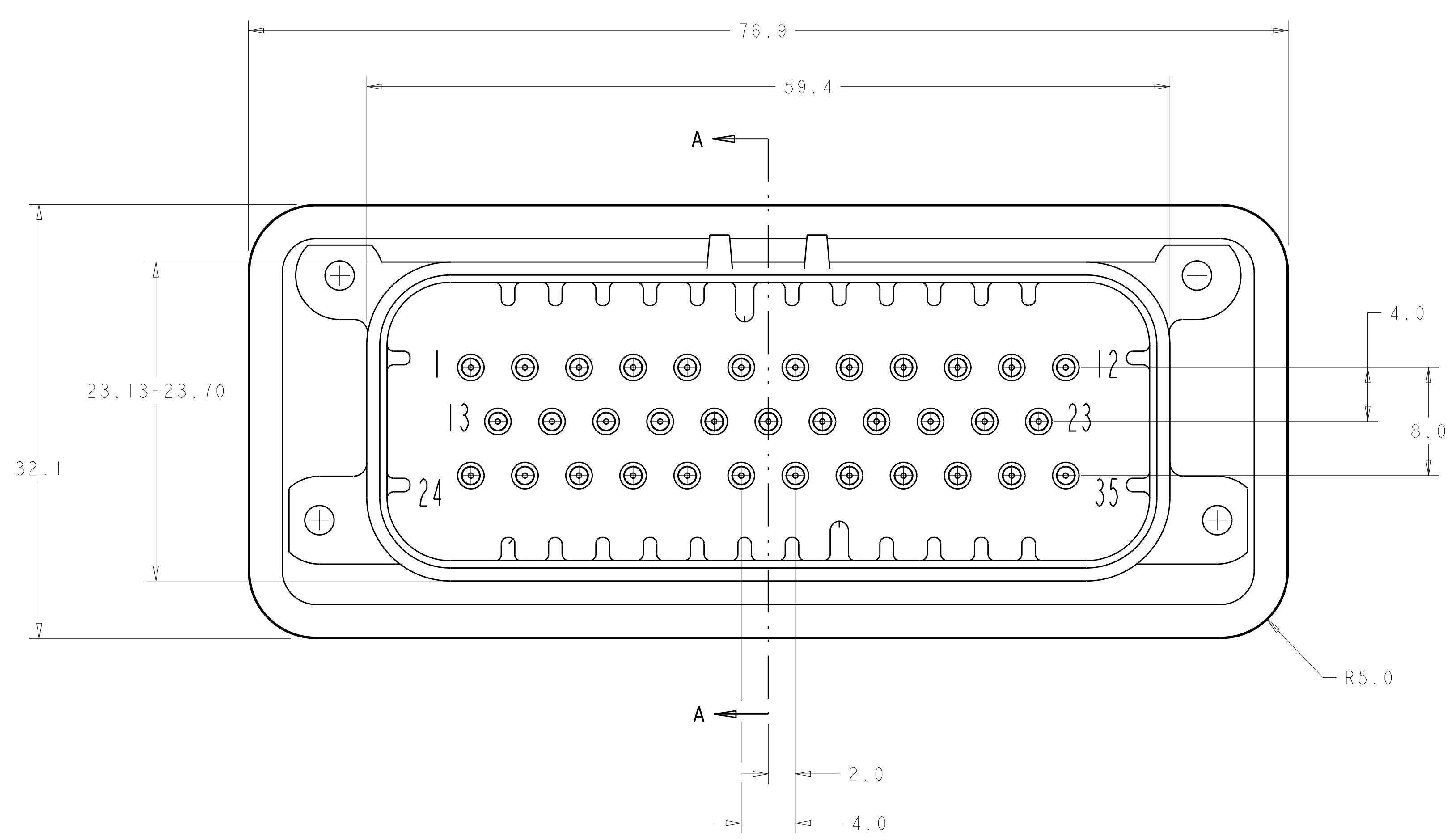


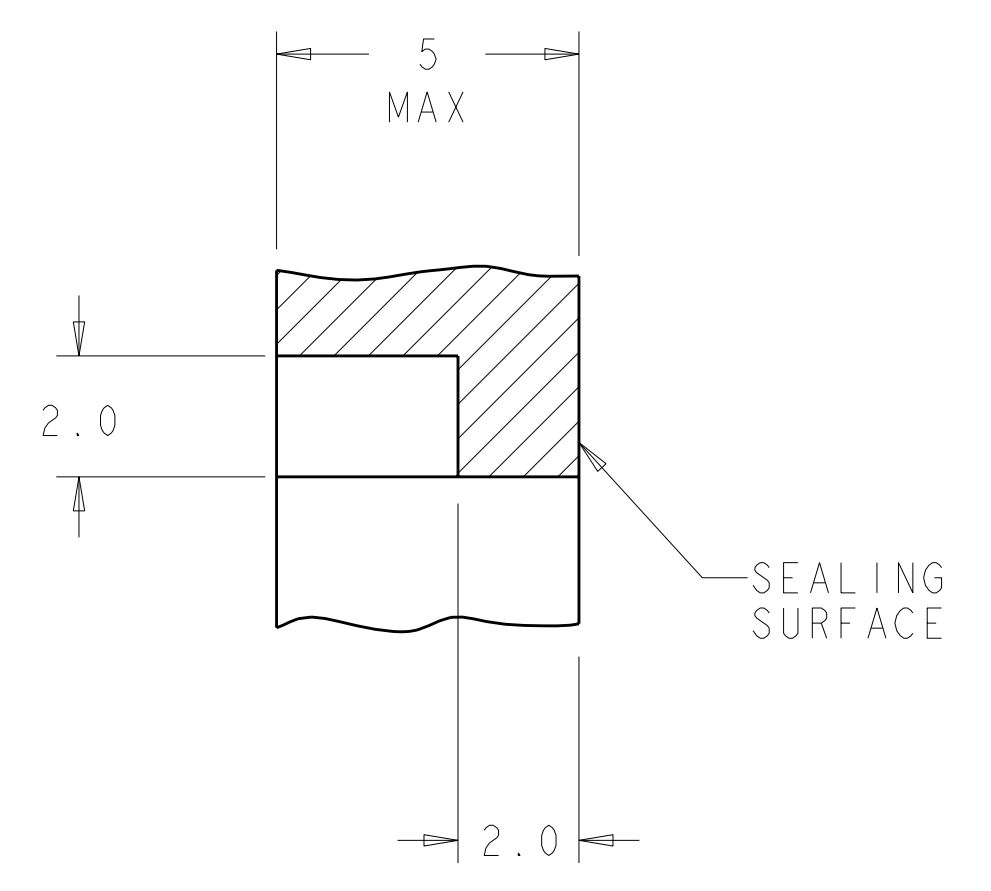
REV	DATE	DESCRIPTION	BY	CHK	APPV
00					
01					
02					
03		REVISED PER ECO-11-005030			

ACCEPTS #4 SELF TAPPING SCREW (ELCO HI-LO THREAD CUTTING STYLE OR EQUIVALENT) TO BE DRIVEN AT 0.6±0.2 N-M.

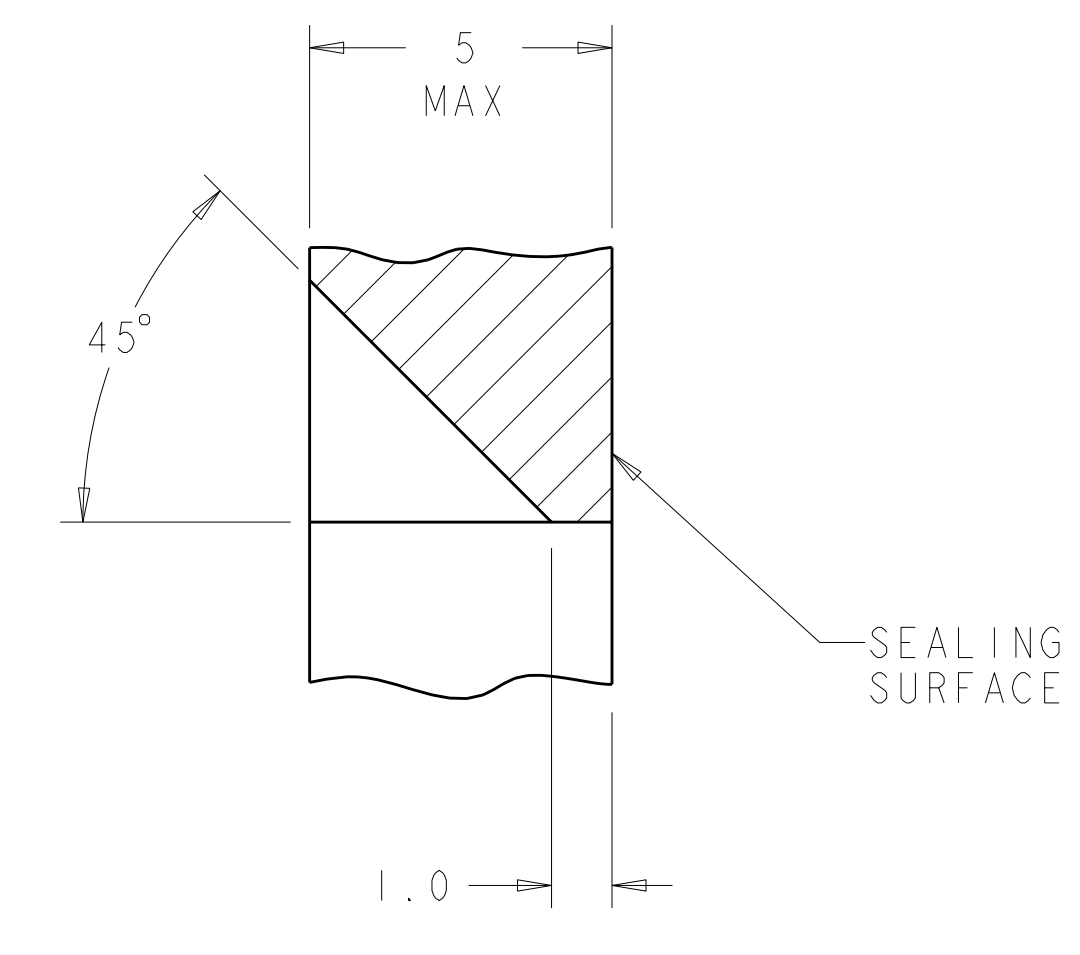
HOUSING COLORS ARE MECHANICALLY KEYED TO MATE ONLY WITH IDENTICALLY COLORED PLUG ASSEMBLIES.



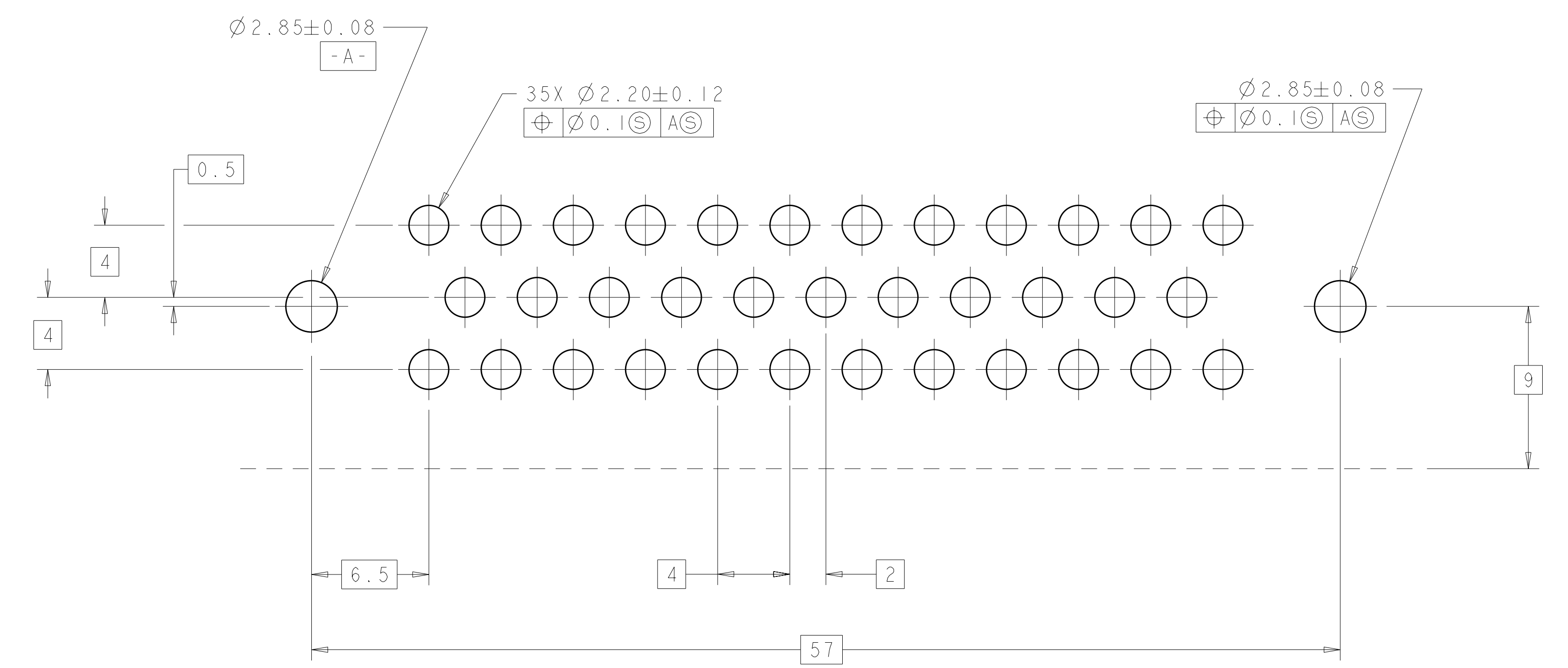
RECOMMENDED MOUNTING HOLE LAYOUT FOR 5.0 MAX THICK PANEL



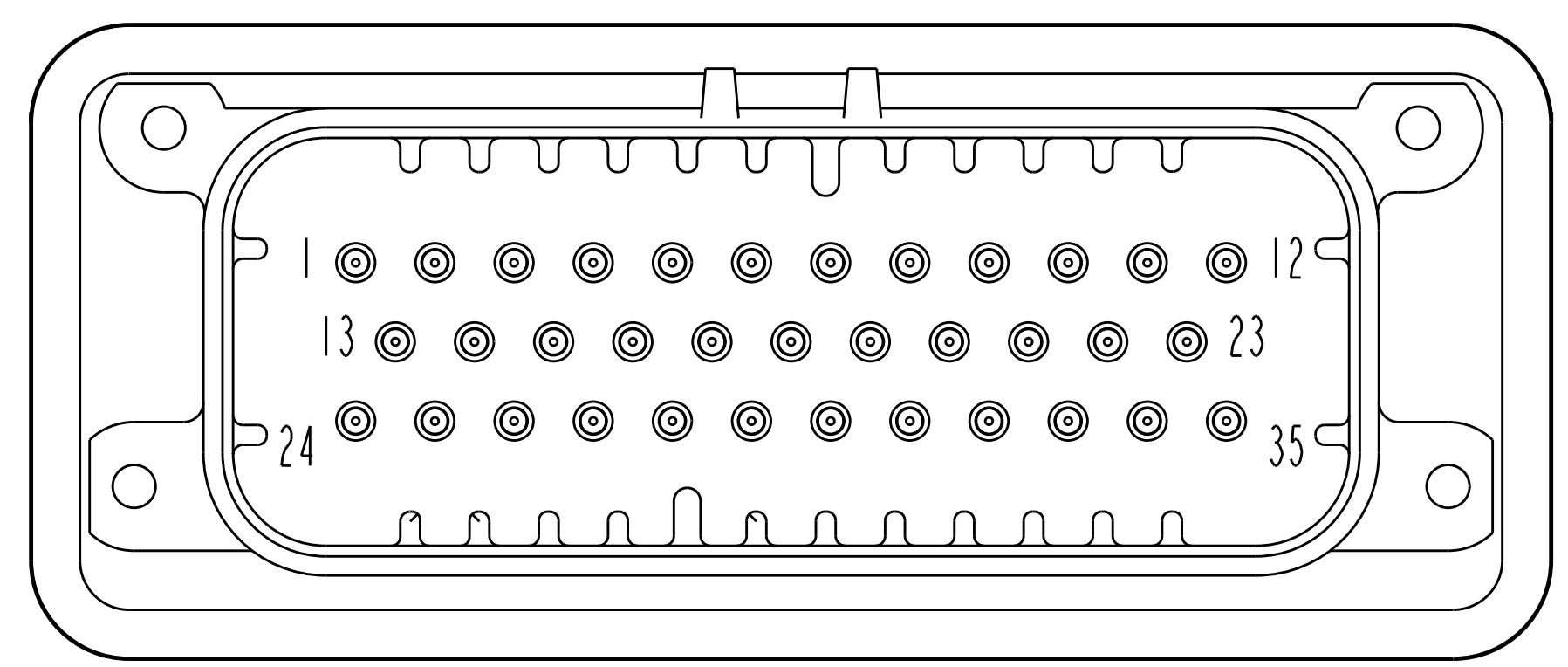
SECTION Z-Z
OPTIONAL CONSTRUCTION IF THICKNESS IS GREATER THAN 2.0
SCALE 8:1



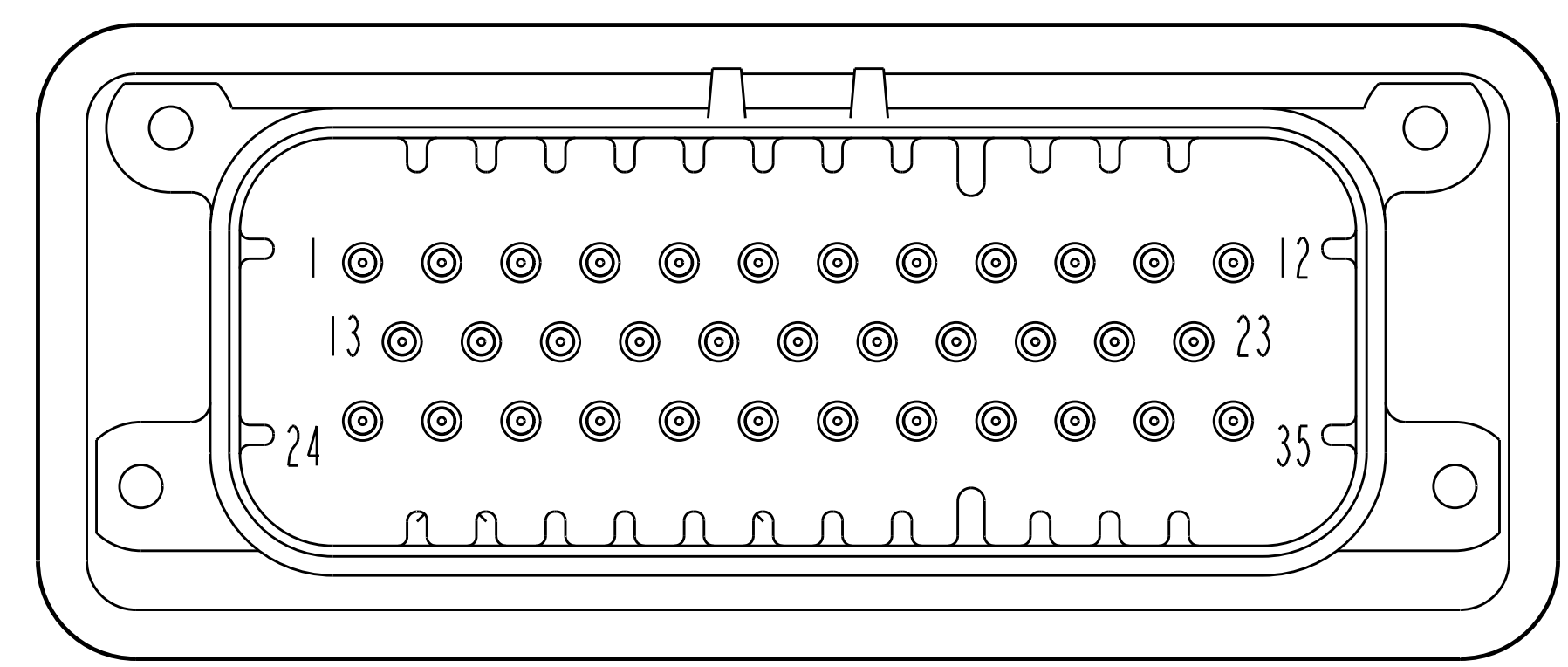
SECTION Z-Z
OPTIONAL CONSTRUCTION IF THICKNESS IS GREATER THAN 2.0
SCALE 8:1



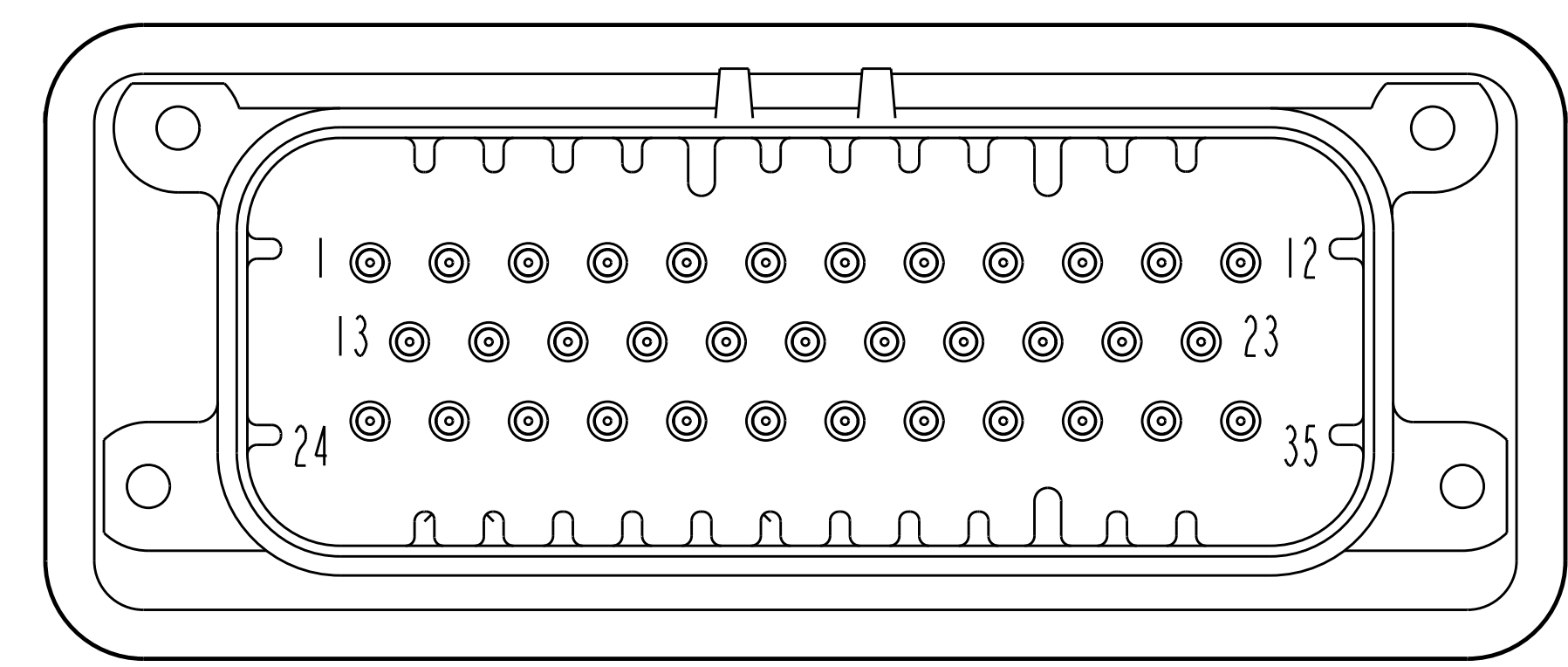
RECOMMENDED P.C. BOARD LAYOUT FOR 1.57 THICK P.C. BOARD



776163-2 & 1-776163-2
KEY LOCATION AS SHOWN
SCALE 3:1



776163-4 & 1-776163-4
KEY LOCATION AS SHOWN
SCALE 3:1



776163-5 & 1-776163-5
KEY LOCATION AS SHOWN
SCALE 3:1

776163-1 & 1-776163-1
KEY LOCATION AS SHOWN

MATERIAL	MATERIAL	FINISH	MATERIAL	COLOR	PART NUMBER
SILICONE	BRASS	DURAGOLD	PBT	ORANGE	1-776163-6
SILICONE	BRASS	DURAGOLD	PBT	BLUE	1-776163-5
SILICONE	BRASS	DURAGOLD	PBT	GRAY	1-776163-4
SILICONE	BRASS	DURAGOLD	PBT	NATURAL (WHITE)	1-776163-2
SILICONE	BRASS	DURAGOLD	PBT	BLACK	1-776163-1
SILICONE	BRASS	TIN	PBT	BLUE	776163-5
SILICONE	BRASS	TIN	PBT	GRAY	776163-4
SILICONE	BRASS	TIN	PBT	NATURAL (WHITE)	776163-2
SILICONE	BRASS	TIN	PBT	BLACK	776163-1

THIS DRAWING IS A CONTROLLED DOCUMENT. DATE: 31DEC2002. BY: VESTAL. CHK: CROME. DATE: 31DEC2002. NAME: VESTAL. PRODUCT SPEC: 31DEC2002. APPLICATION SPEC: 31DEC2002. MATERIAL: SEE TABLE. FINISH: .

CUSTOMER DRAWING. SCALE: 4:1. SHEET: 1 OF 1. REV: J3.

STE TE Connectivity
HEADER ASSEMBLY, 35 POSITION, SNAP-IN, AMPSEAL
SIZE: CASE CODE (DRAWING NO): A000779 ©=776163