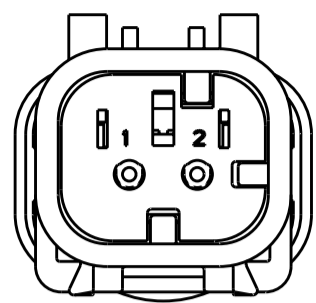
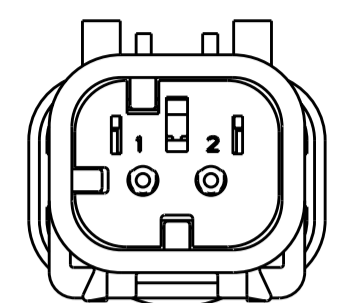


THIS DRAWING IS UNPUBLISHED. RELEASED FOR PUBLICATION
 © COPYRIGHT 20 BY - ALL RIGHTS RESERVED.

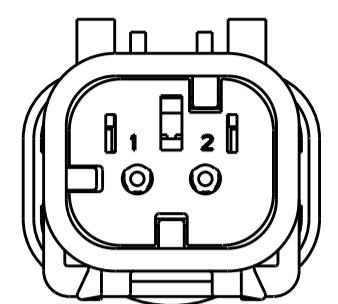
LOC	DIST	REVISIONS					
GE	00	P	LTR	DESCRIPTION	DATE	DWN	APVD
			C5	REVISED PER ECO-11-005030	12MAR2011	RK	HMR



776534-2
SCALE 2:1
KEY B



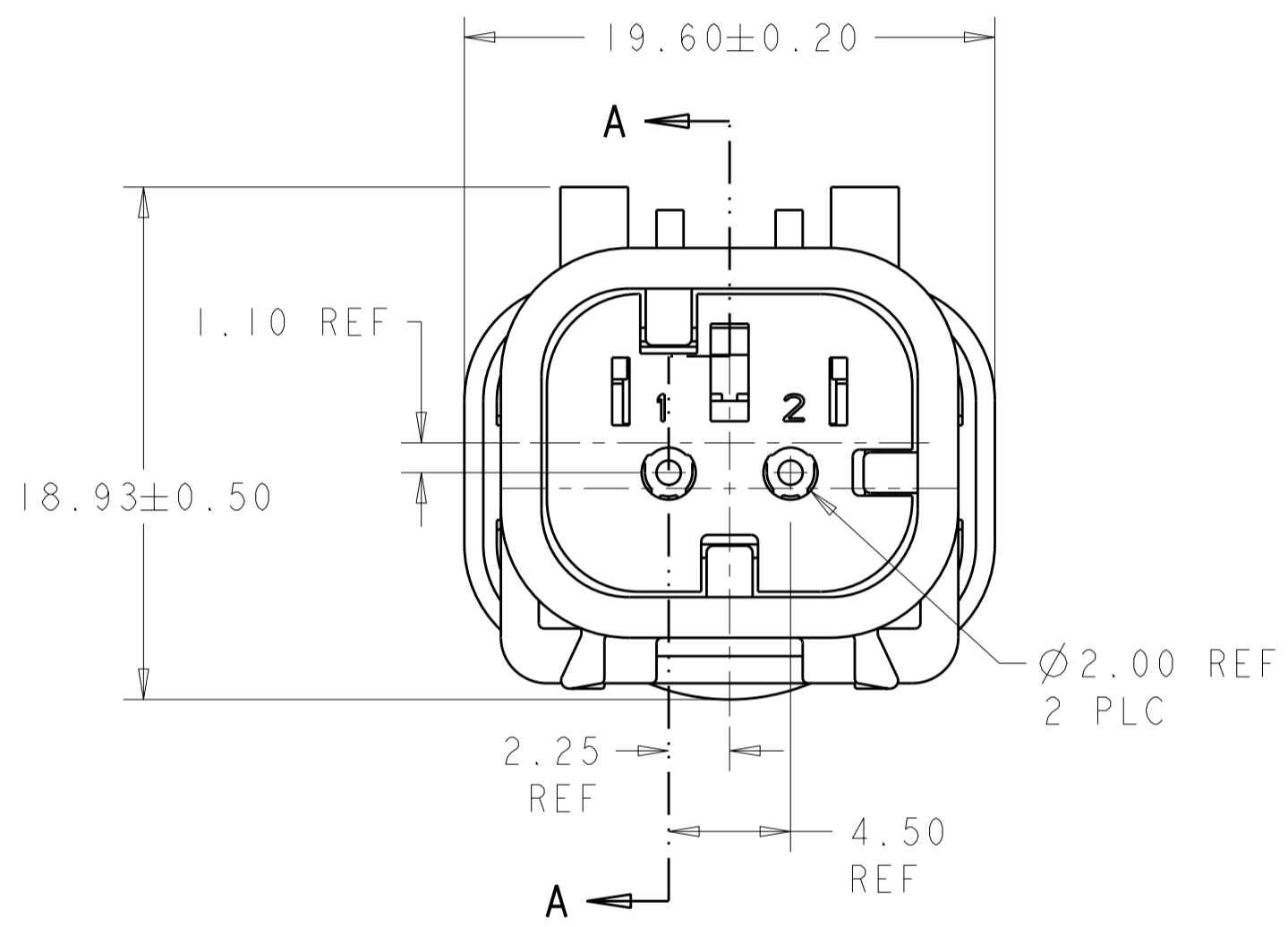
776534-3
SCALE 2:1
KEY C



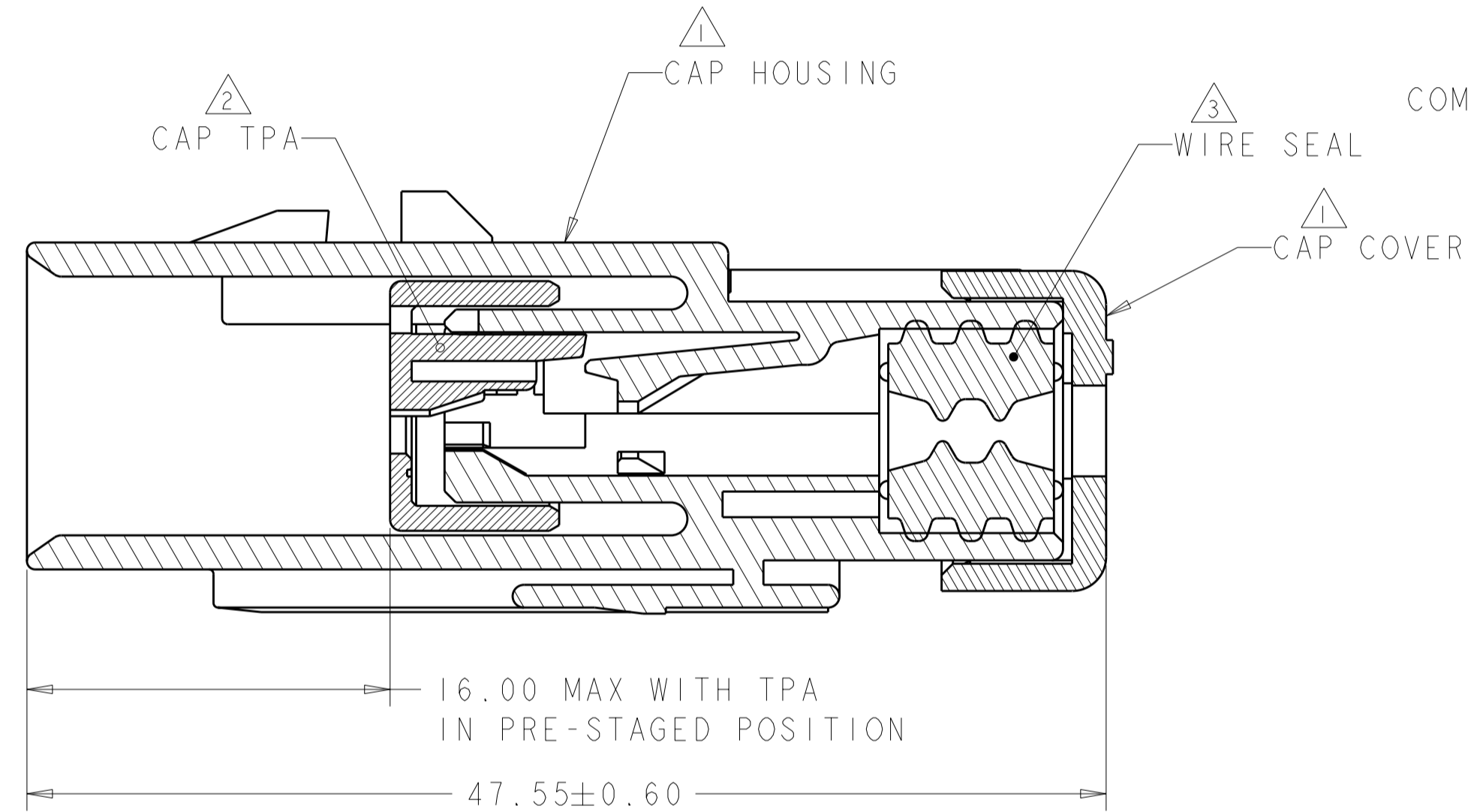
776534-4
SCALE 2:1
KEY D

- 1 MATERIAL: 15% GLASS FILLED THERMOPLASTIC
COLOR: BLACK
- 2 MATERIAL: 15% GLASS FILLED THERMOPLASTIC
COLOR: (SEE TABLE)
- 3 MATERIAL: SILICONE
COLOR: LIGHT BLUE

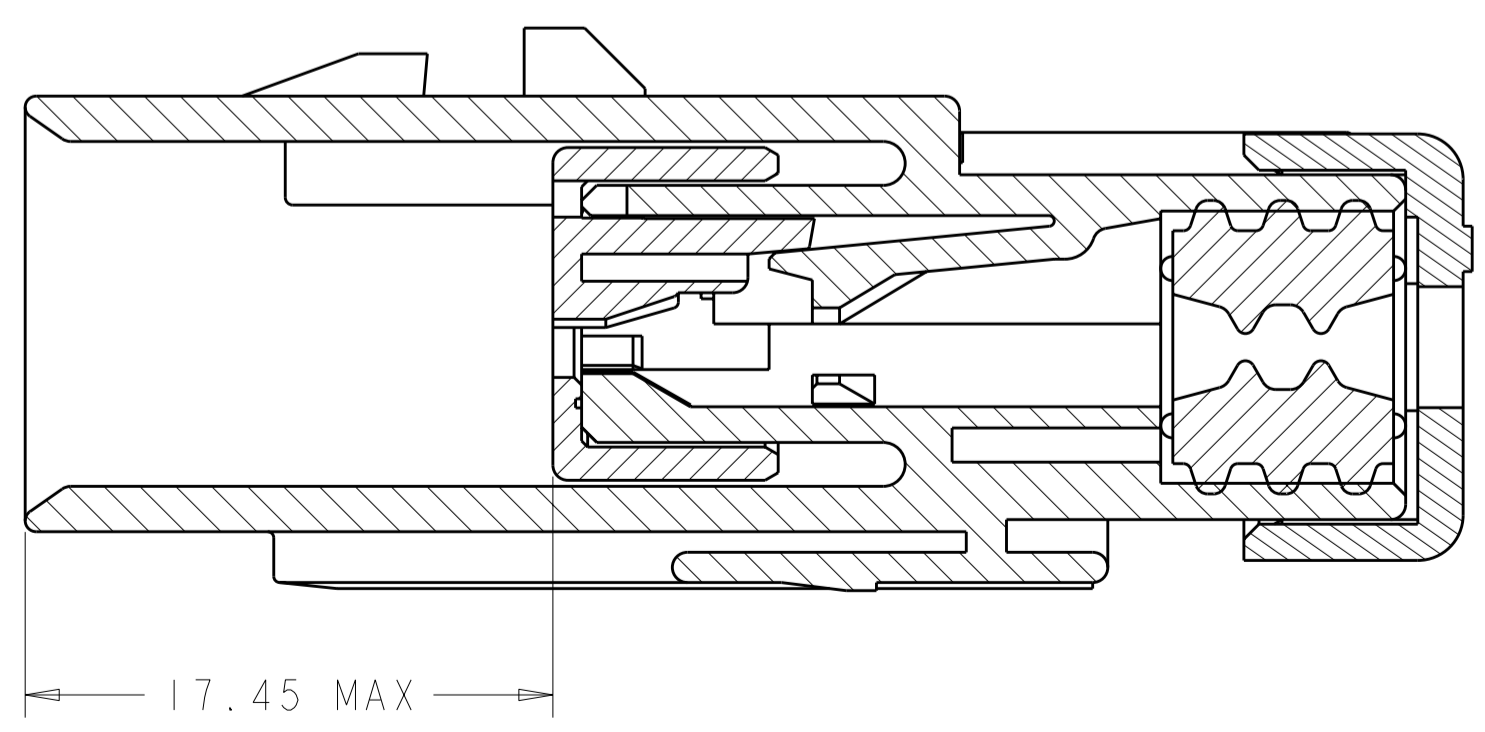
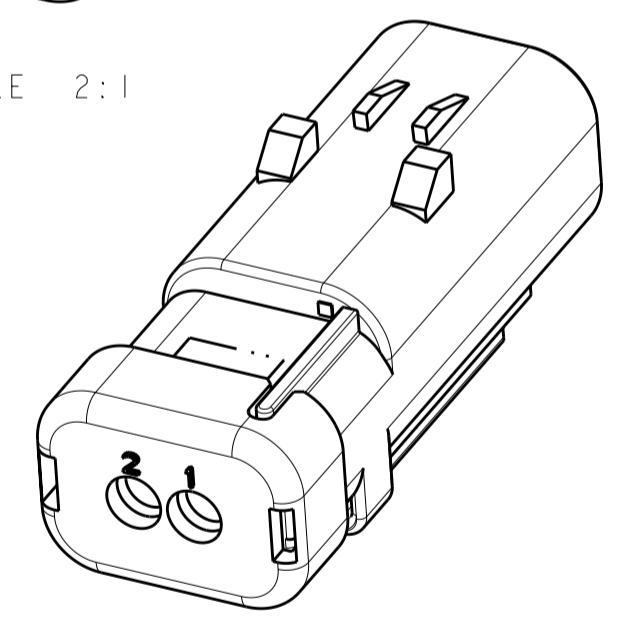
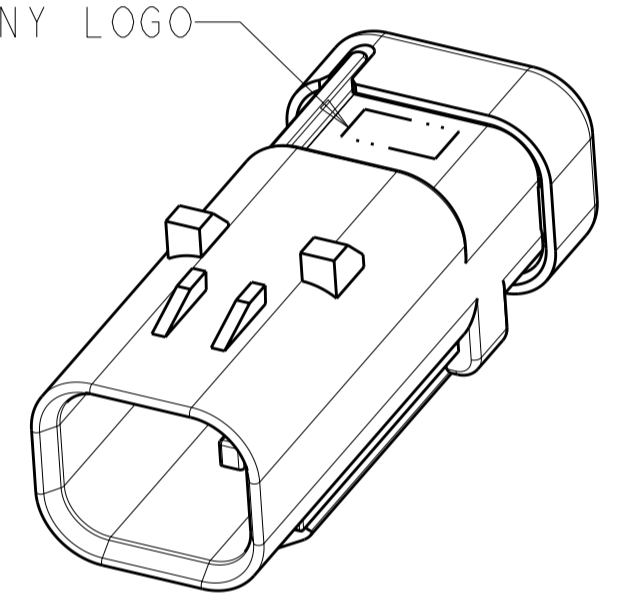
4. RECOMMENDED WIRE DIAMETER RANGE IS 1.30 TO 2.54mm



776534-1 SHOWN
KEY A



SECTION A-A



SECTION A-A
WITH TPA IN CLOSED POSITION

D	GREEN	776534-4
C	YELLOW	776534-3
B	GRAY	776534-2
A	RED	776534-1
KEY	TPA COLOR	PART NUMBER

THIS DRAWING IS A CONTROLLED DOCUMENT.

DWN	Y. PETERSON	22FEB00
CHK	R. GREINER	ITDEC01
APVD	M. TRULLI	ITDEC01
PRODUCT SPEC	108-2184	
APPLICATION SPEC	114-13065	
WEIGHT	9 ± 1g	
CUSTOMER DRAWING		

STE TE Connectivity

NAME: CAP ASSEMBLY, 2 POSITION, SINGLE ROW, REDUCED DIA WIRE SEAL, AMPSEAL 16

SIZE: A2 CAGE CODE: 00779 DRAWING NO: 776534 RESTRICTED TO: -

SCALE: 4:1 SHEET: 1 OF 1 REV: C5