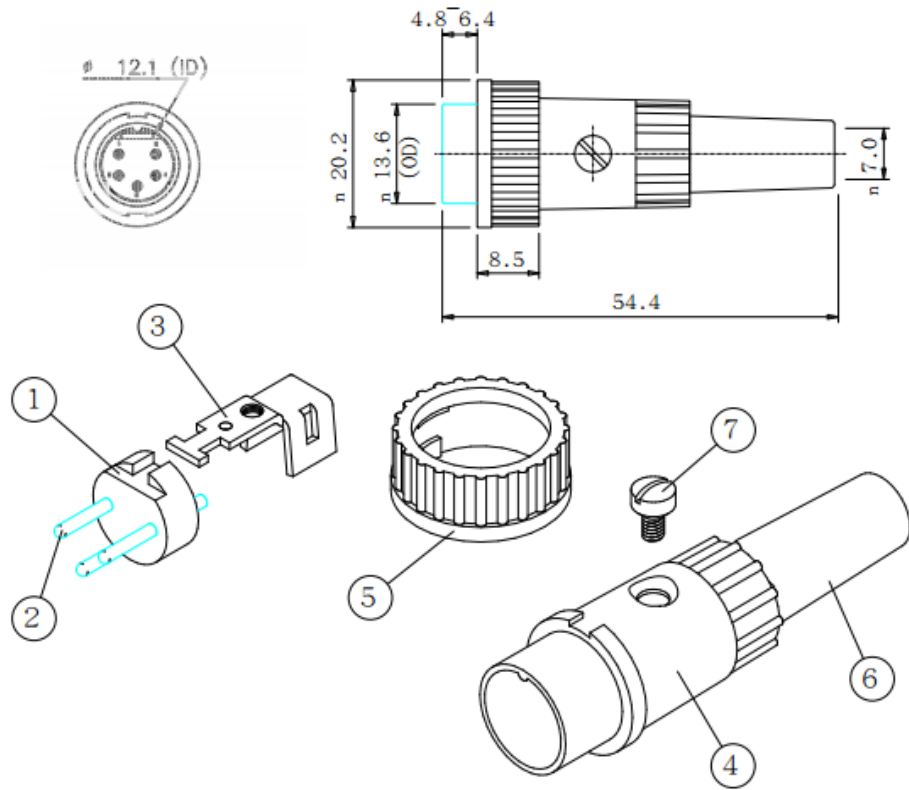


Datasheet

5 Pole Male Straight Industrial & Automation Circular Connector,

RS Stock number [786-3445](#)

Dimensions: (mm)



Specifications

- Dielectric Strength: 1000V AC/1 Minute
- Contact Resistance: 20MΩMax
- Insulation Resistance: 100MΩMin at 500 DC
- Rating: 100V 2A

P/N	Part Name	Q'ty	Material	Plating	Remarks
1	Plastic core	1	Nylon		3-5U"
2	Contact terminal	1	BSR-H	Silver	3-5U"
3	Clip plate	1	SPC SB	Nickel	3-5U"
4	Main Body	1	Diecast	Nickel	3-5U"
5	Lock Cover	1	Diecast	Nickel	3-5U"
6	Plastic Trail	1	PVC		3-5U"
7	Screw	1	1AAR1050	Nickel	3-5U"