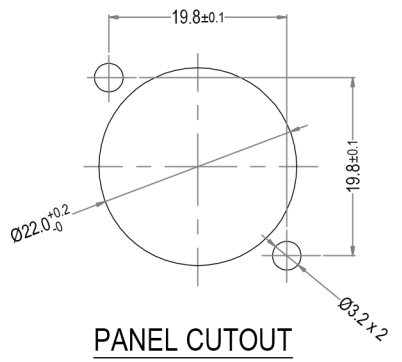
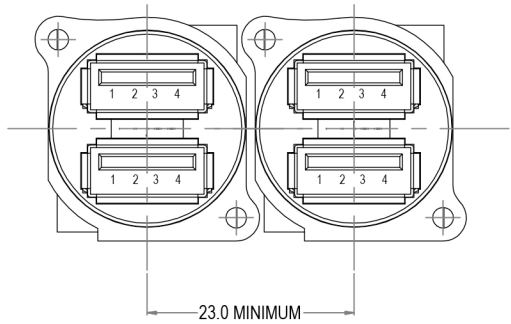
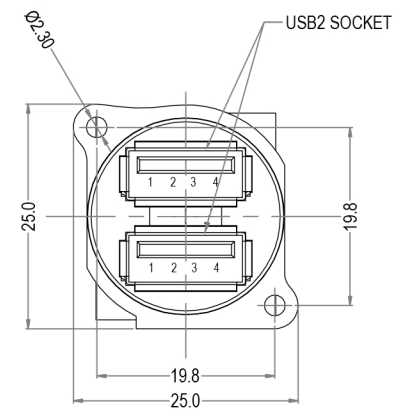
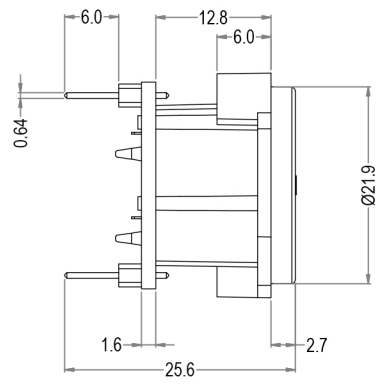
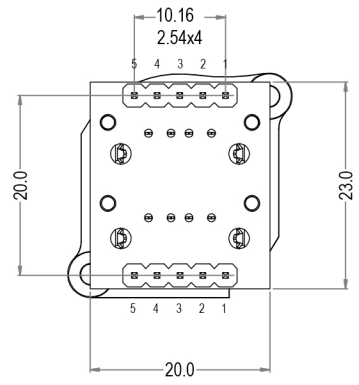
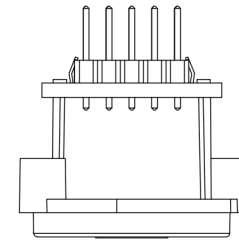
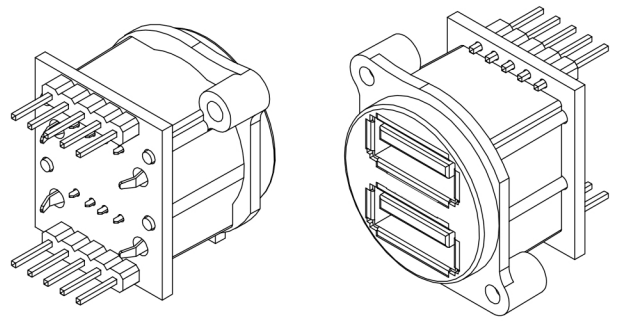


ISS.	AMEND	DATE
1	ISSUED	22/01/2014



PANEL CUTOUT

PIN No.	CONNECTION
1	Vcc
2	Data -
3	Data +
4	Ground
5	Housing

RoHS
COMPLIANT

TOLERANCE
 NO DEC. PLACE ±
 1 DEC. PLACE ±
 2 DEC. PLACE ±
 HOLE Ø ±
 ANGLES ±
 UNLESS OTHERWISE STATED

DIMENSIONS IN MILLIMETERS UNLESS OTHERWISE STATED. WORK TO DIMENSIONS. REMOVE ALL BURRS. IF IN DOUBT ASK.		3rd ANGLE PROJECTION:	DO NOT SCALE
MATERIAL: SEE PART DRAWINGS		TITLE: XLR-USB2x2	
FINISH: SEE PART DRAWINGS		DRWG. No. CP 30090	
DRAWN: N.J.R	APPROVED: DP.J	FORM: A4DRWGH	