

FEATURES

- Rugged construction
- Universal XLR panel cut out
- No special tooling required
- Front or back panel mounting

RS PRO USB Connector, Panel Mount, Socket 2.0 A to B, Straight- Single Port

RS Stock No.: 862-1579



RS Professionally Approved Products bring to you professional quality parts across all product categories. Our product range has been tested by engineers and provides a comparable quality to the leading brands without paying a premium price.

Product Description

A range of RS Pro USB gender changer sockets in rugged XLR housings. The USB connectors convert from USB 2 A to B or USB 2 B to A. Designed to accommodate USB2 data feeds into professional broadcasting, audio and lighting applications. Housings are constructed from nickel plated zinc and are available in self-coloured or black options. Suitable for front or rear panel mounting.

Available in this Range - 2.0 USB Connector, Receptacle

- [862-1579](#) USB A to B Socket – self-colour
- [862-1573](#) USB B to A Socket – self-colour
- [124-6392](#) USB A to B Socket - Black metal
- [124-6393](#) USB B to A Socket – Black metal

General Specifications

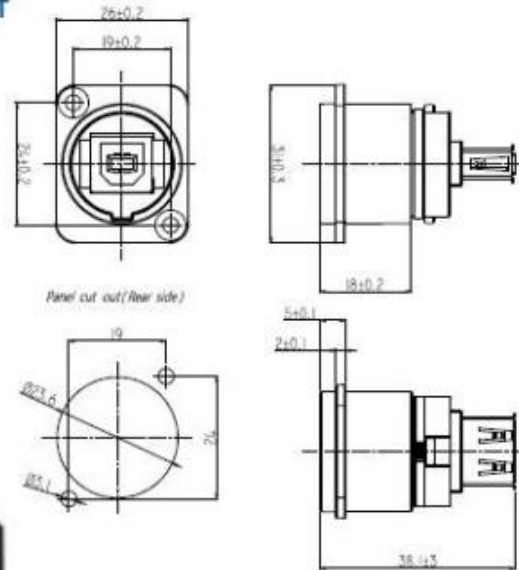
Gender	Female
Mounting Type	Panel Mount
USB Type	A to B
USB Version	2.0
Body Orientation	Straight
Number of Ports	1
Colour	Self-colour
Housing Material	Rugged zinc/nickel metal XLR housings fitting
Applications	Computers, Tablets, Games consoles, Smart TVs, DVD and Blu-Ray players

Approvals

Compliance/Certifications	RoHS
----------------------------------	------

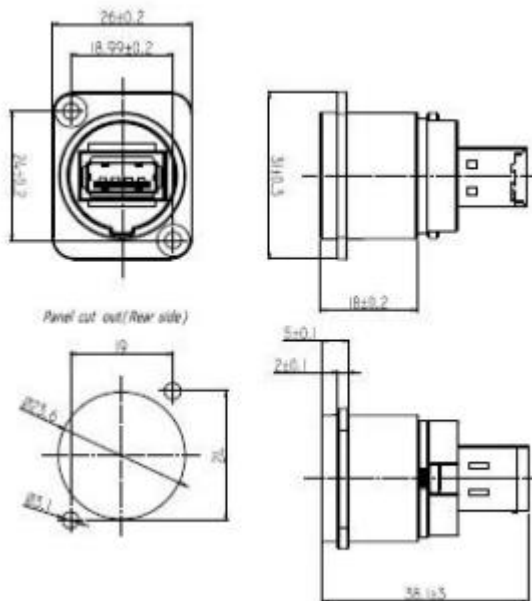
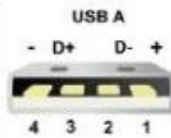


Part No: 8621573
B→A GENDER CHANGE FEEDTHROUGH SOCKET



USB SPECIFICATION

PIN No.	USB A	USB B
1	Vcc	Vcc
2	D-	D-
3	D+	D+
4	GROUND	GROUND



Part No: 8621579
A→B GENDER CHANGE FEEDTHROUGH SOCKET

