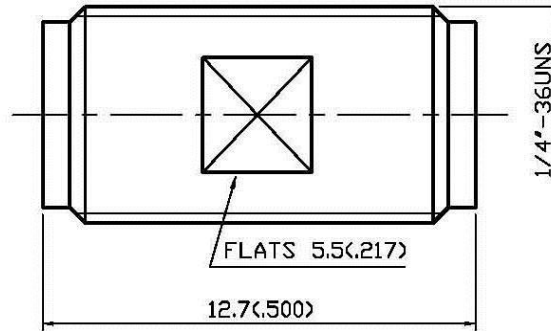


NO	DESCRIPTION	DATE
①	BACKGROUND FORMAT UPDATED	06.26.02'
②	MODIFICATION CENTER CONTACT	02.27.03'
③	BACKGROUND FORMAT UPDATED	09.08.08'
④	WORKING VOLTAGE → VOLTAGE RATING DEL. PROOF VOLTAGE	04.08.14'



1.0 ELECTRICAL

1.1 FREQUENCY RANGE: DC-18 GHz

1.2 NOMINAL IMPEDANCE: 50 OHMS

1.3 VOLTAGE RATING: 500 VOLTS MAX. ⚠

1.4 VSWR: 1.23 MAX.

2.0 MATERIALS

2.1 BODIES: BRASS PER JIS-C3604

2.2 CENTER CONTACT: BERYLLIUM COPPER PER ASTM B196 UNS C17300

2.3 INSULATION: TEFLON PER ASTM D1457 AND ASTM D1710

3.0 FINISHES AND OTHERS

3.1 SEE BELOW TABLE FOR DETAILS.

4.0 MECHANICAL

4.1 INTERFACE IN ACCORDANCE WITH: MIL-STD-348A

5.0 ENVIRONMENTAL

5.1 OPERATING TEMPERATURE RANGE: -85° C TO +185° C

NO	DESCRIPTION	MATERIAL	Q'TY	FINISH
3	INSULATION	TEFLON	1	NONE
2	CENTER CONTACT	BERYLLIUM COPPER	1	GOLD 50μ" MIN.
1	BODY	BRASS	1	GOLD 3μ" MIN.



APPROVED by _____ DATE: _____

DESCRIPTION		STRAIGHT SMA JACK-JACK ADAPTER		DATE		REV.	
製圖	DRAWN	TOLERANCE	品名	19-23-1	T.G.G	日期	11.14.95'
	Yoko	.X ±0.2	TITLE	\ROHS COMPLIANT <50Ω>		版次	A-4
檢圖	CHECK	.XX ±0.1	單位	DWG.NO. 19-0143			
	Arc	.XXX ±0.05	mm(in)				
認定	APPROVAL	ANGLE ±5°	比例	SCALE			
	Angela		6:1				