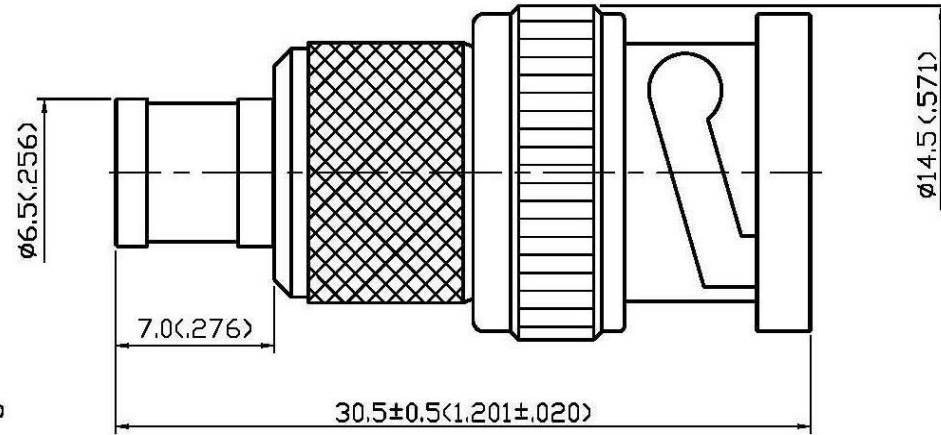


NO	DESCRIPTION	DATE
△1	REDUCE SPRING FROM 2 PCS TO 1 PC	08.15.97'
△2	PARTS 12:BRASS → BERYLLIUM COPPER	04.23.02
△3	BACKGROUND FORMAT UPDATED	03.01.10'
△4	DEL PROOF VOLTAGE WORKING VOLTAGE → VOLTAGE RATING SILICONE → RUBBER -65° C TO +165° C → -20° C TO +80° C	01.04.13'



#### 1.0 ELECTRICAL

- 1.1 FREQUENCY RANGE: DC-4 GHz  
 1.2 NOMINAL IMPEDANCE: 50 OHM  
 1.3 VOLTAGE RATING: 335 VOLTS MAX. △4

#### 2.0 MATERIALS

- 2.1 BODIES: BRASS PER JIS-C3804  
 BERYLLIUM COPPER PER ASTM B196 UNS C17300  
 2.2 CENTER CONTACT: BERYLLIUM COPPER PER ASTM B196 UNS C17300  
 2.3 INSULATION: TEFLON PER ASTM D1457 AND ASTM D1710

#### 3.0 FINISHES AND OTHERS

- 3.1 SEE BELOW TABLE FOR DETAILS.

#### 4.0 MECHANICAL

- 4.1 INTERFACE IN ACCORDANCE WITH: MIL-STD-348A

#### 5.0 ENVIRONMENTAL

- 5.1 OPERATING TEMPERATURE RANGE: -20° C TO +80° C △4

12	CENTER CONTACT	BERYLLIUM COPPER	1	GOLD 30μ" MIN.	△2
11	SHELL	BRASS	1	NICKEL 100μ" MIN.	△4
10	GASKET	RUBBER	1	RED	△4
9	WASHER	BRASS	1	NICKEL	△4
8	SPRING WASHER	SK-5	1	NICKEL	△4
7	WASHER	BRASS	1	NICKEL	△4
6	BODY	BRASS	1	NICKEL 100μ" MIN.	△4
5	INSULATION	TEFLON	1	NONE	
4	INSULATION	TEFLON	1	NONE	
3	CHASSIS	BRASS	1	NICKEL 100μ" MIN.	
2	SHELL	BRASS	1	NICKEL 100μ" MIN.	
1	SPRING	BERYLLIUM COPPER	1	NICKEL	
NO	DESCRIPTION	MATERIAL	Q'TY	FINISH	

APPROVED

by

DATE:



DESCRIPTION		STRAIGHT SMB PLUG-BNC PLUG ADAPTER	
製圖	DRAWN Yoko	TOLERANCE X ±0.2	品名 24-20 T.G.N
檢圖	CHECK Arc	.XX ±0.1	日期 06.25.96
認定	APPROVAL Angela	.XXX ±0.05	版次 A-4
	ANGLE ±5°	單位 mm(in)	REV. A-4
		比例 4:1	
		DWG.NO.	24-0030
		TITLE	ROHS COMPLIANT (50Ω)