

## FEATURES

- 5.08mm pitch
- High quality build materials
- Polarised mouldings in green UL94-V0
- Flame retardant PA66
- Captive screws
- Guided pin alignment
- Operating temperatures of -40°C to +105°C

## RS PRO 5.08mm Pitch, 4 Way PCB Terminal Block

RS Stock No.: 897-1216



RS Professionally Approved Products bring to you professional quality parts across all product categories. Our product range has been tested by engineers and provides a comparable quality to the leading brands without paying a premium price.

## Product Description

Our own range of RS Pro brings you high-quality PCB terminal blocks that feature a 5.08mm pitch. They're constructed from green polarised mouldings that uphold flame retardant UL94-V0 PA66. These 5.08mm terminal blocks have tin plated brass terminals with a M2.5 captive screws for a stable connection. They support cable sizes in the range of 0.33-2mm<sup>2</sup>, either solid or stranded and have a guided pin alignment. These terminal blocks allow you to transfer data, signals and power directly to your PCB safely. They make ideal use as permanent solution however can be used in temporary circuitry.

## General Specifications

<b>Number Of Contact</b>	4
<b>Number Of Rows</b>	1
<b>Mounting Type</b>	Through Hole
<b>Gender</b>	Female
<b>Termination Method</b>	Screw
<b>Type</b>	Plug
<b>Body Orientation</b>	Right Angle
<b>Colour</b>	Green
<b>Material</b>	Polyamide
<b>Flammability Rating</b>	UL 94 V-0
<b>Applications</b>	Wire-to-board applications, HVAC controls, Industrial controls: control and power wiring, Applications subject to certain types of vibration

## Electrical Specifications

<b>Current Rating</b>	15A
<b>Voltage Rating</b>	300V
<b>Insulation Resistance</b>	1000mΩ/1000V
<b>Insulation Withstand Voltage</b>	1500V ac/1MIN
<b>Contact Resistance</b>	20mΩ

## Mechanical Specifications

<b>Pitch</b>	5.08mm
<b>Depth</b>	15mm
<b>Width</b>	17.7mm
<b>Length</b>	20.3mm
<b>Recommended PCB Hole Size</b>	1.7mm
<b>Recommended Tightening Torque</b>	0.4Nm

## Operation Environment Specifications

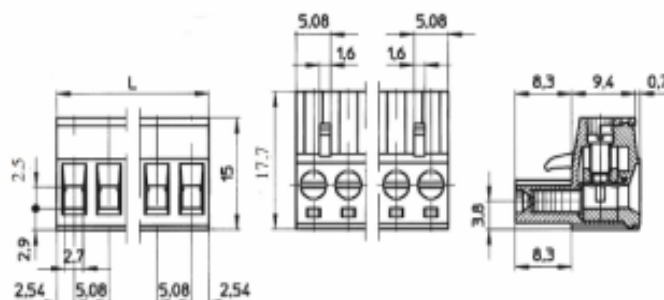
<b>Operating Temperature Range</b>	-40 to 105°C
------------------------------------	--------------

## Approvals

<b>Compliance/Certifications</b>	UL94-V0, 2011/65/EU and 2015/863
----------------------------------	----------------------------------

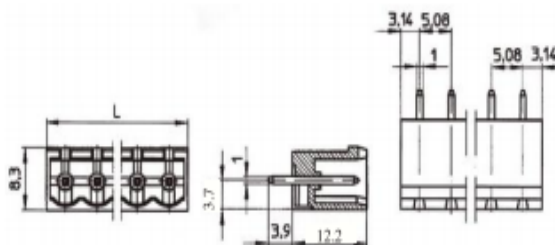


## 5.08mm Pitch Pluggable Rising Clamp Terminal



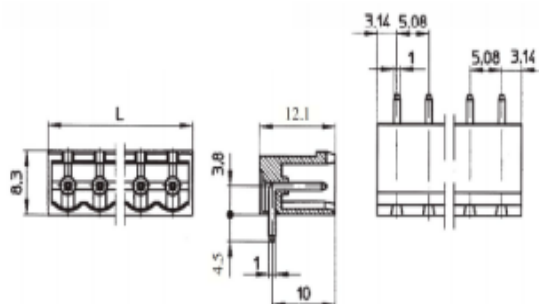
### Female connector

TYPE NO.	POLES	LENGTH
8971219	2	10.2mm
8971212	3	15.2mm
8971216	4	20.3mm
8971225	5	25.4mm
8971228	6	30.5mm
8971222	7	35.6mm
8971231	8	40.6mm
8971234	9	45.7mm



### PCB mounting male vertical (closed end)

TYPE NO.	POLES	LENGTH
8971238	2	11.4mm
8971247	3	16.4mm
8971240	4	21.5mm
8971244	5	26.6mm
8971253	6	31.7mm
8971256	7	36.78mm
8971250	8	41.8mm
8971269	9	46.9mm



### PCB mounting male horizontal (closed end)

TYPE NO.	POLES	LENGTH
8971262	2	11.4mm
8971266	3	16.4mm
8971275	4	21.5mm
8971278	5	26.6mm
8971272	6	31.7mm
8971281	7	36.78mm
8971284	8	41.8mm
8971288	9	46.9mm