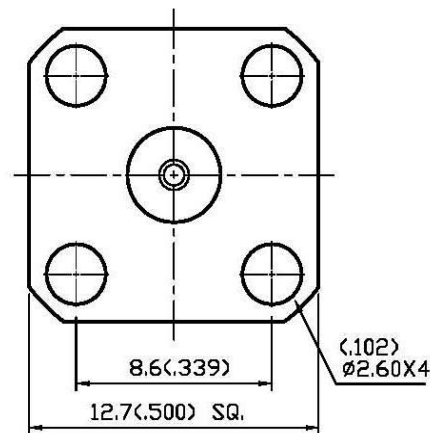
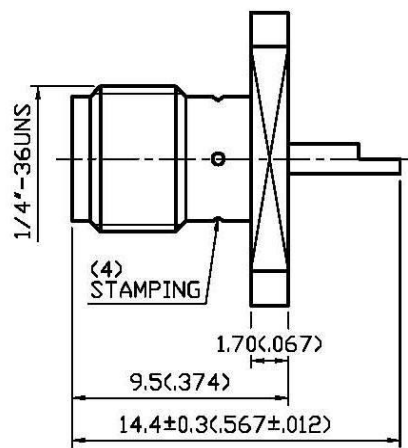


NO	DESCRIPTION	DATE
①	BACKGROUND FORMAT UPDATED	06.18.02'
②	ADD STAMPING MODIFICATION PARTS ① ③	04.30.03'
③	BACKGROUND FORMAT UPDATED	10.14.08'
④	WORKING VOLTAGE → VOLTAGE RATING DEL. PROOF VOLTAGE	12.02.13'



1.0 ELECTRICAL

1.1 FREQUENCY RANGE: DC-18 GHz

1.2 NOMINAL IMPEDANCE: 50 OHMS

1.3 VOLTAGE RATING: 500 VOLTS MAX. ⚠

1.4 VSWR: 1.23 MAX.

2.0 MATERIALS

2.1 BODIES: BRASS PER JIS-C3604

2.2 CENTER CONTACT: BERYLLIUM COPPER PER ASTM B196 UNS C17300

2.3 INSULATION: TEFLON PER ASTM D1457 AND ASTM D1710

3.0 FINISHES AND OTHERS

3.1 SEE BELOW TABLE FOR DETAILS.

4.0 MECHANICAL

4.1 INTERFACE IN ACCORDANCE WITH: MIL-STD-348A

5.0 ENVIRONMENTAL

5.1 OPERATING TEMPERATURE RANGE: -65° C TO +165° C

NO	DESCRIPTION	MATERIAL	Q'TY	FINISH
3	CENTER CONTACT	BERYLLIUM COPPER	1	GOLD 50 μ " MIN.
2	INSULATION	TEFLON	1	NONE
1	BODY	BRASS	1	GOLD 3 μ " MIN.



APPROVED

by _____

DATE: _____

DESCRIPTION		SMA STRAIGHT SQUARE FLANGE JACK RECEPTACLE							
製圖	DRAWN	TOLERANCE	品名	19-13-1	T.G.G	日期	DATE	版次	REV.
	Yoko	.X ±0.2	TITLE	\ROHS COMPLIANT (50Ω)		09.14.95'		A-4	
檢圖	CHECK	.XX ±0.1	單位	UNIT	DWG.NO. 19-0116				
	Arc	.XXX ±0.05	mm(in)	SCALE					
認定	APPROVAL	ANGLE ±5°	比例	SCALE					
	Angela		4:1						