

60mm sq.

San Ace 60

15mm thick (GA type), 15mm thick
 20mm thick (GA type), 20mm thick
25mm thick (S type), 25mm thick (G type)
 25mm thick, 25mm thick (San Cooler)
 38mm thick (GA type), 38mm thick (GV type)
 38mm thick (G type)



General Specifications

- Material Frame: Plastics (Flammability: UL94V-0),
 Impeller: Plastics (Flammability: UL94V-1)
- Expected Life Refer to specifications (L10:Survival rate:90% at 60°C ,
 rated voltage, and continuously run in a free air state)
- Lead Wire ⊕red ⊖black (Sensor) yellow
- Storage Temperature -30°C to +70°C (Non-condensing)

60×60×25mm [Mass : 55g] **S type** **Silent Fan**

Specifications

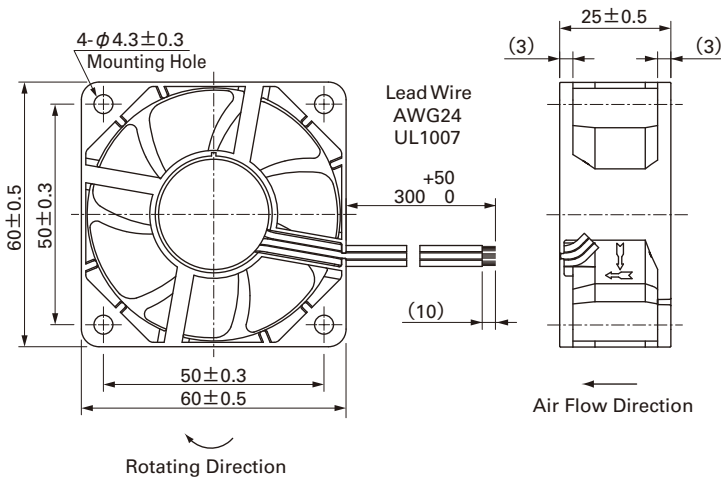
The following nos. **have pulse sensors and ribs**. For ribless, append "1" to the model no.

Model No.	Rated Voltage [V]	Operating Voltage Range [V]	Rated Current [A]	Rated Input [W]	Rated Speed [min ⁻¹]	Max. Air Flow [m ³ /min] [CFM]	Max. Static Pressure [Pa] [inchH ₂ O]	SPL [dB(A)]	Operating Temperature [°C]	Expected Life [h]		
9S0612S401	12	5.0 to 13.8	0.20	2.40	5,000	0.74	26.1	65.7	0.26	31	-10 to +70	40,000
9S0612H401			0.11	1.32	3,900	0.58	20.5	40.0	0.16	24		
9S0612F401		6.0 to 13.8	0.08	0.96	3,300	0.49	17.3	29.3	0.12	20		
9S0612M401			0.07	0.84	2,700	0.40	14.1	19.7	0.08	16		

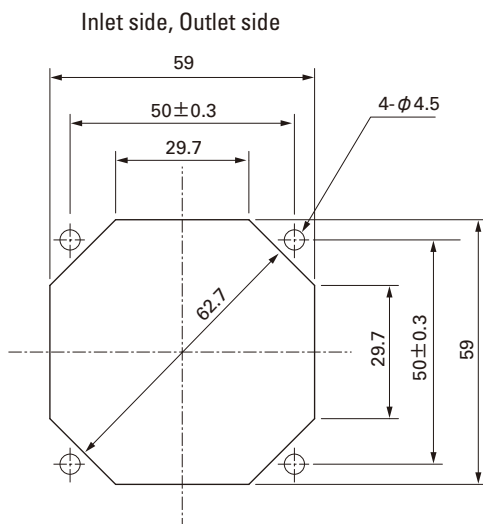
Available options: ⇒ **Without Sensor**

Please inquire as the availability of these functions depend on the model. ⇒ **Lock Sensor** **PWM Control**

Dimensions (Unit : mm) (With ribs)



Reference dimension of mounting holes and vent opening (Unit : mm)

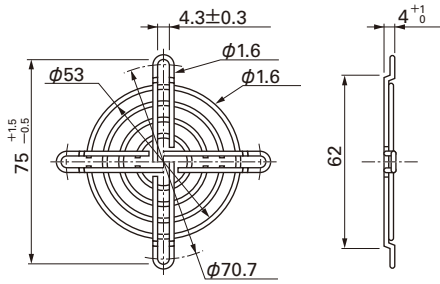


Options (Unit : mm)

Finger guards

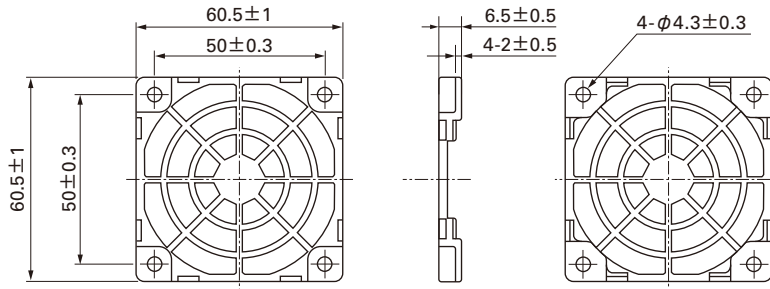
Model : 109-139E Surface treatment : Nickel-chrome plating (silver) Color : 109-139H : Cation electropainting (black)

Inlet side, Outlet side



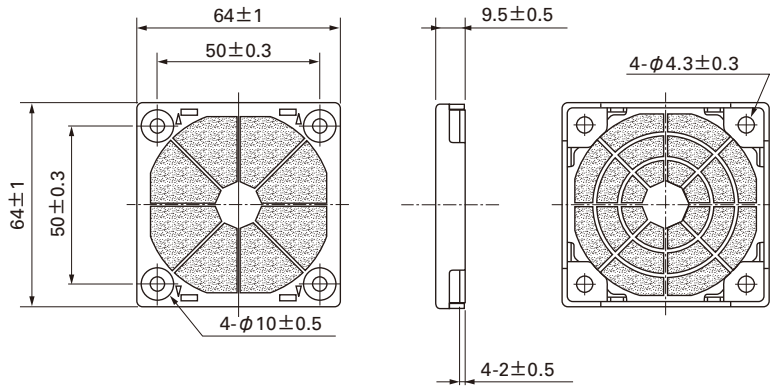
Resin finger guards

Model : 109-1003G

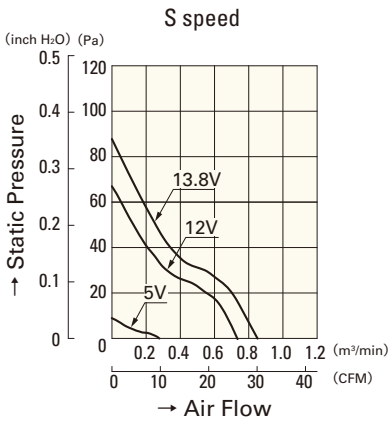


Resin filter kits

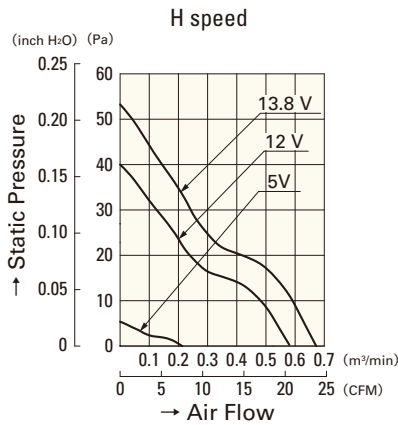
Model : 109-1003F13 (13PPI), 109-1003F20 (20PPI)
: 109-1003F30 (30PPI), 109-1003F40 (40PPI)



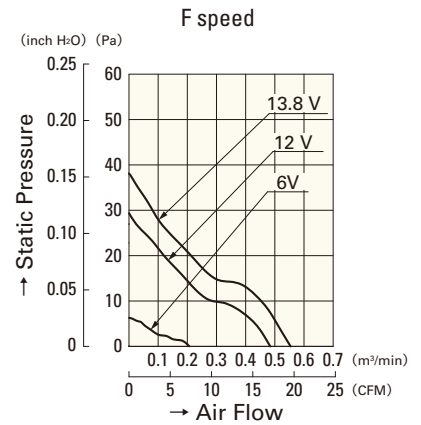
Air Flow - Static Pressure Characteristics



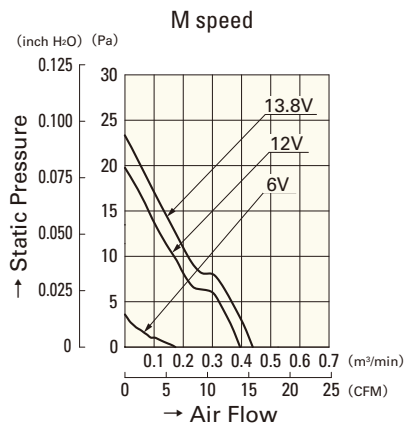
9S0612S401



9S0612H401



9S0612F401



9S0612M401

60mm sq.

San Ace 60

15mm thick (GA type), 15mm thick
 20mm thick (GA type), 20mm thick
 25mm thick (S type), **25mm thick (G type)**
 25mm thick, 25mm thick (San Cooler)
 38mm thick (GA type), 38mm thick (GV type)
 38mm thick (G type)



General Specifications

- Material Frame: Plastics (Flammability: UL94V-0),
 Impeller: Plastics (Flammability: UL94V-0)
- Expected Life Refer to specifications (L10:Survival rate:90% at 60°C ,
 rated voltage, and continuously run in a free air state)
- Lead Wire ⊕red ⊖black (Sensor) yellow (Control) brown
- Storage Temperature -30°C to +70°C (Non-condensing)

60×60×25mm (Mass : 90g) **G type**

Specifications

The following nos. **have PWM controls, pulse sensors, and ribs.** For ribless, append "1" to the model no.

Model No.	Rated Voltage [V]	Operating Voltage Range [V]	PWM duty cycle※ [%]	Rated Current [A]	Rated Input [W]	Rated Speed [min ⁻¹]	Max. Air Flow [m ³ /min] [CFM]	Max. Static Pressure [Pa] [inchH ₂ O]	SPL [dB(A)]	Operating Temperature Range [°C]	Expected Life ^(ref) [h]
9G0612P4S001	12	10.2 to 13.8	100	0.67	8.04	11,000	1.4 49.4	300 1.20	53	-20 to +70	40,000/60°C (70,000/40°C)
			0	0.07	0.84	3,300	0.42 14.8	27 0.11	19		
9G0612P4H001			100	0.50	6.00	9,500	1.21 42.7	224 0.90	49		
			0	0.06	0.72	2,850	0.36 12.7	20.2 0.08	18		
9G0624P4S001	24	20.4 to 27.6	100	0.34	8.16	11,000	1.4 49.4	300 1.20	53		
			0	0.04	0.96	3,300	0.42 14.8	27 0.11	19		
9G0624P4H001			100	0.25	6.00	9,500	1.21 42.7	224 0.90	49		
			0	0.04	0.96	2,850	0.36 12.7	20.2 0.08	18		
9G0648P4S001	48	36 to 72	100	0.18	8.64	11,000	1.4 49.4	305 1.22	53		
			0	0.02	0.96	3,300	0.42 14.8	27.4 0.11	19		

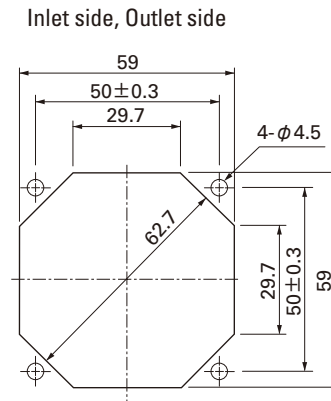
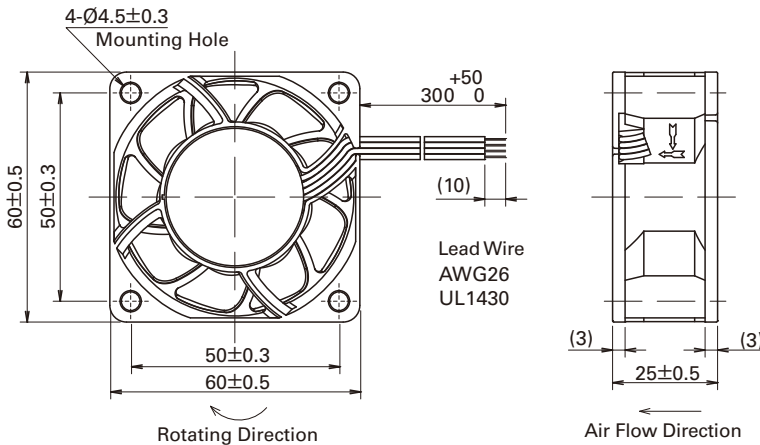
Note: Expected life at 40°C ambient is just reference value.

※PWM Frequency : 25kHz

- Available options: ⇒ **Without Sensor** **Pulse Sensor**

Dimensions (Unit : mm) (With ribs)

Reference dimension of mounting holes and vent opening (Unit : mm)



Options (Unit : mm)

Finger guards

Model : 109-139E Surface treatment : Nickel-chrome plating (silver)
 : 109-139H : Cation electropainting (black)

Resin finger guards

Model : 109-1003G

Inlet side, Outlet side

